

Application Note

Implementing 4-20 mA Sensor Interface

AN-CM-229

Abstract

This application note describes how to implement a 4-20 mA interface for measuring the output of an oxygen sensor to detect out-of-range oxygen concentrations.

This application note comes complete with design files which can be found in the References section.

Implementing 4-20 mA Sensor Interface

Contents

Abstract	1
Contents	2
Figures	2
Terms and Definitions	3
1 References	3
2 Introduction	4
3 4-20 mA Output General Characteristics	4
4 Schematic Diagram	6
5 Implementation	7
6 Testing	12
7 Conclusion	13
Revision History	14

Figures

Figure 1: 4-20 mA Loop Schematic.....	5
Figure 2: Schematic Diagram of Electronic Circuit Interface.....	5
Figure 3: Schematic Diagram of Sensor Interface	6
Figure 4: Schematic Diagram of Sensor Interface	7
Figure 5: Oxygen Concentration Level Block Diagram	7
Figure 6: PGA Configuration	8
Figure 7: ADC Configuration	8
Figure 8: System Diagram.....	9
Figure 9: System Diagram.....	9
Figure 10: LUT4 Configuration	10
Figure 11: PIN8 Configuration.....	11
Figure 12: PIN18 Configuration.....	11
Figure 13: PIN19 Configuration.....	11
Figure 14: Matrix0 Block Diagram	11
Figure 15: Matrix 1 Block Diagram	12
Figure 16: Pin 18 Oxygen Concentration Low-Level Detection	13
Figure 17: Pin 19 Oxygen Concentration High-Level Detection.....	13

Implementing 4-20 mA Sensor Interface

Terms and Definitions

ADC	analog to digital converter
PGA	programmable gain amplifier
IC	integrated circuit

1 References

For related documents and software, please visit:

[GreenPAK™ Programmable Mixed-Signal Products | Renesas](#)

Download our free [GreenPAK™ Designer](#) software [1] to open the .gp files [2] and view the proposed circuit design. Use the [GreenPAK development tools](#) [3] to freeze the design into your own customized IC in a matter of minutes. Renesas Electronics provides a complete library of application notes [4] featuring design examples as well as explanations of features and blocks within the IC.

- [1] [GreenPAK Designer Software](#), Software Download and User Guide, Renesas Electronics
- [2] [AN-CM-229 Implementing 4-20 mA Sensor Interface.gp](#), [GreenPAK Design File](#), Renesas Electronics
- [3] [GreenPAK Development Tools](#), [GreenPAK Development Tools Webpage](#), Renesas Electronics
- [4] [GreenPAK Application Notes](#), [GreenPAK Application Notes Webpage](#), Renesas Electronics

Implementing 4-20 mA Sensor Interface

2 Introduction

Analog 4–20 mA current loops are one of the most used communication buses in industrial environments, where environmental variables, process sensing, and control is required. This bus type is named after its maximum and minimum current values across the line; 4 mA and 20 mA. Current loops are used not only for receiving information from sensors and field instrumentation, they are also used for transmitting control signals to actuators or other devices to regulate a controlled action.

Current loops, such as 4-20 mA, have been used since the 1950s in many industrial applications. The bus is appealing due to the low implementation cost, high noise immunity due to the non-voltage dependence, and the ability to be used effectively over long distances.

These characteristics are the main reasons for using a 4-20 mA loop for signaling and control. Because of this, there are several industrial sensors which implement a 4-20 mA output to indicate their measurements. Field instrumentation sensors such as pressure sensors, temperature sensors, level or flow sensors, pH sensors, and gas sensors implement a 4-20 mA connection to their outputs. Also, there are several actuators, such as valves, which can be controlled via a 4-20 mA loop.

There are several different brands of commercial IC's that implement a 4-20 mA bus receiver.

In this application note, a [GreenPAK](#) is designed as an oxygen sensor with a 4-20 mA output, and is used to detect dangerous concentrations of oxygen for human beings in industrial environments. The app note implements the analog measurement and digital logic required to implement an integrated concentration-level alarm. This application also has a configurable limit value to detect out-of-level concentrations. To implement this 4-20 mA bus receiver, a SLG46621V is used.

3 4-20 mA Output General Characteristics

As described before, in industrial and noisy environments, analog 4–20 mA current loops are one of the most used buses for electronic measurement and control. These buses are used not only for controlling valves or other actuators, they are also used for transmitting sensor information from field instrumentation to the control center.

The main advantages of the 4-20 mA current loop are:

- The data transmission is not affected by the voltage drop over the interconnecting wiring, meaning it can be used over long distances with much less degradation of the signal.
- It allows the system to implement a self-monitoring routine, because currents less than 4 mA and higher than 20 mA can indicate a fault in the circuit
- The 4-20 mA current loop, often, is used also to power the remote device.
- The "live" or "elevated" zero of 4 mA allows powering of the device even with no process signal output from the field transmitter.

The 4-20 mA communication bus is based on the principles of the Kirchhoff's current law, which states that the sum of currents flowing toward a point is equal to the sum of currents flowing away from that point. With this principle, all current present at the beginning of a loop must reach the end.

This law is the basic principle to explain the behavior of the 4-20 mA loop. The current at any position of the system can be measured and found to be the same result. This is also the main reason for using current loops with low impedance within industrial applications; they provide the benefit of obtaining a longer data path with better noise immunity. A scheme of a 4-20 mA loop can be seen in [Figure 1](#).

Implementing 4-20 mA Sensor Interface

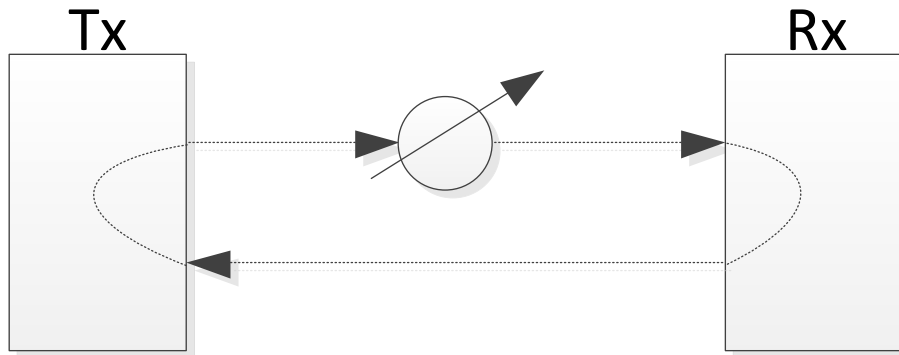


Figure 1: 4-20 mA Loop Schematic

One of the most commonly used and simple circuits for measuring signals of a 4-20 mA current loop is the shunt resistor circuit.

This circuit is based on Ohm's Law. The selection of the sense resistor value is made by considering the maximum voltage that our reception device can deal with, assuming that the sense resistor is much lower than 200 kΩ. With the maximum voltage known, the resistor is then calculated by the following expression:

$$R_{sense} = \frac{V_{max}}{20mA}$$

In order to not load the interface circuit, it's recommended to implement an electronic buffer based on an operation amplifier. An electronic circuit that is commonly used for 4-20 mA interface to digital devices with analog inputs is shown in [Figure 2](#).

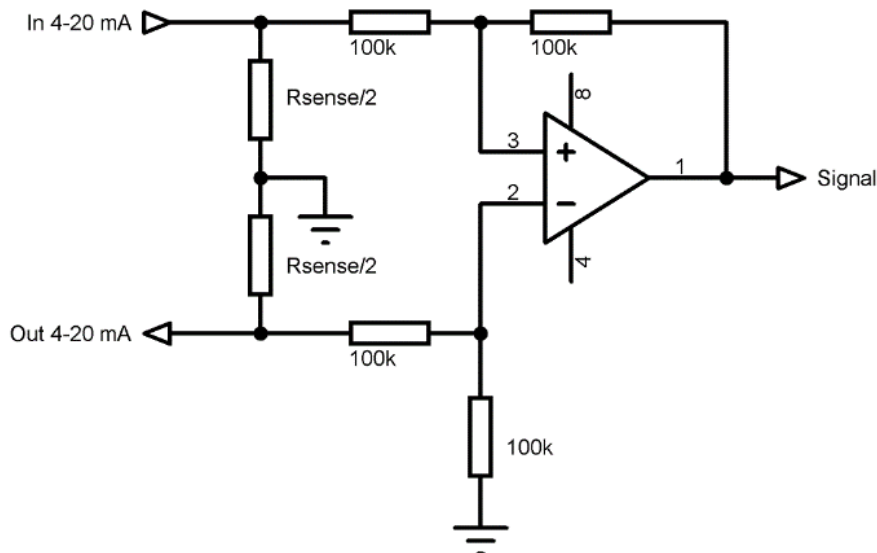


Figure 2: Schematic Diagram of Electronic Circuit Interface

The shunt resistor is divided in two half-sections. This allows the circuit to prevent the voltage becoming higher than the desired values by fixing the intermediate voltage of the shunt resistor to a local ground. The differential shunt resistor voltage is converted to a single ended voltage with the operational amplifier having a differential amplifier configuration at unity gain. Resistor values of the operational amplifier circuit are selected to not load the current loop.

Implementing 4-20 mA Sensor Interface

4 Schematic Diagram

To show how a **GreenPAK** can be used for interfacing a 4-20 mA bus, this app note implements an oxygen concentration level alarm useful for industrial applications. In some environments, detecting dangerous oxygen concentrations for human beings is an important safety task.

As everyone knows, oxygen is a vital gas and a typical oxygen concentration is 20.9% v/v. If an environment has an oxygen concentration lower than 19.5 % v/v, it can be considered as an environment with oxygen deficiency. Oxygen concentrations lower than 16 % v/v is unsafe for human beings.

Additionally, higher concentrations of oxygen can also be a risk for humans. If the oxygen concentration rises, material and gas inflammability increase. As an example, if the oxygen concentration is higher than 24 % v/v, some elements such as clothes can start burning spontaneously.

To implement an oxygen concentration alarm, a sensor from Honeywell is used. The MF020-2-LC3 sensor has a measuring range from 0.1 % v/v to 25 % v/v with a 4-20 mA analog output and a power supply of 24 VDC.

To measure the sensor output with a Renesas SLG46621 IC, the Programmable Gain Amplifier (PGA) and Analog to Digital Converter (ADC) of the IC are used. To do this, the maximum input voltage of the analog converter must be considered.

If the ADC is used with an internal voltage reference of 1.2 V, and with unity gain, the maximum input voltage for the converter is 1 V. By applying the R_{SENSE} expression shown in previous section, the resistor value needed for the shunt is:

$$R_{SENSE} = \frac{1}{20 \text{ mA}} = 50 \Omega$$

With the selected R_{SENSE} , the output voltages that will be obtained when the current loop has 4 mA and 20 mA are 200 mV and 1 V respectively. The minimum voltage level is compliant with the minimum input voltage to the SLG46621 ADC, which is 30 mV.

In **Figure 3**, the electronic circuit that must be used for interfacing the MF020-2-LC3 sensor to the SLG46621 is shown. The operational amplifier used for this application is the SLG88103.

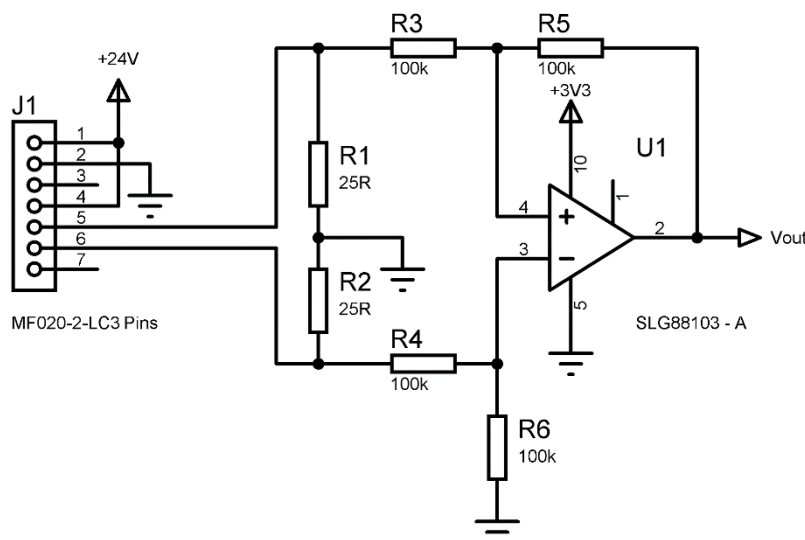


Figure 3: Schematic Diagram of Sensor Interface

Implementing 4-20 mA Sensor Interface

The V_{OUT} signal of the 4-20 mA output is connected to the Analog input of the SLG46621 chip, as seen in Figure 3.

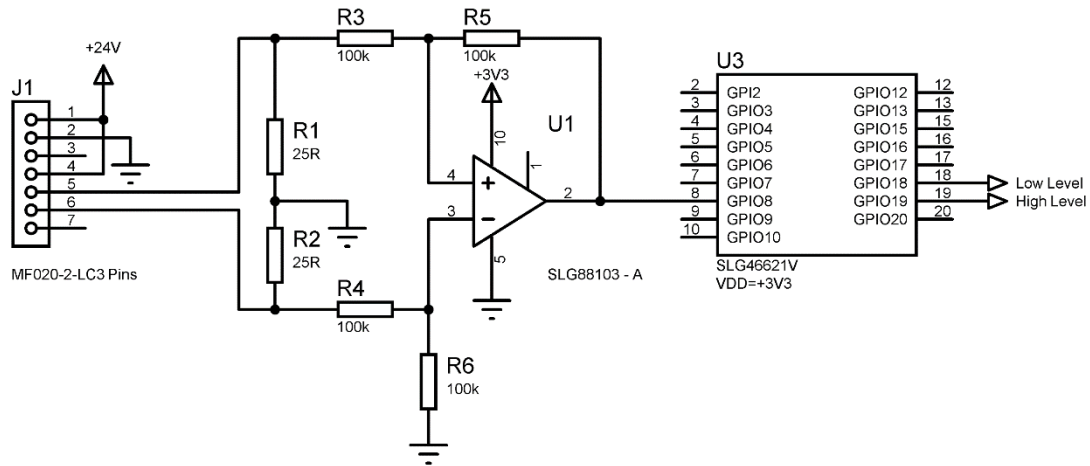


Figure 4: Schematic Diagram of Sensor Interface

5 Implementation

The implementation of the 4-20 mA interface for an oxygen concentration level alarm is made with an SLG46621V. This GreenPAK IC has one Analog to Digital Converter, and several Digital Comparators that can be used for analyzing the voltage at the input of the ADC. To configure the comparison levels, the internal comparator registers are used. A block diagram of the implementation can be seen in Figure 5.

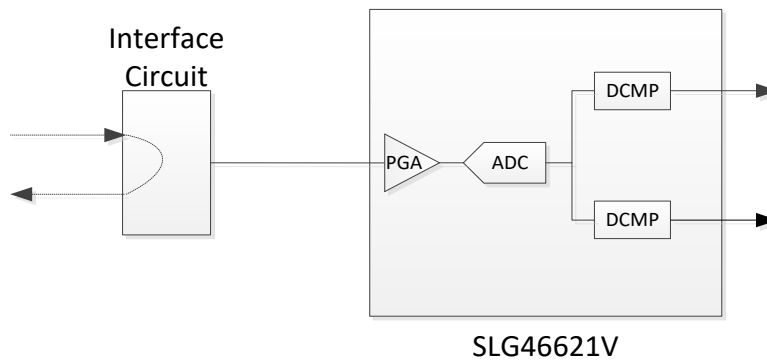


Figure 5: Oxygen Concentration Level Block Diagram

The allowed upper and lower oxygen concentrations are configured in the registers. This is done by considering that the ADC has an 8-bit resolution. The maximum input voltage (1 V) is converted to 255, which corresponds to an oxygen concentration of 25% v/v. With this consideration, the comparison value that must be configured for the desired concentration can be calculated as follows.

$$COMP_{VALUE} = \frac{Concentration[\%]}{25\%} 255$$

In this case, the minimum concentration that is required is 16%, so the corresponding register must be configured to 163. The maximum concentration allowed is 22%, so the corresponding register must be configured to 225.

Implementing 4-20 mA Sensor Interface

To implement the analog to digital conversion, the ADC and PGA of the SLG46621V must be configured. Figure 6 shows the PGA configuration and it is configured as single-end ADC with unity gain.

Figure 6: PGA Configuration

The PGA defines the analog input to be PIN 8 of the GreenPAK™. The ADC complementary configuration defines the internal RC oscillator as the clock source and the internal 1.2 V regulator as the voltage reference. This can be seen in Figure 7.

Figure 7: ADC Configuration

Implementing 4-20 mA Sensor Interface

The ADC output is compared with the configured values in the DCMP0 and DCMP1. In [Figure 8](#) and [Figure 9](#) the configuration of the DCMP's can be seen. They are configured to compare the ADC output value with the internal registers.

DCMP0/PWM0	
DCMP/PWM power register:	Power on
Function selection:	DCMP
PD sync to clock:	Off
Clock source:	OSC X CLK
Clock invert:	Disable
PWM & ADC clock source :	RC OSC
PWM data sync with SPI clock:	Disable
Duty cycle:	0% - 99.6%
PWM deadband time:	10 ns
Register 0: MTRX SEL: (0:0)	225
Register 1: MTRX SEL: (0:1)	0
Register 2: MTRX SEL: (1:0)	0
Register 3: MTRX SEL: (1:1)	163
Connections	
IN+ selector:	ADC [7:0]
IN- selector:	Register 0
Apply	

Figure 8: System Diagram

DCMP1/PWM1	
DCMP/PWM power register:	Power on
Function selection:	DCMP
PD sync to clock:	Off
Clock source:	OSC X CLK
Clock invert:	Disable
PWM & ADC clock source :	RC OSC
PWM data sync with SPI clock:	Disable
Duty cycle:	0% - 99.6%
PWM deadband time:	10 ns
Register 0: MTRX SEL: (1:1)	225
Register 1: MTRX SEL: (1:0)	0
Register 2: MTRX SEL: (0:1)	0
Register 3: MTRX SEL: (0:0)	163
Connections	
IN+ selector:	ADC [7:0]
IN- selector:	Register selected th
Apply	

Figure 9: System Diagram

The OUT+ output of each digital comparator will be high when the IN+ input of the comparator is higher than the IN- input. In this case, the DCMP0 OUT+ output will be high when the ADC is higher than the configured value. This comparator is used as the high-level detector, so this OUT+ signal is connected directly to PIN 19 and the Register 0 is configured to 225.

The DCMP1 OUT+ output will be high when the ADC is higher than the configured value. Because this DCMP is used as the low-level detector, the OUT+ output must be inverted to be connected to PIN 18. This is done with 2-bit LUT4, whose configuration is shown on [Figure 10](#). This DCMP compares the ADC conversion with the value configured on Register 3.

Implementing 4-20 mA Sensor Interface

2-bit LUT4				
IN3	IN2	IN1	IN0	OUT
0	0	0	0	1
0	0	0	1	0
0	0	1	0	0
0	0	1	1	0
0	1	0	0	0
0	1	0	1	0
0	1	1	0	0
0	1	1	1	0
1	0	0	0	0
1	0	0	1	0
1	0	1	0	0
1	0	1	1	0
1	1	0	0	0
1	1	0	1	0
1	1	1	0	0
1	1	1	1	0

Standard gates

Inverter ▼

Regular shape

All to 0

All to 1

Invert

Apply

Figure 10: LUT4 Configuration

Pins 18 and 19 are the level detector outputs, representing the low-level detector and the high-level detector respectively. Pin 8 is the analog input. On [Figure 11](#), [Figure 12](#) and [Figure 13](#), their configuration is shown.

Implementing 4-20 mA Sensor Interface

PIN 8

I/O selection: Analog input/output

Input mode: Analog input/output
OE = 0

Output mode: Analog input/output
OE = 1

Resistor: Floating

Resistor value: Floating

Reset: None

Bypass: None

Edge detect mode: None

Information

Electrical Specifications

	1.8 V min/max	3.3 V min/max	5.0 V min/max
-	-/-	-/-	-/-
-	-/-	-/-	-/-
-	-/-	-/-	-/-
-	-/-	-/-	-/-
-	-/-	-/-	-/-
-	-/-	-/-	-/-
-	-/-	-/-	-/-

Apply

PIN 18

I/O selection: Digital output

Input mode: None
OE = 0

Output mode: 1x push pull
OE = 1

Resistor: Floating

Resistor value: Floating

Reset: None

Bypass: None

Edge detect mode: None

Information

Electrical Specifications

	1.8 V min/max	3.3 V min/max	5.0 V min/max
V _{OH} (V)	1.680/-	2.713/-	4.159/-
V _{OL} (V)	-/0.015	-/0.228	-/0.270
I _{OH} (mA)	1.027/-	5.608/-	20.337/-
I _{OL} (mA)	0.917/-	4.875/-	6.996/-
-	-/-	-/-	-/-
-	-/-	-/-	-/-

Apply

PIN 19

I/O selection: Digital output

Input mode: None
OE = 0

Output mode: 1x push pull
OE = 1

Resistor: Floating

Resistor value: Floating

Reset: None

Bypass: None

Edge detect mode: None

Information

Electrical Specifications

	1.8 V min/max	3.3 V min/max	5.0 V min/max
V _{OH} (V)	1.680/-	2.713/-	4.159/-
V _{OL} (V)	-/0.015	-/0.228	-/0.270
I _{OH} (mA)	1.027/-	5.608/-	20.337/-
I _{OL} (mA)	0.917/-	4.875/-	6.996/-
-	-/-	-/-	-/-
-	-/-	-/-	-/-

Apply

Figure 11: PIN8 Configuration

Figure 12: PIN18 Configuration

Figure 13: PIN19 Configuration

The entire Oxygen Level Concentration alarm implementation is shown in Figure 14 and Figure 15, where Matrix 0 and Matrix 1 of the SLG46621V GreenPAK are shown.

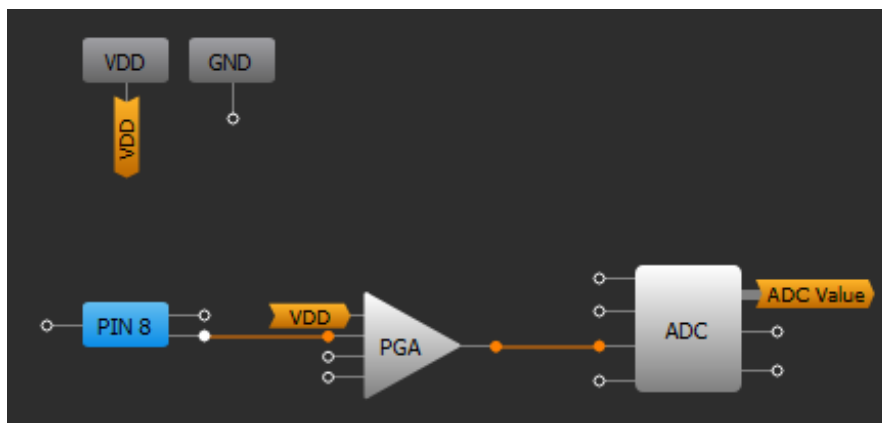


Figure 14: Matrix0 Block Diagram

Implementing 4-20 mA Sensor Interface

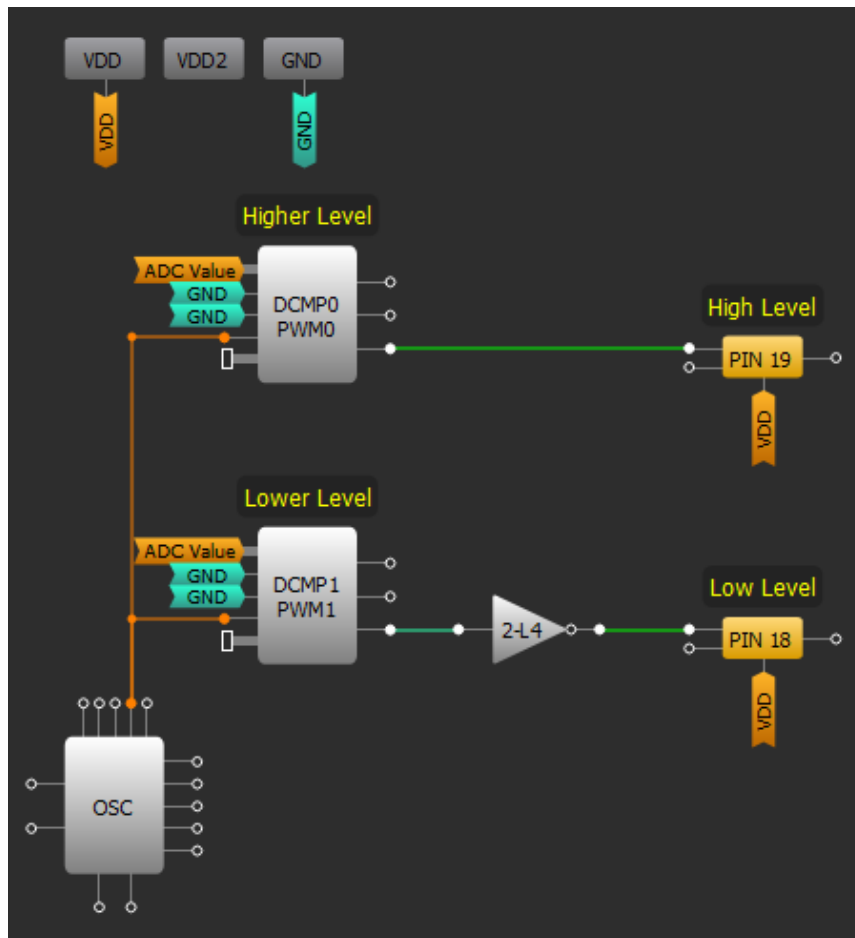


Figure 15: Matrix 1 Block Diagram

6 Testing

To test the implementation, a simulated 4-20 mA output of the oxygen sensor was made. This output has the full range of the sensor output and it's represented as a triangular wave. The current is linearly increased and decreased to show the change in oxygen concentration.

The simulated signal was connected to the interface circuit so it can be measured with the SLG46621V. To analyze the results, pins 18 and 19 were logged with an oscilloscope.

In [Figure 16](#), the simulated sensor output can be seen with the low-level indication of the SLG46621V. It shows how the output of pin 18 holds low when the sensor output is lower than the configured value.

Implementing 4-20 mA Sensor Interface

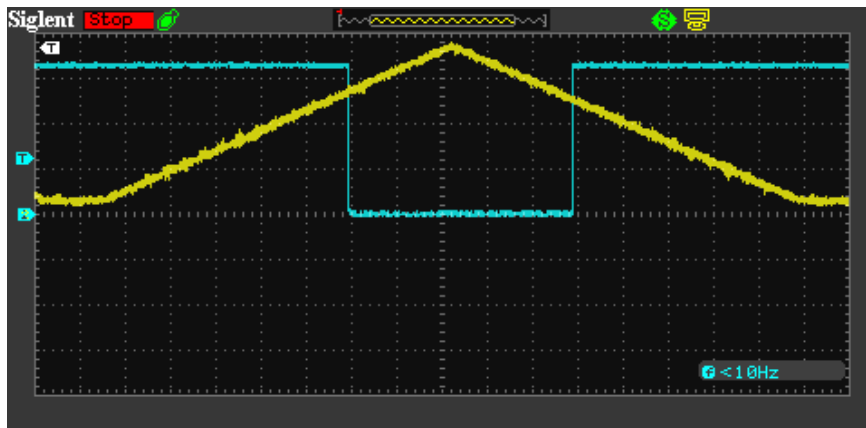


Figure 16: Pin 18 Oxygen Concentration Low-Level Detection

In [Figure 17](#), the simulated sensor output can be seen with the high-level indication of the SLG46621V. It shows how the output of pin 19 holds high when the sensor output is higher than the configured value.

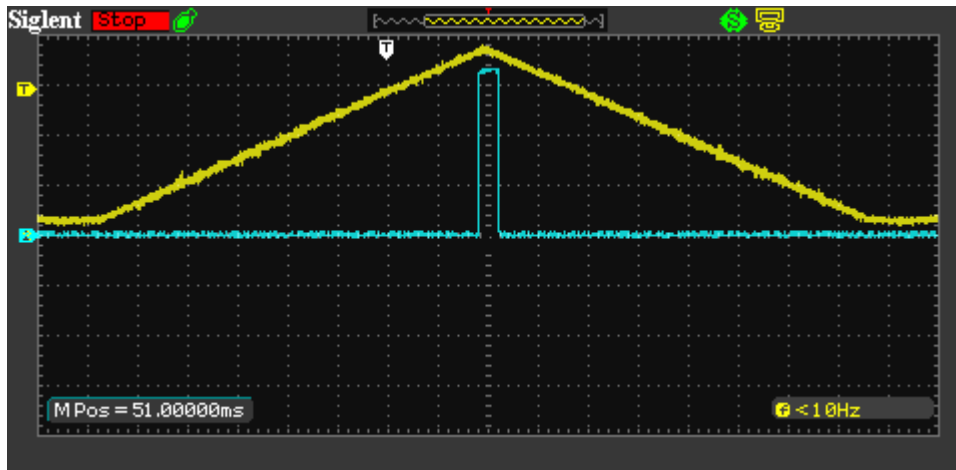


Figure 17: Pin 19 Oxygen Concentration High-Level Detection

7 Conclusion

In this application note, we implemented a 4-20 mA interface for measuring the output of an oxygen sensor to detect out-of-range oxygen concentrations. 4-20 mA current loops are used in most industrial sensors and actuators because of the buses' high noise immunity and compatibility with long distance wiring.

There are several methods of interfacing to a 4-20 mA output. In this application note, one of the simplest and most commonly used methods of interpreting a 4-20 mA line is shown. It is also described how the signal can be conditioned to be measured with a [GreenPAK](#) by using the integrated Analog to Digital Converter.

The size of the OpAmps and [GreenPAK](#) measurement system is smaller than many other implementations, and it can be further reduced by incorporating more of the logic for the specific application into the SLG46621V.

Implementing 4-20 mA Sensor Interface

Revision History

Revision	Date	Description
1.0	06-Mar-2018	Initial version

IMPORTANT NOTICE AND DISCLAIMER

RENESAS ELECTRONICS CORPORATION AND ITS SUBSIDIARIES (“RENESAS”) PROVIDES TECHNICAL SPECIFICATIONS AND RELIABILITY DATA (INCLUDING DATASHEETS), DESIGN RESOURCES (INCLUDING REFERENCE DESIGNS), APPLICATION OR OTHER DESIGN ADVICE, WEB TOOLS, SAFETY INFORMATION, AND OTHER RESOURCES “AS IS” AND WITH ALL FAULTS, AND DISCLAIMS ALL WARRANTIES, EXPRESS OR IMPLIED, INCLUDING, WITHOUT LIMITATION, ANY IMPLIED WARRANTIES OF MERCHANTABILITY, FITNESS FOR A PARTICULAR PURPOSE, OR NON-INFRINGEMENT OF THIRD-PARTY INTELLECTUAL PROPERTY RIGHTS.

These resources are intended for developers who are designing with Renesas products. You are solely responsible for (1) selecting the appropriate products for your application, (2) designing, validating, and testing your application, and (3) ensuring your application meets applicable standards, and any other safety, security, or other requirements. These resources are subject to change without notice. Renesas grants you permission to use these resources only to develop an application that uses Renesas products. Other reproduction or use of these resources is strictly prohibited. No license is granted to any other Renesas intellectual property or to any third-party intellectual property. Renesas disclaims responsibility for, and you will fully indemnify Renesas and its representatives against, any claims, damages, costs, losses, or liabilities arising from your use of these resources. Renesas' products are provided only subject to Renesas' Terms and Conditions of Sale or other applicable terms agreed to in writing. No use of any Renesas resources expands or otherwise alters any applicable warranties or warranty disclaimers for these products.

(Disclaimer Rev.1.01)

Corporate Headquarters

TOYOSU FORESIA, 3-2-24 Toyosu,
Koto-ku, Tokyo 135-0061, Japan
www.renesas.com

Trademarks

Renesas and the Renesas logo are trademarks of Renesas Electronics Corporation. All trademarks and registered trademarks are the property of their respective owners.

Contact Information

For further information on a product, technology, the most up-to-date version of a document, or your nearest sales office, please visit www.renesas.com/contact-us/.