

## Description

The 9FGV0841 is a member of IDT's SOC-friendly 1.8V very low-power PCIe clock family. It has integrated output terminations providing  $Z_o = 100\Omega$  for direction connection to  $100\Omega$  transmission lines. The device has 8 output enables for clock management, 2 different spread spectrum levels in addition to spread off, and 2 selectable SMBus addresses.

## Typical Applications

- PCIe Gen1-4 clock generation for Riser Cards
- Storage
- Networking
- JBOD
- Communications
- Access Points

## Output Features

- Eight 100MHz Low-Power HCSL (LP-HCSL) DIF pairs with  $Z_o = 100\Omega$
- One 1.8V LVCMOS REF output with Wake-On-LAN (WOL) support

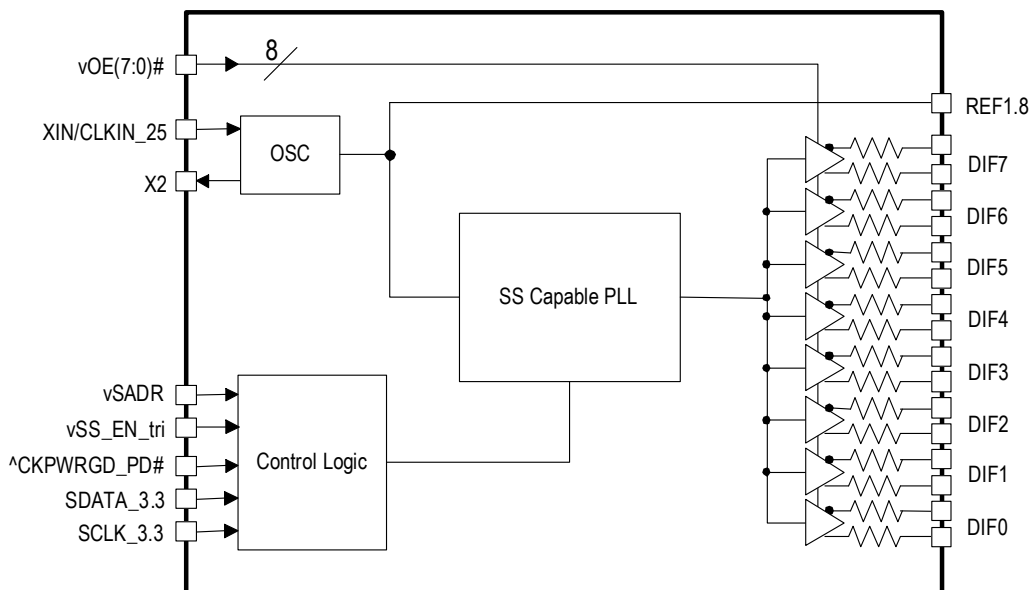
## Key Specifications

- DIF cycle-to-cycle jitter < 50ps
- DIF output-to-output skew < 50ps
- DIF phase jitter is PCIe Gen1-4 compliant
- REF phase jitter is < 1.5ps RMS

## Features

- Direct connection to  $100\Omega$  transmission lines; saves 32 resistors compared to standard PCIe devices
- 62mW typical power consumption; reduced thermal concerns
- Outputs can optionally be supplied from any voltage between 1.05V and 1.8V; maximum power savings
- OE# pins; support DIF power management
- LP-HCSL differential clock outputs; reduced power and board space
- Programmable slew rate for each output; allows tuning for various line lengths
- Programmable output amplitude; allows tuning for various application environments
- DIF outputs blocked until PLL is locked; clean system start-up
- Selectable 0%, -0.25% or -0.5% spread on DIF outputs; reduces EMI
- External 25MHz crystal; supports tight ppm with 0 ppm synthesis error
- Configuration can be accomplished with strapping pins; SMBus interface not required for device control
- 3.3V tolerant SMBus interface works with legacy controllers
- Selectable SMBus addresses; multiple devices can easily share an SMBus segment
- Space saving  $6 \times 6$  mm 48-VFQFPN; minimal board space
- Available in Commercial ( $0^\circ$  to  $+70^\circ\text{C}$ ), Industrial ( $-40^\circ\text{C}$  to  $+85^\circ\text{C}$ ) and Automotive Grade 2 ( $-40^\circ\text{C}$  to  $+105^\circ\text{C}$ ) temperature ranges

## Block Diagram

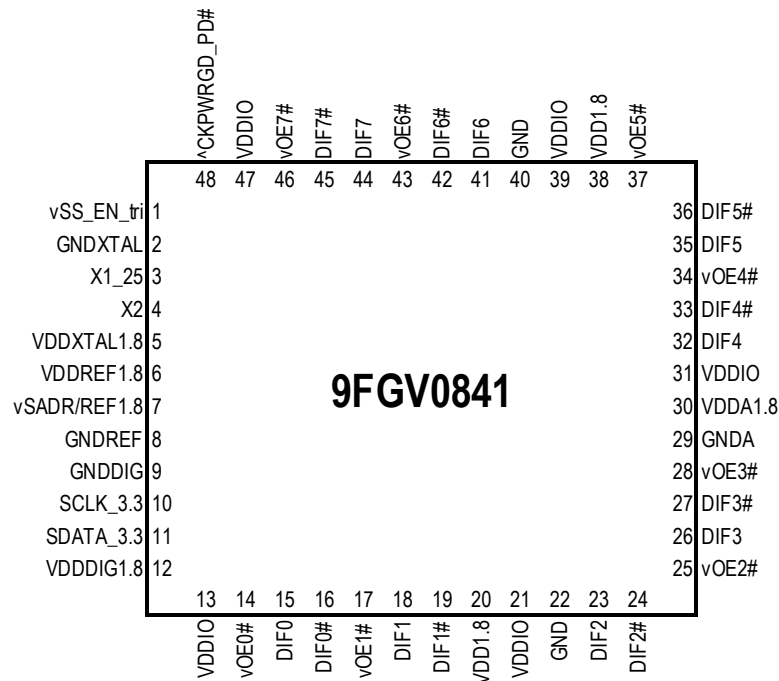


# Contents

Description .....	1
Typical Applications .....	1
Output Features .....	1
Key Specifications .....	1
Features .....	1
Block Diagram .....	1
Pin Assignments .....	3
Pin Descriptions .....	3
Power Management .....	5
Absolute Maximum Ratings .....	6
Thermal Characteristics .....	6
Electrical Characteristics .....	7
Clock Periods .....	11
Crystal Characteristics .....	12
I <sub>Test</sub> Loads .....	12
Alternate Terminations .....	13
General SMBus Serial Interface Information .....	14
How to Write .....	14
How to Read .....	15
Package Outline Drawings .....	18
Marking Diagrams .....	18
Ordering Information .....	19
Revision History .....	19

## Pin Assignments

Figure 1. Pin Assignments for 6 × 6 mm 48-VFQFPN Package – Top View



6 x 6 mm 48-VFQFPN, 0.4mm pitch

- vv prefix indicates internal 60kOhm pull-down resistor
- v prefix indicates internal 120kOhm pull-down resistor
- ^ prefix indicates internal 120kOhm pull-up resistor

## Pin Descriptions

Table 1. Pin Descriptions

Number	Name	Type	Description
1	vSS_EN_tri	Latched In	Latched select input to select spread spectrum amount at initial power-up: 1 = -0.5% spread, M = -0.25%, 0 = spread off
2	GNDXTAL	GND	Ground for XTAL.
3	X1_25	Input	Crystal input, nominally 25.00MHz.
4	X2	Output	Crystal output.
5	VDDXTAL1.8	Power	Power supply for XTAL, nominal 1.8V.
6	VDDREF1.8	Power	VDD for REF output, nominal 1.8V.
7	vSADR/REF1.8	Latched I/O	Latch to select SMBus address/1.8V LVCMOS copy of X1/REFIN pin.
8	GNDREF	GND	Ground pin for the REF outputs.
9	GNDDIG	GND	Ground pin for digital circuitry.
10	SCLK_3.3	Input	Clock pin of SMBus circuitry, 3.3V tolerant.
11	SDATA_3.3	I/O	Data pin for SMBus circuitry, 3.3V tolerant.
12	VDDDIG1.8	Power	1.8V digital power (dirty power).
13	VDDIO	Power	Power supply for differential outputs.

**Table 1. Pin Descriptions (Cont.)**

Number	Name	Type	Description
14	vOE0#	Input	Active low input for enabling DIF pair 0. This pin has an internal pull-down. 1 =disable outputs, 0 = enable outputs
15	DIF0	Output	Differential true clock output.
16	DIF0#	Output	Differential complementary clock output.
17	vOE1#	Input	Active low input for enabling DIF pair 1. This pin has an internal pull-down. 1 =disable outputs, 0 = enable outputs
18	DIF1	Output	Differential true clock output.
19	DIF1#	Output	Differential complementary clock output.
20	VDD1.8	Power	Power supply, nominal 1.8V.
21	VDDIO	Power	Power supply for differential outputs.
22	GND	GND	Ground pin.
23	DIF2	Output	Differential true clock output.
24	DIF2#	Output	Differential complementary clock output.
25	vOE2#	Input	Active low input for enabling DIF pair 2. This pin has an internal pull-down. 1 =disable outputs, 0 = enable outputs
26	DIF3	OUT	Differential true clock output.
27	DIF3#	OUT	Differential complementary clock output.
28	vOE3#	Input	Active low input for enabling DIF pair 3. This pin has an internal pull-down. 1 =disable outputs, 0 = enable outputs
29	GNDA	GND	Ground pin for the PLL core.
30	VDDA1.8	Power	1.8V power for the PLL core.
31	VDDIO	Power	Power supply for differential outputs.
32	DIF4	Output	Differential true clock output.
33	DIF4#	Output	Differential complementary clock output.
34	vOE4#	Input	Active low input for enabling DIF pair 4. This pin has an internal pull-down. 1 =disable outputs, 0 = enable outputs
35	DIF5	Output	Differential true clock output.
36	DIF5#	Output	Differential complementary clock output.
37	vOE5#	Input	Active low input for enabling DIF pair 5. This pin has an internal pull-down. 1 =disable outputs, 0 = enable outputs
38	VDD1.8	Power	Power supply, nominal 1.8V.
39	VDDIO	Power	Power supply for differential outputs.
40	GND	GND	Ground pin.
41	DIF6	Output	Differential true clock output.
42	DIF6#	Output	Differential complementary clock output.
43	vOE6#	Input	Active low input for enabling DIF pair 6. This pin has an internal pull-down. 1 =disable outputs, 0 = enable outputs
44	DIF7	Output	Differential true clock output.

**Table 1. Pin Descriptions (Cont.)**

Number	Name	Type	Description
45	DIF7#	Output	Differential complementary clock output.
46	vOE7#	Input	Active low input for enabling DIF pair 7. This pin has an internal pull-down. 1 =disable outputs, 0 = enable outputs
47	VDDIO	Power	Power supply for differential outputs.
48	^CKPWRGD_PD#	Input	Input notifies device to sample latched inputs and start up on first high assertion. Low enters Power Down Mode, subsequent high assertions exit Power Down Mode. This pin has internal pull-up resistor.

## Power Management

**Table 2. Power Management**

CKPWRGD_PD#	SMBus OE bit	DIFx			REF
		OEx#	True Output	Complementary Output	
0	X	X	Low	Low	Hi-Z <sup>[a]</sup>
1	1	0	Running	Running	Running
1	0	1	Low	Low	Low

[a] REF is Hi-Z until the 1st assertion of CKPWRGD\_PD# high. After this, when CKPWRG\_PD# is low, REF is Low.

**Table 3. SMBus Address Selection**

	SADR	Address	+ Read/Write Bit
State of SADR on first application of CKPWRGD_PD#	0	1101000	X
	1	1101010	X

**Table 4. Power Connections**

Pin Number			Description
VDD	VDDIO	GND	
5		2	XTAL OSC
6		8	REF Power
12		9	Digital (dirty) Power
20, 38	13, 21, 31, 39, 47	22, 29, 40	DIF Outputs
30		29	PLL Analog

## Absolute Maximum Ratings

The absolute maximum ratings are stress ratings only. Stresses greater than those listed below can cause permanent damage to the device. Functional operation of the 9FGV0841 at absolute maximum ratings is not implied. Exposure to absolute maximum rating conditions may affect device reliability.

**Table 5. Absolute Maximum Ratings**<sup>[a][b][c]</sup>

Parameter	Symbol	Conditions	Minimum	Typical	Maximum	Units
Supply Voltage	VDDxx	Applies to all V <sub>DD</sub> pins.	-0.5		2.5	V
Input Voltage	V <sub>IN</sub>		-0.5		V <sub>DD</sub> + 0.5V	V
Input High Voltage, SMBus	V <sub>IHSMB</sub>	SMBus clock and data pins.			3.6V	V
Storage Temperature	T <sub>s</sub>		-65		150	°C
Junction Temperature	T <sub>j</sub>				125	°C
Input ESD protection	ESD prot	Human Body Model.	2000			V

[a] Guaranteed by design and characterization, not 100% tested in production.

[b] Operation under these conditions is neither implied nor guaranteed.

[c] Not to exceed 2.5V.

## Thermal Characteristics

**Table 6. Thermal Characteristics**<sup>[a]</sup>

Parameter	Symbol	Conditions	Package	Typical Values	Units
Thermal Resistance	$\theta_{JC}$	Junction to case.	NDG48	33	°C/W
	$\theta_{Jb}$	Junction to base.		2.1	°C/W
	$\theta_{JA0}$	Junction to air, still air.		37	°C/W
	$\theta_{JA1}$	Junction to air, 1 m/s air flow.		30	°C/W
	$\theta_{JA3}$	Junction to air, 3 m/s air flow.		27	°C/W
	$\theta_{JA5}$	Junction to air, 5 m/s air flow.		26	°C/W

[a] EPAD soldered to board.

## Electrical Characteristics

$T_A = T_{AMB}$ ; supply voltages per normal operation conditions. See [I Test Loads](#) for loading conditions

**Table 7. Common Electrical Characteristics**

Parameter	Symbol	Conditions	Minimum	Typical	Maximum	Units
Supply Voltage	VDDxx	Supply voltage for core, analog and single-ended LVCMOS outputs.	1.7	1.8	1.9	V
Output Supply Voltage	VDDIO	Supply voltage for differential Low Power outputs.	0.9975	1.05–1.8	1.9	V
Ambient Operating Temperature	$T_{AMB}$	Commercial range.	0	25	70	°C
		Industrial range.	-40	25	85	°C
Input High Voltage	$V_{IH}$	Single-ended inputs, except SMBus.	$0.75 V_{DD}$		$V_{DD} + 0.3$	V
Input Mid Voltage	$V_{IM}$	Single-ended tri-level inputs ('_tri' suffix).	$0.4 V_{DD}$	$0.5 V_{DD}$	$0.6 V_{DD}$	V
Input Low Voltage	$V_{IL}$	Single-ended inputs, except SMBus.	-0.3		$0.25 V_{DD}$	V
Output High Voltage	$V_{OH}$	Single-ended outputs, except SMBus. $I_{OH} = -2mA$	$V_{DD}-0.45$			V
Output Low Voltage	$V_{OL}$	Single-ended outputs, except SMBus. $I_{OL} = -2mA$			0.45	V
Input Current	$I_{IN}$	Single-ended inputs, $V_{IN} = GND$ , $V_{IN} = V_{DD}$ .	-5		5	$\mu A$
	$I_{INP}$	Single-ended inputs. $V_{IN} = 0 V$ ; Inputs with internal pull-up resistors. $V_{IN} = V_{DD}$ ; Inputs with internal pull-down resistors.	-20		20	
	$I_{IN}$	Single-ended inputs, $V_{IN} = GND$ , $V_{IN} = V_{DD}$ .	-5		5	$\mu A$
	$I_{INP}$	Single-ended inputs. $V_{IN} = 0 V$ ; Inputs with internal pull-up resistors. $V_{IN} = V_{DD}$ ; Inputs with internal pull-down resistors.	-25		25	
Input Frequency	$F_{in}$	XTAL, or X1 input.	23	25	27	MHz
Pin Inductance <sup>[c]</sup>	$L_{pin}$				7	nH
Capacitance <sup>[c]</sup>	$C_{IN}$	Logic Inputs, except DIF_IN.7	1.5		5	pF
	$C_{OUT}$	Output pin capacitance.			6	pF
Clk Stabilization <sup>[c][d]</sup>	$T_{STAB}$	From $V_{DD}$ Power-Up and after input clock stabilization or de-assertion of PD# to 1st clock.		0.6	1.8	ms
SS Modulation Frequency <sup>[c]</sup>	$f_{MOD}$	Allowable Frequency. (Triangular Modulation)	30	31.6	33	kHz
OE# Latency <sup>[c][e]</sup>	$t_{LATOE\#}$	DIF start after OE# assertion. DIF stop after OE# deassertion	1	3	3	clocks
Tdrive_PD# <sup>[c][e]</sup>	$t_{DRVPD}$	DIF output enable after PD# de-assertion.		20	300	us

**Table 7. Common Electrical Characteristics (Cont.)**

Parameter	Symbol	Conditions	Minimum	Typical	Maximum	Units
T <sub>fall</sub> <sup>[d]</sup>	t <sub>F</sub>	Fall time of single-ended control inputs.			5	ns
T <sub>rise</sub> <sup>[d]</sup>	t <sub>R</sub>	Rise time of single-ended control inputs.			5	ns
SMBus Input Low Voltage	V <sub>ILSMB</sub>	V <sub>DDSMB</sub> = 3.3V, see note 4 for V <sub>DDSMB</sub> < 3.3V.			0.6	V
SMBus Input High Voltage <sup>[f]</sup>	V <sub>IHSMB</sub>	V <sub>DDSMB</sub> = 3.3V, see note 5 for V <sub>DDSMB</sub> < 3.3V.	2.1		3.6	V
SMBus Output Low Voltage	V <sub>OLSMB</sub>	At I <sub>PULLUP</sub> .			0.4	V
SMBus Sink Current	I <sub>PULLUP</sub>	At V <sub>OL</sub> .	4			mA
Nominal Bus Voltage	V <sub>DDSMB</sub>		1.7		3.6	V
SCLK/SDATA Rise Time <sup>[c]</sup>	t <sub>RSMB</sub>	(Max V <sub>IL</sub> - 0.15V) to (Min V <sub>IH</sub> + 0.15V).			1000	ns
SCLK/SDATA Fall Time <sup>[c]</sup>	t <sub>FSMB</sub>	(Min V <sub>IH</sub> + 0.15V) to (Max V <sub>IL</sub> - 0.15V).			300	ns
SMBus Operating Frequency <sup>[c]</sup>	f <sub>MAXSMB</sub>	Maximum SMBus operating frequency.			400	kHz

[a] 9FGV0841AKLF, 9FGV0841AKLFT, 9FGV0841AKILF, and 9FGV0841AKILFT.

[b] 9FGV0841ANDG2 and 9FGV0841ANDG28.

[c] Guaranteed by design and characterization, not 100% tested in production.

[d] Control input must be monotonic from 20% to 80% of input swing.

[e] Time from deassertion until outputs are > 200mV.

[f] For V<sub>DDSMB</sub> < 3.3V, V<sub>IHSMB</sub> > = 0.65 x V<sub>DDSMB</sub>.

**Table 8. DIF Low-Power HCSL (LP-HCSL) Outputs**

Parameter	Symbol	Conditions	Minimum	Typical	Maximum	Units	
Slew Rate <sup>[a][b][c]</sup>	Trf	Scope averaging on fast setting.	Industrial <sup>[d]</sup>	1.6	2.3	3.5	V/ns
			Automotive <sup>[e]</sup>	2.4	3.2	4.2	
		Scope averaging on slow setting.		1.3	1.9	2.9	V/ns
Slew Rate Matching <sup>[a][b][f]</sup>	ΔTrf	Slew rate matching, scope averaging on.		7	20	%	
Voltage High <sup>[g]</sup>	V <sub>HIGH</sub>	Statistical measurement on single-ended signal using oscilloscope math function (scope averaging on).	660	784	850	mV	
Voltage Low <sup>[g]</sup>	V <sub>LOW</sub>		-150	-33	150		
Max Voltage <sup>[g]</sup>	V <sub>max</sub>	Measurement on single-ended signal using absolute value (scope averaging off).		816	1150	mV	
Min Voltage <sup>[g]</sup>	V <sub>min</sub>		-300	-42			
V <sub>swing</sub> <sup>[a][b][g]</sup>	V <sub>swing</sub>	Scope averaging off.	300	1634		mV	
Crossing Voltage (abs) <sup>[a][g][h]</sup>	V <sub>cross_abs</sub>	Scope averaging off.	250	427	550	mV	
Crossing Voltage (var) <sup>[a][g][i]</sup>	Δ-V <sub>cross</sub>	Scope averaging off.		12	140	mV	

[a] Guaranteed by design and characterization, not 100% tested in production.

[b] Measured from differential waveform.

[c] Slew rate is measured through the V<sub>swing</sub> voltage range centered around differential 0V. This results in a ±150mV window around differential 0V.

[d] 9FGV0841AKLF, 9FGV0841AKLFT, 9FGV0841AKILF, and 9FGV0841AKILFT.

[e] 9FGV0841ANDG2 and 9FGV0841ANDG28.



- [f] Matching applies to rising edge rate for Clock and falling edge rate for Clock#. It is measured using a  $\pm 75\text{mV}$  window centered on the average cross point where Clock rising meets Clock# falling. The median cross point is used to calculate the voltage thresholds the oscilloscope is to use for the edge rate calculations.
- [g] At default SMBus amplitude settings.
- [h]  $V_{\text{CROSS}}$  is defined as voltage where Clock = Clock# measured on a component test board and only applies to the differential rising edge (i.e. Clock rising and Clock# falling).
- [i] The total variation of all  $V_{\text{cross}}$  measurements in any particular system. Note that this is a subset of  $VCROSS_{\text{min/max}}$  ( $VCROSS$  absolute) allowed. The intent is to limit  $VCROSS$  induced modulation by setting  $\Delta\text{-}VCROSS$  to be smaller than  $VCROSS$  absolute

**Table 9. Current Consumption<sup>[a]</sup>**

Parameter	Symbol	Conditions	Minimum	Typical	Maximum	Units
Operating Supply Current	$I_{\text{DDAOP}}$	VDDA, All outputs active at 100MHz.		6	9	mA
	$I_{\text{DDOP}}$	All VDD, except VDDA and VDDIO, All outputs active at 100MHz.	Industrial <sup>[b]</sup>	12	16	mA
			Automotive <sup>[c]</sup>	12	20	
	$I_{\text{DDIOOP}}$	VDDIO, All outputs active at 100MHz.		28	35	mA
Wake-on-LAN Current (CKPWRGD_PD# = '0' Byte 3, bit 5 = '1') <sup>[d]</sup>	$I_{\text{DDAPD}}$	VDDA, DIF outputs off, REF output running.		0.4	1	mA
	$I_{\text{DDPD}}$	All VDD, except VDDA and VDDIO, DIF outputs off, REF output running.	Industrial <sup>[b]</sup>	5.3	8	mA
			Automotive <sup>[c]</sup>	5.3	12	
	$I_{\text{DDIOPD}}$	VDDIO, DIF outputs off, REF output running.		0.04	0.1	mA
Powerdown Current (CKPWRGD_PD# = '0' Byte 3, bit 5 = '0')	$I_{\text{DDAPD}}$	VDDA, all outputs off.		0.4	1	mA
	$I_{\text{DDPD}}$	All VDD, except VDDA and VDDIO, all outputs off.		0.6	1	mA
	$I_{\text{DDIOPD}}$	VDDIO, all outputs off.		0.0005	0.1	mA

- [a] Guaranteed by design and characterization, not 100% tested in production.
- [b] 9FGV0841AKLF, 9FGV0841AKLFT, 9FGV0841AKILF, and 9FGV0841AKILFT.
- [c] 9FGV0841ANDG2 and 9FGV0841ANDG28.
- [d] This is the current required to have the REF output running in Wake-on-LAN mode (Byte 3, bit 5 = 1).

**Table 10. DIF Output Duty Cycle, Jitter, and Skew Characteristics**

Parameter	Symbol	Conditions	Minimum	Typical	Maximum	Units
Duty Cycle <sup>[a][b]</sup>	$t_{\text{DC}}$	Measured differentially, PLL Mode.	45	50	55	%
Skew, Output to Output <sup>[a][b]</sup>	$t_{\text{sk3}}$	Averaging on, $V_T = 50\%$ .	Industrial <sup>[c]</sup>	43	50	ps
			Automotive <sup>[d]</sup>	43	67	
Jitter, Cycle to Cycle <sup>[a][b]</sup>	$t_{\text{jyc-cyc}}$			14	50	ps

- [a] Guaranteed by design and characterization, not 100% tested in production.
- [b] Measured from differential waveform.
- [c] 9FGV0841AKLF, 9FGV0841AKLFT, 9FGV0841AKILF, and 9FGV0841AKILFT.
- [d] 9FGV0841ANDG2 and 9FGV0841ANDG28.

**Table 11. Filtered Phase Jitter Parameters – PCIe Common Clocked (CC) Architectures**

Parameter	Symbol	Conditions	Minimum	Typical	Maximum	Specification Limits	Units	Notes
Phase Jitter, PLL Mode	$t_{jphPCIeG1-CC}$	PCIe Gen1.	21	25	35	86	ps (p-p)	1,2,3
	$t_{jphPCIeG2-CC}$	PCIe Gen2 Low Band 10kHz < f < 1.5MHz (PLL BW of 5–16MHz, 8–16MHz, CDR = 5MHz).	0.9	0.9	1.1	3	ps (rms)	1,2
		PCIe Gen2 High Band 1.5MHz < f < Nyquist (50MHz) (PLL BW of 5–16MHz, 8–16MHz, CDR = 5MHz).	1.5	1.6	1.9	3.1	ps (rms)	1,2
	$t_{jphPCIeG3-CC}$	PCIe Gen3 (PLL BW of 2–4MHz, 2–5MHz, CDR = 10MHz).	0.3	0.37	0.44	1	ps (rms)	1,2
	$t_{jphPCIeG4-CC}$	PCIe Gen4 (PLL BW of 2–4MHz, 2–5MHz, CDR = 10MHz).	0.3	0.37	0.44	0.5	ps (rms)	1,2

**Table 12. REF**

Parameter	Symbol	Conditions	Minimum	Typical	Maximum	Units
Long Accuracy <sup>[a][b]</sup>	ppm	See Tperiod min–max values.	0			ppm
Clock Period <sup>[b]</sup>	T <sub>period</sub>	25MHz output.		40		ns
Rise/Fall Slew Rate <sup>[a]</sup>	t <sub>rr1</sub>	Byte 3 = 1F, 20% to 80% of V <sub>DDREF</sub> .	0.6	1	1.6	V/ns
Rise/Fall Slew Rate <sup>[a][c]</sup>	t <sub>rr1</sub>	Byte 3 = 5F, 20% to 80% of V <sub>DDREF</sub> .	0.9	1.4	2.2	V/ns
Rise/Fall Slew Rate <sup>[a]</sup>	t <sub>rr1</sub>	Byte 3 = 9F, 20% to 80% of V <sub>DDREF</sub> .	1.1	1.7	2.7	V/ns
Rise/Fall Slew Rate <sup>[a]</sup>	t <sub>rr1</sub>	Byte 3 = DF, 20% to 80% of V <sub>DDREF</sub> .	1.1	1.8	2.9	V/ns
Duty Cycle <sup>[a][d]</sup>	d <sub>t1X</sub>	V <sub>T</sub> = V <sub>DD</sub> /2 V.	45	49.1	55	%
Duty Cycle Distortion <sup>[a][e]</sup>	d <sub>tcd</sub>	V <sub>T</sub> = V <sub>DD</sub> /2 V.	0	2	4	%
Jitter, Cycle to Cycle <sup>[a][d]</sup>	t <sub>jcy-cyc</sub>	V <sub>T</sub> = V <sub>DD</sub> /2 V.		19.1	250	ps
Noise Floor <sup>[a][d]</sup>	t <sub>jdBc1k</sub>	1kHz offset.		-129.8	-105	dBc
Noise Floor <sup>[a][d]</sup>	t <sub>jdBc10k</sub>	10kHz offset to Nyquist.		-143.6	-115	dBc
Jitter, Phase <sup>[a][d]</sup>	t <sub>jphREF</sub>	12kHz to 5MHz.		0.63	1.5	ps (rms)

[a] Guaranteed by design and characterization, not 100% tested in production.

[b] All Long Term Accuracy and Clock Period specifications are guaranteed assuming that REF is trimmed to 25.00MHz.

[c] Default SMBus value.

[d] When driven by a crystal.

[e] When driven by an external oscillator via the X1 pin, X2 should be floating.

## Clock Periods

**Table 13. Clock Periods - Differential Outputs with Spread Spectrum Disabled**

SSC OFF	Center Frequency (MHz)	Measurement Window							Units
		1 Clock	1 $\mu$ s	0.1s	0.1s	0.1s	1 $\mu$ s	1 Clock	
		-c2cjitter AbsPer Min	-SSC Short-Term Average Min	-ppm Long-Term Average Min	0 ppm Period Nominal	+ppm Long-Term Average Max	+SSC Short-Term Average Max	+c2cjitter AbsPer Max	
DIF <sup>[a]</sup> <sup>[b]</sup>	100.00	9.94900	—	9.99900	10.00000	10.00100	—	10.05100	ns

[a] Guaranteed by design and characterization, not 100% tested in production.

[b] All Long Term Accuracy and Clock Period specifications are guaranteed assuming that REF is trimmed to 0ppm.

**Table 14. Clock Periods - Differential Outputs with Spread Spectrum Enabled**

SSC ON	Center Frequency (MHz)	Measurement Window							Units
		1 Clock	1 $\mu$ s	0.1s	0.1s	0.1s	1 $\mu$ s	1 Clock	
		-c2cjitter AbsPer Min	-SSC Short-Term Average Min	-ppm Long-Term Average Min	0 ppm Period Nominal	+ppm Long-Term Average Max	+SSC Short-Term Average Max	+c2cjitter AbsPer Max	
DIF <sup>[a]</sup> <sup>[b]</sup>	99.75	9.94906	9.99906	10.02406	10.02506	10.02607	10.05107	10.10107	ns

[a] Guaranteed by design and characterization, not 100% tested in production.

[b] All Long Term Accuracy and Clock Period specifications are guaranteed assuming that REF is trimmed to 0ppm.

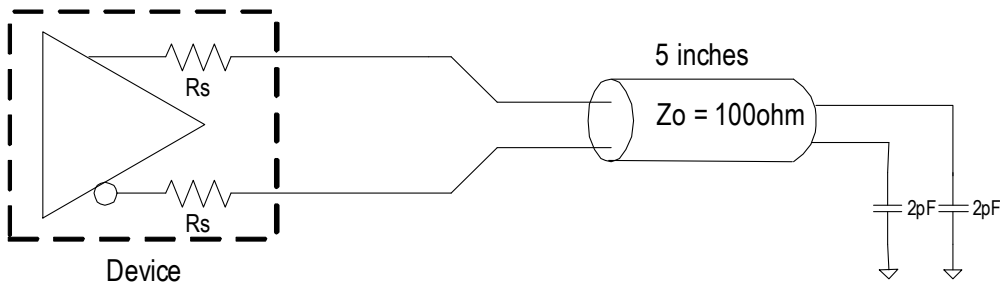
# Crystal Characteristics

**Table 15. Recommended Crystal Characteristics**

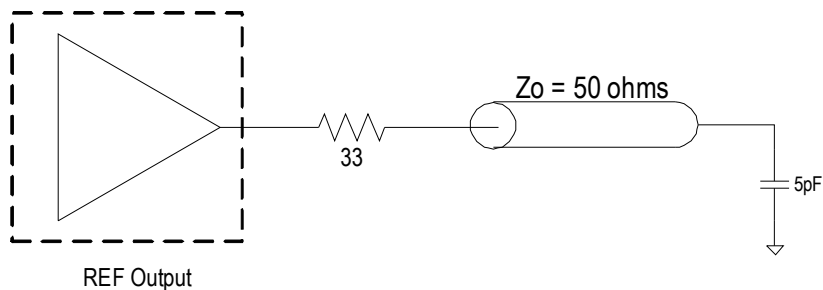
Parameter	Value	Units
Frequency	25	MHz
Resonance Mode	Fundamental	-
Frequency Tolerance at 25°C	±20	ppm maximum
Frequency Stability, REF at 25°C Over Operating Temperature Range	±20	ppm maximum
Temperature Range (commercial)	0–70	°C
Temperature Range (industrial)	-40–85	°C
Equivalent Series Resistance (ESR)	50	Ω maximum
Shunt Capacitance ( $C_0$ )	7	pF maximum
Load Capacitance ( $C_L$ )	8	pF maximum
Drive Level	0.1	mW maximum
Aging Per Year	±5	ppm maximum

## ITest Loads

**Figure 2. Low-Power HCSSL (LP-HCSSL) Differential Output Test Load**

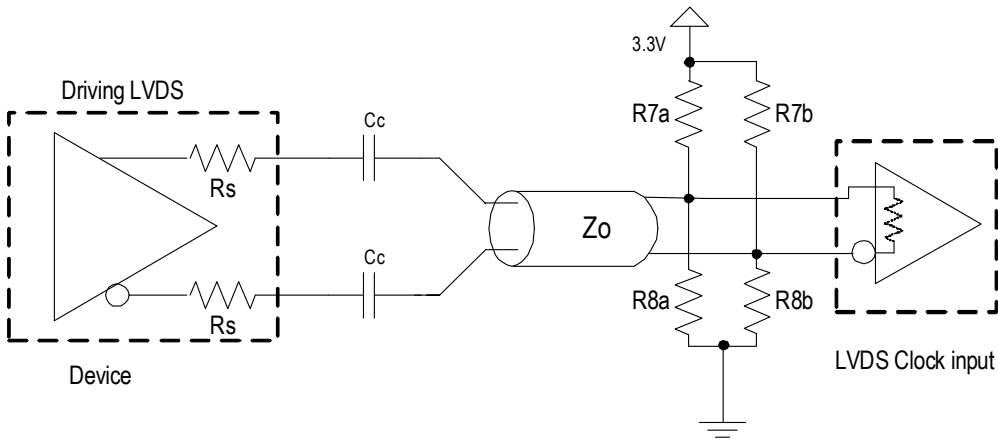


**Figure 3. REF Output Test Load**



**Alternate Terminations**

**Figure 4. Driving LVDS**



**Table 16. Driving LVDS Inputs**

Component	Value	
	Receiver has termination	Receiver does not have termination
R7a, R7b	10kΩ	140Ω
R8a, R8b	5.6kΩ	75Ω
Cc	0.1uF	0.1uF
Vcm	1.2 Volts	1.2 Volts

## General SMBus Serial Interface Information

### How to Write

- Controller (host) sends a start bit
- Controller (host) sends the write address
- IDT clock will **acknowledge**
- Controller (host) sends the beginning byte location = N
- IDT clock will **acknowledge**
- Controller (host) sends the byte count = X
- IDT clock will **acknowledge**
- Controller (host) starts sending Byte N through Byte N+X-1
- IDT clock will **acknowledge** each byte **one at a time**
- Controller (host) sends a stop bit

Index Block Write Operation			
Controller (Host)			IDT (Slave/Receiver)
T	starT bit		
Slave Address			
WR	WRite		
			ACK
Beginning Byte = N			
			ACK
Data Byte Count = X			
			ACK
Beginning Byte N		X Byte	
			ACK
0			
0			0
0			0
		0	
Byte N + X - 1			
			ACK
P	stoP bit		

**Note:** SMBus address is latched on SADR pin.

## How to Read

- Controller (host) will send a start bit
- Controller (host) sends the write address
- IDT clock will **acknowledge**
- Controller (host) sends the beginning byte location = N
- IDT clock will **acknowledge**
- Controller (host) will send a separate start bit
- Controller (host) sends the read address
- IDT clock will **acknowledge**
- IDT clock will send the data byte count = X
- IDT clock sends Byte **N+X-1**
- IDT clock sends **Byte 0 through Byte X (if X<sub>(H)</sub> was written to Byte 8)**
- Controller (host) will need to acknowledge each byte
- Controller (host) will send a not acknowledge bit
- Controller (host) will send a stop bit

Index Block Read Operation		
Controller (Host)		IDT (Slave/Receiver)
T	starT bit	
Slave Address		
WR	WRite	
		ACK
Beginning Byte = N		
		ACK
RT	Repeat starT	
Slave Address		
RD	ReaD	
		ACK
ACK		Data Byte Count=X
ACK		Beginning Byte N
		0
0	X Byte	0
0		0
0		
		Byte N + X - 1
N	Not acknowledge	
P	stoP bit	

**SMBus Table: Output Enable Register**

Byte 0	Name <sup>[a]</sup>	Control Function	Type	0	1	Default
Bit 7	DIF OE7	Output Enable	RW	Low/Low	Enabled	1
Bit 6	DIF OE6	Output Enable	RW	Low/Low	Enabled	1
Bit 5	DIF OE5	Output Enable	RW	Low/Low	Enabled	1
Bit 4	DIF OE4	Output Enable	RW	Low/Low	Enabled	1
Bit 3	DIF OE3	Output Enable	RW	Low/Low	Enabled	1
Bit 2	DIF OE2	Output Enable	RW	Low/Low	Enabled	1
Bit 1	DIF OE1	Output Enable	RW	Low/Low	Enabled	1
Bit 0	DIF OE0	Output Enable	RW	Low/Low	Enabled	1

[a] A low on these bits will override the OE# pin and force the differential output Low/Low.

**SMBus Table: SS Readback and Control Register**

Byte 1	Name	Control Function	Type	0	1	Default
Bit 7	SSENRB1	SS Enable Readback Bit1	R	00' for SS_EN_tri = 0, '01' for SS_EN_tri = 'M', '11 for SS_EN_tri = '1'		Latch
Bit 6	SSENRB1	SS Enable Readback Bit0	R			Latch
Bit 5	SSEN_SWCNTRL	Enable SW control of SS	RW	Values in B1[7:6] control SS amount	Values in B1[4:3] control SS amount.	0
Bit 4	SSENSW1	SS Enable Software Ctl Bit1	RW <sup>[a]</sup>	00' = SS Off, '01' = -0.25% SS, '10' = Reserved, '11' = -0.5% SS		0
Bit 3	SSENSW0	SS Enable Software Ctl Bit0	RW <sup>[a]</sup>			0
Bit 2	Reserved					1
Bit 1	AMPLITUDE 1	Controls Output Amplitude	RW	00 = 0.6V	01 = 0.7V	1
Bit 0	AMPLITUDE 0		RW	10 = 0.8V	11 = 0.9V	0

[a] B1[5] must be set to a 1 for these bits to have any effect on the part.

**SMBus Table: DIF Slew Rate Control Register**

Byte 2	Name	Control Function	Type	0	1	Default
Bit 7	SLEWRATESEL DIF7	Adjust Slew Rate of DIF7	RW	Slow Setting	Fast Setting	1
Bit 6	SLEWRATESEL DIF6	Adjust Slew Rate of DIF6	RW	Slow Setting	Fast Setting	1
Bit 5	SLEWRATESEL DIF5	Adjust Slew Rate of DIF5	RW	Slow Setting	Fast Setting	1
Bit 4	SLEWRATESEL DIF4	Adjust Slew Rate of DIF4	RW	Slow Setting	Fast Setting	1
Bit 3	SLEWRATESEL DIF3	Adjust Slew Rate of DIF3	RW	Slow Setting	Fast Setting	1
Bit 2	SLEWRATESEL DIF2	Adjust Slew Rate of DIF2	RW	Slow Setting	Fast Setting	1
Bit 1	SLEWRATESEL DIF1	Adjust Slew Rate of DIF1	RW	Slow Setting	Fast Setting	1
Bit 0	SLEWRATESEL DIF0	Adjust Slew Rate of DIF0	RW	Slow Setting	Fast Setting	1



**SMBus Table: Nominal V<sub>HIGH</sub> Amplitude Control / REF Control Register**

Byte 3	Name	Control Function	Type	0	1	Default
Bit 7	REF	Slew Rate Control	RW	00 = Slowest	01 = Slow	0
Bit 6			RW	10 = Fast	11 = Faster	1
Bit 5	REF Power Down Function	Wake-on-Lan Enable for REF	RW	REF does not run in Power Down	REF runs in Power Down	0
Bit 4	REF OE	REF Output Enable	RW	Low	Enabled	1
Bit 3	Reserved					1
Bit 2	Reserved					1
Bit 1	Reserved					1
Bit 0	Reserved					1

Byte 4 is Reserved.

**SMBus Table: Revision and Vendor ID Register**

Byte 5	Name	Control Function	Type	0	1	Default
Bit 7	RID3	Revision ID	R	Industrial: 0001 (revision A) Automotive; 1000 (revision A)		0
Bit 6	RID2		R			0
Bit 5	RID1		R			0
Bit 4	RID0		R			1
Bit 3	VID3	VENDOR ID	R	0001 = IDT		0
Bit 2	VID2		R			0
Bit 1	VID1		R			0
Bit 0	VID0		R			1

**SMBus Table: Device Type/Device ID Register**

Byte 6	Name	Control Function	Type	0	1	Default
Bit 7	Device Type1	Device Type	R	00 = FGx, 01 = DBx ZDB/FOB, 10 = DMx, 11= DBx FOB		0
Bit 6	Device Type0		R			0
Bit 5	Device ID5	Device ID	R	001000 binary or 08 hex		0
Bit 4	Device ID4		R			0
Bit 3	Device ID3		R			1
Bit 2	Device ID2		R			0
Bit 1	Device ID1		R			0
Bit 0	Device ID0		R			0
			R			0

**SMBus Table: Revision and Vendor ID Register**

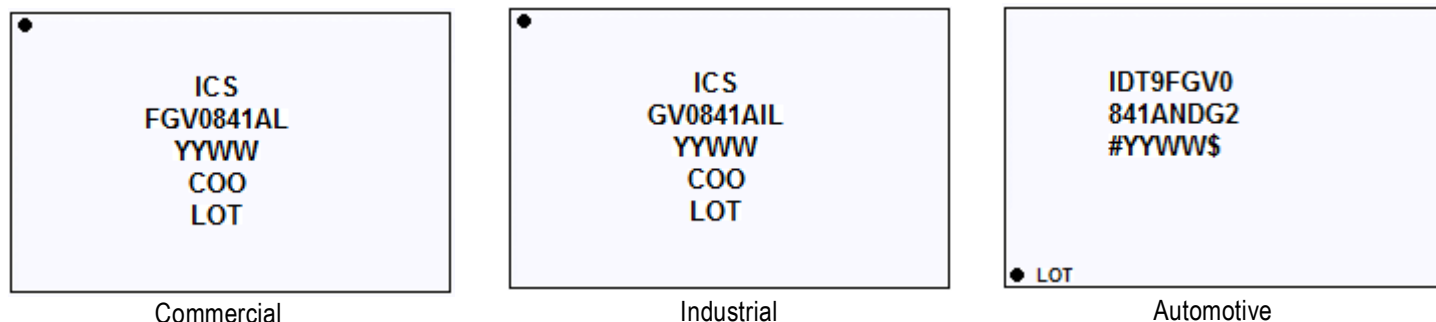
Byte 7	Name	Control Function	Type	0	1	Default
Bit 7	Reserved					0
Bit 6	Reserved					0
Bit 5	Reserved					0
Bit 4	BC4	Byte Count Programming	RW	Writing to this register will configure how many bytes will be read back, default is = 8 bytes.		0
Bit 3	BC3		RW			1
Bit 2	BC2		RW			0
Bit 1	BC1		RW			0
Bit 0	BC0		RW			0

**Package Outline Drawings**

The package outline drawings are appended at the end of this document and are also accessible from the links below. The package information is the most current data available and is subject to change without notice or revision of this document.

- **Commercial and Industrial Devices:**  
[www.idt.com/document/psc/48-vfqfpn-package-outline-drawing-60-x-60-x-090-mm-body-epad-42-x-42-mm-040mm-pitch-ndg48p2](http://www.idt.com/document/psc/48-vfqfpn-package-outline-drawing-60-x-60-x-090-mm-body-epad-42-x-42-mm-040mm-pitch-ndg48p2)
- **Automotive Devices:**  
[www.idt.com/document/psc/48-vfqfpn-package-outline-drawing-48-vfqfpn-package-outline-drawing-ndg48s1-wettable-flank](http://www.idt.com/document/psc/48-vfqfpn-package-outline-drawing-48-vfqfpn-package-outline-drawing-ndg48s1-wettable-flank)

**Marking Diagrams**



- Lines 1 and 2: truncated part number
- “YYWW” denotes the last digits of the year and work week the part was assembled.
- “#” denotes the stepping sequence.
- “\$” denotes mark code.
- “COO” denotes country of origin/
- “LOT” denotes the lot number.

## Ordering Information

Orderable Part Number <sup>[a][b]</sup>	Package	Carrier Type	Temperature
9FGV0841AKLF	6 × 6 mm, 0.4mm pitch 48-VFQFPN	Tray	0 to +70°C
9FGV0841AKLFT	6 × 6 mm, 0.4mm pitch 48-VFQFPN	Reel	0 to +70°C
9FGV0841AKILF	6 × 6 mm, 0.4mm pitch 48-VFQFPN	Tray	-40 to +85°C
9FGV0841AKILFT	6 × 6 mm, 0.4mm pitch 48-VFQFPN	Reel	-40 to +85°C
9FGV0841ANDG2	6 × 6 mm, 0.4mm pitch 48-VFQFPN (wetable flank)	Tray	-40 to +105°C <sup>[c]</sup>
9FGV0841ANDG28	6 × 6 mm, 0.4mm pitch 48-VFQFPN (wetable flank)	Reel	-40 to +105°C <sup>[c]</sup>

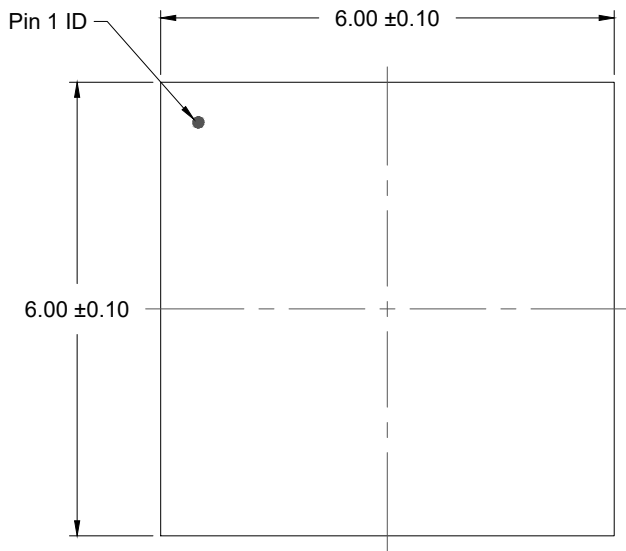
[a] "LF" indicates Pb-free, RoHS compliant.

[b] "A" is the device revision designator (will not correlate to with the datasheet revision).

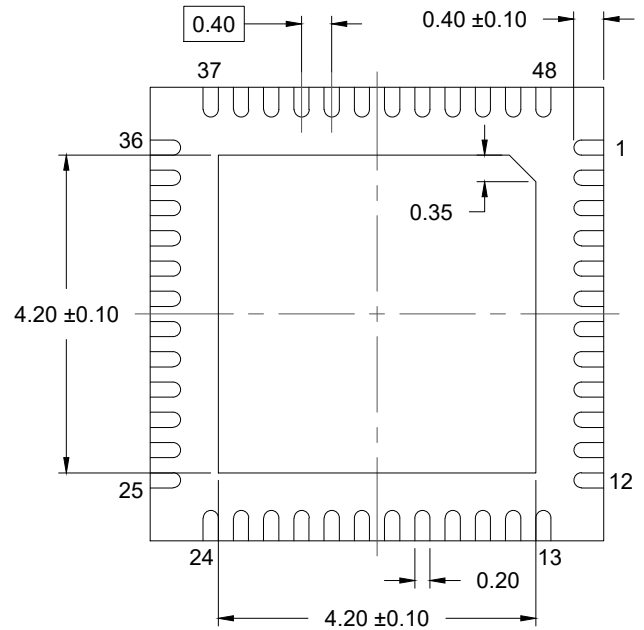
[c] AEC-Q100 Grade 2.

## Revision History

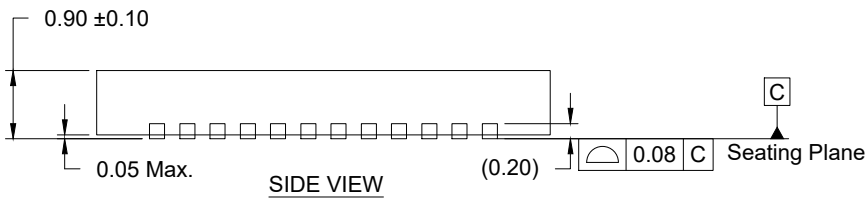
Revision Date	Description of Change
August 20, 2021	Rebranded to Renesas.
November 26, 2019	Initial release of production datasheet. Key changes include the addition of automotive electrical characteristics to <a href="#">Table 7</a> to <a href="#">Table 10</a> ; however, no changes were made to industrial-grade parameters.



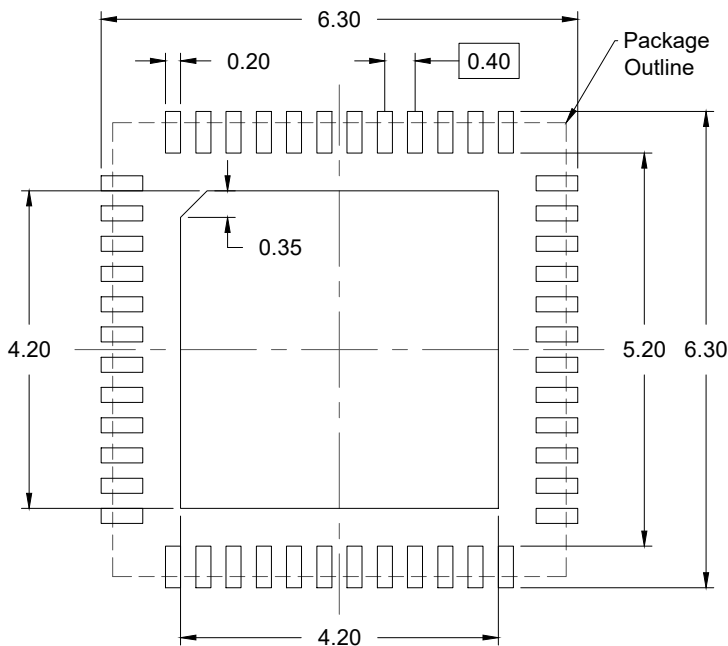
TOP VIEW



BOTTOM VIEW



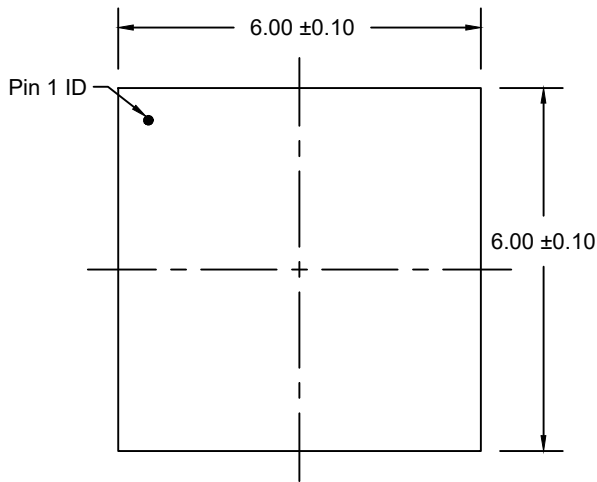
SIDE VIEW



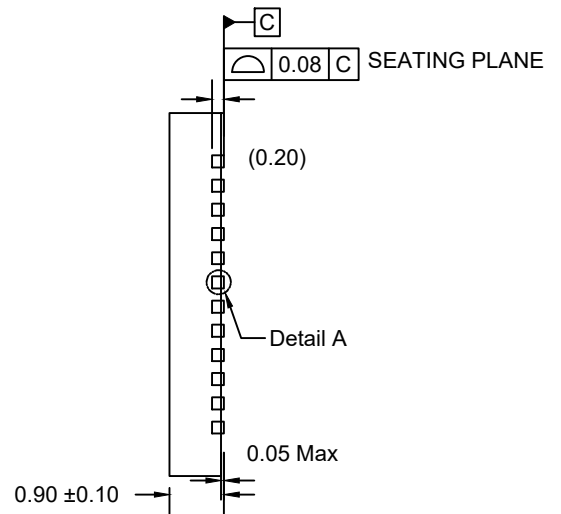
RECOMMENDED LAND PATTERN  
(PCB Top View, NSMD Design)

NOTES:

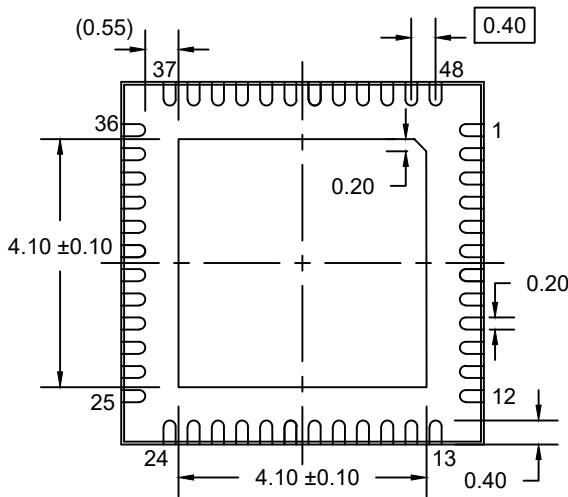
1. JEDEC compatible.
2. All dimensions are in mm and angles are in degrees.
3. Use  $\pm 0.05$  mm for the non-toleranced dimensions.
4. Numbers in ( ) are for references only.



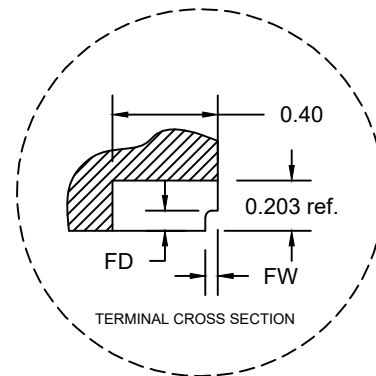
TOP VIEW



SIDE VIEW



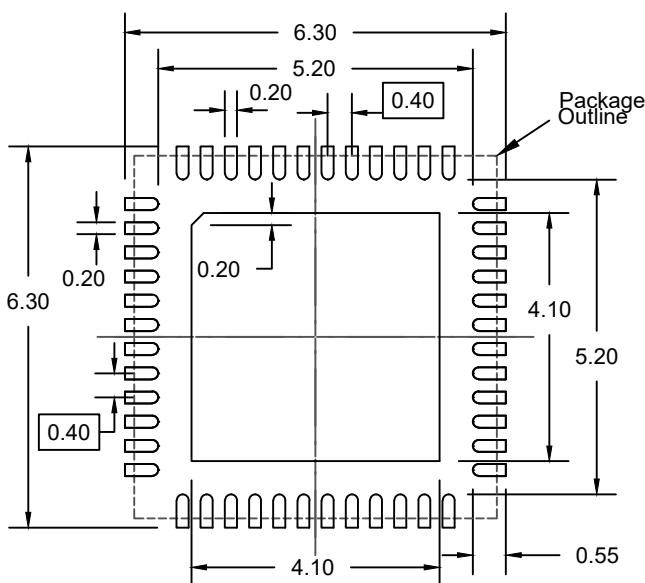
BOTTOM VIEW



DETAIL A

Table 1: Dimensions of wettable flank (DETAIL A)

Symbol	Unit (mm)	
	MIN	MAX
FD	0.100	-
FW	0.001	0.075



RECOMMENDED LAND PATTERN  
(PCB Top View, NSMD Design)

NOTES:

1. JEDEC compatible.
2. All dimensions are in mm and angles are in degrees.
3. Use  $\pm 0.50$  mm for the non-toleranced dimensions.
4. Numbers in ( ) are for references only.
5. Wettable flank (step cut).

## IMPORTANT NOTICE AND DISCLAIMER

RENESAS ELECTRONICS CORPORATION AND ITS SUBSIDIARIES (“RENESAS”) PROVIDES TECHNICAL SPECIFICATIONS AND RELIABILITY DATA (INCLUDING DATASHEETS), DESIGN RESOURCES (INCLUDING REFERENCE DESIGNS), APPLICATION OR OTHER DESIGN ADVICE, WEB TOOLS, SAFETY INFORMATION, AND OTHER RESOURCES “AS IS” AND WITH ALL FAULTS, AND DISCLAIMS ALL WARRANTIES, EXPRESS OR IMPLIED, INCLUDING, WITHOUT LIMITATION, ANY IMPLIED WARRANTIES OF MERCHANTABILITY, FITNESS FOR A PARTICULAR PURPOSE, OR NON-INFRINGEMENT OF THIRD-PARTY INTELLECTUAL PROPERTY RIGHTS.

These resources are intended for developers who are designing with Renesas products. You are solely responsible for (1) selecting the appropriate products for your application, (2) designing, validating, and testing your application, and (3) ensuring your application meets applicable standards, and any other safety, security, or other requirements. These resources are subject to change without notice. Renesas grants you permission to use these resources only to develop an application that uses Renesas products. Other reproduction or use of these resources is strictly prohibited. No license is granted to any other Renesas intellectual property or to any third-party intellectual property. Renesas disclaims responsibility for, and you will fully indemnify Renesas and its representatives against, any claims, damages, costs, losses, or liabilities arising from your use of these resources. Renesas' products are provided only subject to Renesas' Terms and Conditions of Sale or other applicable terms agreed to in writing. No use of any Renesas resources expands or otherwise alters any applicable warranties or warranty disclaimers for these products.

(Disclaimer Rev.1.01 Jan 2024)

### Corporate Headquarters

TOYOSU FORESIA, 3-2-24 Toyosu,  
Koto-ku, Tokyo 135-0061, Japan  
[www.renesas.com](http://www.renesas.com)

### Trademarks

Renesas and the Renesas logo are trademarks of Renesas Electronics Corporation. All trademarks and registered trademarks are the property of their respective owners.

### Contact Information

For further information on a product, technology, the most up-to-date version of a document, or your nearest sales office, please visit [www.renesas.com/contact-us/](http://www.renesas.com/contact-us/).