

Note: The following document is primarily comprised of information extracted with permission from the ARM, Ltd. document *Cortex™-M0 User Guide Reference Material*, copyright © 2009 ARM Limited. The material is shortened and adapted for instruction in the use of the ARM® Cortex™-M0 core used in the MCU implemented by IDT in its products. All material is subject to the 2009 copyright belonging to ARM Limited.

Contents

1	IDT's ARM® Core.....	6
2	ARM® Cortex™-M0 User Guide	7
2.1	Introduction	7
2.1.1	Scope of this Document	7
2.1.1.1	Typographical Conventions.....	7
2.1.2	About the Cortex™-M0 Processor and Core Peripherals	8
2.1.2.1	System-Level Interface	9
2.1.2.2	Integrated Debug Logic.....	9
2.1.2.3	Cortex™-M0 Processor Features Summary	9
2.1.2.4	Cortex™-M0 Core Peripherals	9
2.2	Cortex™-M0 Processor	10
2.2.1	Programmer's Model.....	10
2.2.1.1	Processor Modes	10
2.2.1.2	Stacks	10
2.2.1.3	Core Registers	11
2.2.1.4	Exceptions and Interrupts	18
2.2.1.5	Data Types.....	18
2.2.1.6	The Cortex™ Microcontroller Software Interface Standard (CMSIS)	18
2.2.2	Memory Model.....	19
2.2.2.1	Memory Regions, Types, and Attributes	20
2.2.2.2	Memory System Ordering of Memory Accesses	21
2.2.2.3	Behavior of Memory Accesses.....	22
2.2.2.4	Software Ordering of Memory Accesses.....	23
2.2.2.5	Memory Endianness	24
2.2.3	Exception Model.....	24
2.2.3.1	Exception States	24
2.2.3.2	Exception Types.....	25
2.2.3.3	Exception Handlers	27
2.2.3.4	Vector Table.....	27
2.2.3.5	Exception Priorities	28
2.2.3.6	Exception Entry and Return	29
2.2.4	Fault Handling	32
2.2.4.1	Lockup	32
2.2.5	Power Management	32
2.2.5.1	Entering Sleep Mode.....	33
2.2.5.2	Wakeup from Sleep Mode.....	33
2.2.5.3	Power Management Programming Hints	33
2.3	Cortex™-M0 Instruction Set	34

2.3.1	Instruction Set Summary	34
2.3.2	Intrinsic Functions	37
2.3.3	About the Instruction Description	39
2.3.3.1	Operands	39
2.3.3.2	Restrictions when Using PC or SP	39
2.3.3.3	Shift Operations	39
2.3.3.4	Address Alignment	42
2.3.3.5	PC-Relative Expressions	42
2.3.3.6	Conditional Execution	42
2.3.4	Memory Access Instructions	45
2.3.4.1	ADR	46
2.3.4.2	LDR and STR, Immediate Offset	47
2.3.4.3	LDR and STR, Register Offset	48
2.3.4.4	LDR, PC-relative	49
2.3.4.5	LDM and STM	50
2.3.4.6	PUSH and POP	52
2.3.5	General Data Processing Instructions	53
2.3.5.1	ADC, ADD, RSB, SBC and SUB	55
2.3.5.2	AND, ORR, EOR and BIC	58
2.3.5.3	ASR, LSL, LSR and ROR	59
2.3.5.4	CMP and CMN	60
2.3.5.5	MOV and MVN	61
2.3.5.6	MULS	62
2.3.5.7	REV, REV16 and REVSH	63
2.3.5.8	SXT and UXT	64
2.3.5.9	TST	65
2.3.6	Branch and Control Instructions	66
2.3.6.1	B, BL, BX and BLX	67
2.3.7	Miscellaneous Instructions	69
2.3.7.1	BKPT	70
2.3.7.2	CPS	71
2.3.7.3	DMB	72
2.3.7.4	DSB	72
2.3.7.5	ISB	73
2.3.7.6	MRS	74
2.3.7.7	MSR	75
2.3.7.8	NOP	76
2.3.7.9	SVC	77
2.3.7.10	WFI	78
2.4	Cortex™-M0 Peripherals	79
2.4.1	About the Cortex™-M0 Peripherals	79
2.4.2	Nested Vectored Interrupt Controller (NVIC)	80
2.4.2.1	Accessing the Cortex™-M0 NVIC registers using CMSIS	81
2.4.2.2	Interrupt Set-Enable Register (ISER)	82
2.4.2.3	Interrupt Clear-Enable Register (ICER)	83
2.4.2.4	Interrupt Set-Pending Register (ISPR)	84
2.4.2.5	Interrupt Clear-Pending Register (ICPR)	85

2.4.2.6	Interrupt Priority Registers (IPR0 – IPR2)	86
2.4.2.7	Level-Sensitive and Pulse Interrupts.....	87
2.4.2.8	NVIC Usage Hints and Tips	88
2.4.3	System Control Block (SCB).....	89
2.4.3.1	The CMSIS Mapping of the Cortex™-M0 SCB Registers	90
2.4.3.2	CPUID Register.....	90
2.4.3.3	Interrupt Control and State Register (ICSR).....	91
2.4.3.4	Application Interrupt and Reset Control Register (AIRCR).....	94
2.4.3.5	System Control Register (SCR)	95
2.4.3.6	Configuration and Control Register (CCR).....	96
2.4.3.7	System Handler Priority Registers (SHPR2-3).....	97
2.4.3.8	SCB Usage Hints and Tips	99
2.4.4	System Timer (SysTick)	99
2.4.4.1	SysTick Control and Status Register (SYST_CSR)	100
2.4.4.2	SysTick Reload Value Register (SYST_RVR)	101
2.4.4.3	SysTick Current Value Register (SYST_CVR).....	102
2.4.4.4	SysTick Calibration Value Register (SYST_CALIB).....	103
2.4.4.5	SysTick Usage Hints and Tips	104
2.5	Glossary.....	104
3	DOCUMENT REVISION HISTORY	108

List of Figures

Figure 2.1	Cortex™-M0 Implementation	8
Figure 2.2	Core Register Set Overview	11
Figure 2.3	PSR Register; Combination of APSR, IPSR, and EPSR.....	13
Figure 2.4	PRIMASK Register	16
Figure 2.5	CONTROL Register	17
Figure 2.6	General ARM® Memory Map	19
Figure 2.7	Memory Access Ordering if Memory Access Instruction A1 Occurs Before Instruction A2	21
Figure 2.8	Example of Little-Endian Format	24
Figure 2.9	Vector Table.....	27
Figure 2.10	Exception Entry Stack Contents	30
Figure 2.11	ASR #3.....	40
Figure 2.12	LSR #3	40
Figure 2.13	LSL #3.....	41
Figure 2.14	ROR #3	41
Figure 2.15	ISER.....	82
Figure 2.16	CER.....	83
Figure 2.17	ISPR.....	84
Figure 2.18	ICPR.....	85
Figure 2.19	IPR0-2.....	86
Figure 2.20	CPUID register	90
Figure 2.21	ICSR.....	91
Figure 2.22	AIRCR	94
Figure 2.23	SCR.....	95

Figure 2.24	CCR	96
Figure 2.25	SHPR2	97
Figure 2.26	SHPR3	98
Figure 2.27	SYST_CSR	100
Figure 2.28	SYST_RVR	101
Figure 2.29:	SYST_CVR.....	102
Figure 2.30:	SYST_CALIB.....	103

List of Tables

Table 2.1	Summary of Processor Mode and Stack Use Options	10
Table 2.2	Core Register Set Summary	11
Table 2.3	PSR Register Combinations	13
Table 2.4	APSR Bit Assignments	14
Table 2.5	IPSR Bit Assignments.....	14
Table 2.6	EPSR Bit Assignments	15
Table 2.7	PRIMASK Register Bit Assignments	16
Table 2.8	CONTROL Register Bit Assignments	17
Table 2.9	Memory Access Behavior	22
Table 2.10	Properties of the Different Exception Types	26
Table 2.11	Exception Return Behavior	31
Table 2.12	Set of Instructions Supported by the Cortex™-M0 Processor.....	34
Table 2.13	CMSIS Intrinsic Functions to Generate some Cortex™-M0 Instructions	37
Table 2.14	CMSIS Intrinsic Functions to Access the Special Registers.....	38
Table 2.15	Condition Code Suffixes	44
Table 2.16	Memory access instructions.....	45
Table 2.17	Data Processing Instructions	53
Table 2.18	ADC, ADD, RSB, SBC and SUB Operand Restrictions	56
Table 2.19	Branch and Control Instructions	66
Table 2.20	Branch Ranges	67
Table 2.21	Miscellaneous Instructions.....	69
Table 2.22	Core Peripheral Register Regions	79
Table 2.23	NVIC Register Summary.....	80
Table 2.24	CMSIS Access NVIC Functions.....	81
Table 2.25	ISER Bit Assignments.....	82
Table 2.26	ICER Bit Assignments.....	83
Table 2.27	ISPR Bit Assignments.....	84
Table 2.28	CPR Bit Assignments.....	85
Table 2.29	IPR Bit Assignments	86
Table 2.30	Properties of the Different Exception Types	88
Table 2.31	Summary of the SCB Registers	89
Table 2.32	PUID Register Bit Assignments	90
Table 2.33	ICSR Bit Assignments.....	92
Table 2.34	AIRCR Bit Assignments	94
Table 2.35	SCR Bit Assignments.....	95

Table 2.36	CCR Bit Assignments	96
Table 2.37	System Fault Handler Priority Fields	97
Table 2.38	SHPR2 Bit Assignments	97
Table 2.39	SHPR3 Bit Assignments	98
Table 2.40	System Timer Registers Summary	99
Table 2.41	SYST_CSR Bit Assignments	100
Table 2.42	SYST_RVR Bit Assignments	101
Table 2.43:	SYST_CVR Bit Assignments.....	102
Table 2.44	SYST_CALIB Bit Assignments	103

1 IDT's ARM® Core

The IDT's MCU contains an ARM® core comprised of the following components:

- a Cortex™-M0 processor
- a debug controller including
 - a JTAG interface
 - 4 hardware breakpoint comparators
 - 2 hardware watchpoint comparators
- an interrupt controller (NVIC) providing the NMI and 9 interrupt lines

○ interrupt line 0	flash controller interrupt	level-sensitive
○ interrupt line 1	external interrupt (from SBC)	level-sensitive
○ interrupt line 2	SW-LIN interrupt (from ZSYSTEM)	level-sensitive
○ interrupt line 3	SPI interrupt (from ZSYSTEM)	level-sensitive
○ interrupt line 4	32 bit timer interrupt	pulse
○ interrupt line 5	GPIO interrupt	level-sensitive
○ interrupt line 6	SPI interrupt (from ZSYSTEM2)	level-sensitive
○ interrupt line 7	USART interrupt (from ZSYSTEM2)	level-sensitive
○ interrupt line 8	I ² C™* interrupt (from ZSYSTEM2)	level-sensitive
- a system timer (SysTick)
- a fast single-cycle multiplier

* I²C is a trademark of NXP.

2 ARM® Cortex™-M0 User Guide

The following sub-sections contain information extracted with permission from the ARM, Ltd. document *Cortex™-M0 User Guide Reference Material*. These subsections are shortened to the implementation of the MCU implemented by IDT.

2.1 Introduction

2.1.1 Scope of this Document

This document provides the information required for application and system-level software development. It does not provide information on debug components, features, or operation.

This material is for microcontroller software and hardware engineers, including those who have no experience with ARM® products.

2.1.1.1 Typographical Conventions

The typographical conventions used in this document are

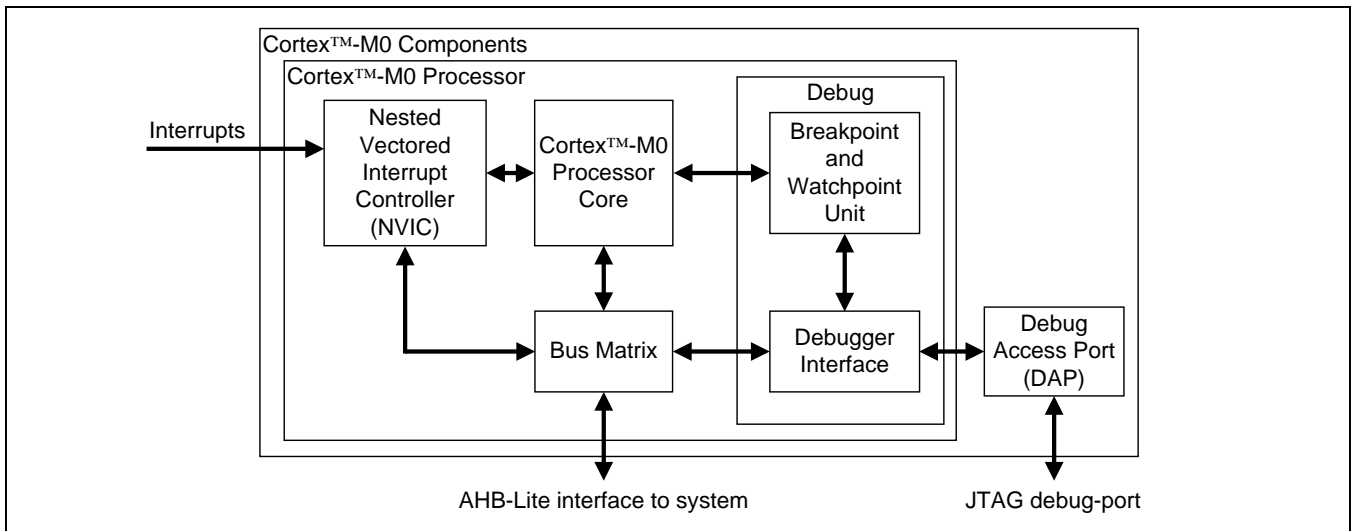
<i>italic</i>	Highlights important notes, introduces special terminology, denotes internal cross-references, and citations.
bold	Highlights interface elements, such as menu names. Denotes signal names. Used for terms in descriptive lists, where appropriate.
monospace	Denotes text that can be entered at the keyboard, such as commands, file and program names, and source code.
<u>monospace</u>	Denotes a permitted abbreviation for a command or option. The underlined text can be entered instead of the full command or option name.
<i>monospace italic</i>	Denotes arguments to monospace text where the argument is to be replaced by a specific value.
monospace bold	Denotes language keywords when used outside the example code.
< and >	Enclose replaceable terms for assembler syntax where they appear in code or code fragments. For example: CMP <i>Rn</i> , < <i>Rm</i> # <i>imm</i> >

2.1.2 About the Cortex™-M0 Processor and Core Peripherals

The Cortex™-M0 processor is an entry-level 32-bit ARM® Cortex™ processor designed for a broad range of embedded applications. It offers significant benefits to developers, including

- a simple architecture that is easy to learn and program
- ultra-low power, energy-efficient operation
- excellent code density
- deterministic, high-performance interrupt handling
- upward compatibility with the Cortex™-M processor family.

Figure 2.1 Cortex™-M0 Implementation



The Cortex™-M0 processor is built on a 32-bit processor core that is highly optimized for area and power and has a 3-stage pipeline von Neumann architecture. The processor delivers exceptional energy efficiency through a small but powerful instruction set and extensively optimized design, providing high-end processing hardware including a single-cycle multiplier.

The Cortex™-M0 processor implements the ARMv6-M architecture, which is based on the 16-bit Thumb®† instruction set and includes Thumb®-2 technology. This provides the exceptional performance expected of a modern 32-bit architecture, with a higher code density than other 8-bit and 16-bit microcontrollers.

The Cortex™-M0 processor closely integrates a configurable *Nested Vectored Interrupt Controller (NVIC)*, to deliver industry-leading interrupt performance.

The NVIC

- includes a *non-maskable interrupt (NMI)*
- provides zero jitter interrupt option
- provides four interrupt priority levels

† Thumb® is a trademark of Arm, Ltd.

The tight integration of the processor core and the NVIC provides fast execution of *interrupt service routines* (ISRs), dramatically reducing the interrupt latency. This is achieved through the hardware stacking of registers, and the ability to abandon and restart load-multiple and store-multiple operations. Interrupt handlers do not require any assembler wrapper code, removing any code overhead from the ISRs. Tail-chaining optimization also significantly reduces the overhead when switching from one ISR to another.

To optimize low-power designs, the NVIC integrates with the sleep modes including a deep sleep function that provides support of the power down modes controlled by the connected SBC.

2.1.2.1 System-Level Interface

The Cortex™-M0 processor provides a single system-level interface using AMBA® ‡ technology to provide high speed, low latency memory accesses.

2.1.2.2 Integrated Debug Logic

The Cortex™-M0 processor implements a complete hardware debug solution, with extensive hardware breakpoint and watchpoint options. This provides high system visibility of the processor, memory and peripherals through a JTAG port that is ideal for microcontrollers and other small package devices. The debug logic includes 4 hardware breakpoint and 2 hardware watchpoint comparators.

2.1.2.3 Cortex™-M0 Processor Features Summary

- high code density with 32-bit performance
- tools and binary upwards compatible with Cortex™-M processor family
- integrated ultra-low-power sleep modes
- efficient code execution permits slower processor clock or increases sleep mode time
- single-cycle 32-bit hardware multiplier
- zero jitter interrupt handling
- extensive debug capabilities

2.1.2.4 Cortex™-M0 Core Peripherals

These are

NVIC

The NVIC is an embedded interrupt controller that supports low latency interrupt processing.

System Control Block

The *System Control Block* (SCB) is the programmer's model interface to the processor. It provides system implementation information and system control, including configuration, control, and reporting of system exceptions.

System timer

The system timer, SysTick, is a 24-bit count-down timer. Use this as a Real Time Operating System (RTOS) tick timer or as a simple counter.

‡ AMBA® is a trademark of ARM, Ltd.

2.2 Cortex™-M0 Processor

2.2.1 Programmer's Model

This section describes the Cortex™-M0 programmer's model. In addition to the individual core register descriptions, it contains information about the processor modes and stacks.

2.2.1.1 Processor Modes

The processor *modes* are

- **Thread Mode:** Used to execute application software. The processor enters Thread Mode when it comes out of reset.
- **Handler Mode:** Used to handle exceptions. The processor returns to Thread Mode when it has finished all exception processing.

2.2.1.2 Stacks

The processor uses a full descending stack. This means the stack pointer indicates the last stacked item on the stack memory. When the processor pushes a new item onto the stack, it decrements the stack pointer and then writes the item to the new memory location. The processor implements two stacks, the *main stack* and the *process stack*, with independent copies of the stack pointer; see section "Stack Pointer (PS)."

In Thread Mode, the CONTROL register controls whether the processor uses the main stack or the process stack; see section "Control Register (CONTROL)." In Handler Mode, the processor always uses the main stack. The options for processor operations are

Table 2.1 Summary of Processor Mode and Stack Use Options

Processor Mode	Used to Execute	Stack Used
Thread	Applications	Main stack or process stack (see Control Register (CONTROL))
Handler	Exception handlers	Main stack

2.2.1.3 Core Registers

The processor core registers are shown in Figure 2.2.

Figure 2.2 Core Register Set Overview

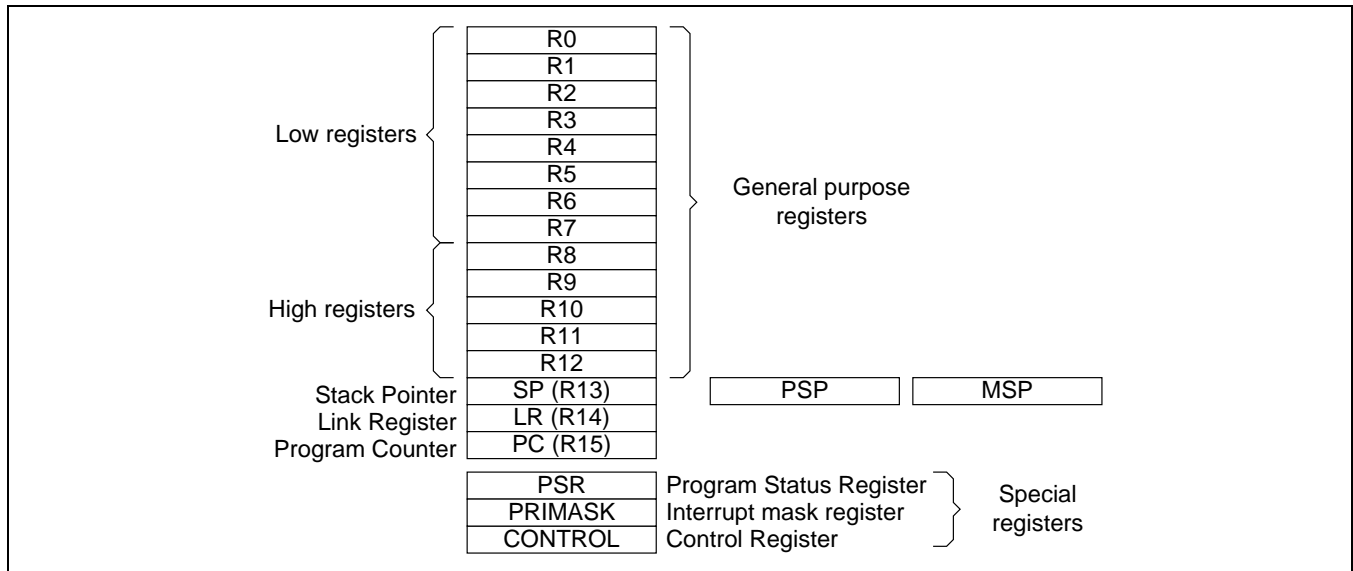


Table 2.2 Core Register Set Summary

Name	Type	Reset Value	Description
R0-R12	RW	Unknown	General Purpose Registers (R0-R12)
MSP	RW	See description	Stack Pointer (PS)
PSP	RW	Unknown	Stack Pointer (PS)
LR	RW	Unknown	Link Register (LR)
PC	RW	See description	Program Counter (PC)
PSR	RW	Unknown	Program Status Register (PSR)
APSR	RW	Unknown	Table 2.4
IPSR	RO	0x00000000	Table 2.5
EPSR	RO	Unknown	Table 2.6
PRIMASK	RW	0x00000000	Table 2.7
CONTROL	RW	0x00000000	Table 2.8

2.2.1.3.1 General Purpose Registers (R0-R12)

R0-R12 are 32-bit general-purpose registers for data operations.

2.2.1.3.2 Stack Pointer (PS)

The *Stack Pointer* (SP) is register R13. In Thread Mode, bit[1] of the CONTROL register indicates the stack pointer to use:

- 0 = *Main Stack Pointer* (MSP). This is the reset value.
- 1 = *Process Stack Pointer* (PSP).

On reset, the processor loads the MSP with the value from address 0x00000000.

Note: Depending on the setting of memSwap bit (see corresponding data sheet), address 0x00000000 is located in flash or RAM.

2.2.1.3.3 Link Register (LR)

The *Link Register* (LR) is register R14. It stores the return information for subroutines, function calls, and exceptions. On reset, the LR value is Unknown.

2.2.1.3.4 Program Counter (PC)

The *Program Counter* (PC) is register R15. It contains the current program address. On reset, the processor loads the PC with the value of the reset vector, which is at address 0x00000004. Bit[0] of the value is loaded into the EPSR T-bit at reset and must be 1.

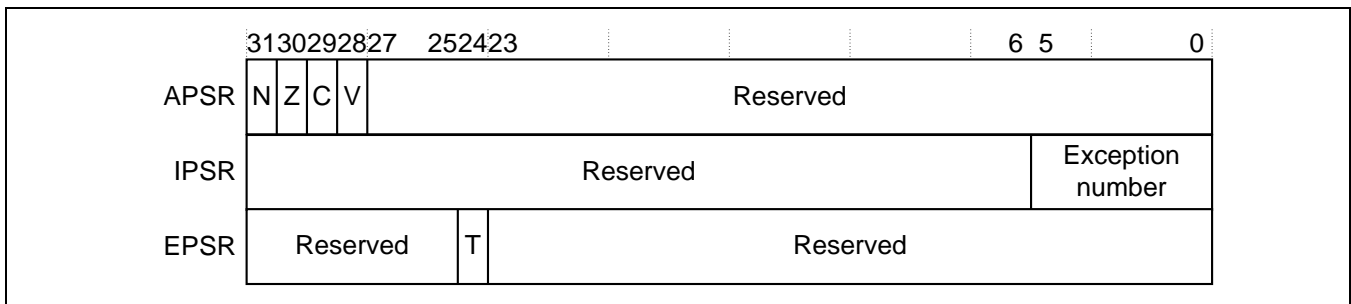
2.2.1.3.5 Program Status Register (PSR)

The Program Status Register (PSR) combines

- Application Program Status Register (APSR)
- Interrupt Program Status Register (IPSR)
- Execution Program Status Register (EPSR).

These registers are mutually exclusive bitfields in the 32-bit PSR. The PSR bit assignments are shown in Figure 2.3.

Figure 2.3 PSR Register; Combination of APSR, IPSR, and EPSR



Access these registers individually or as a combination of any two or all three registers, using the register name as an argument to the MSR or MRS instructions. For example,

- read all of the registers using PSR with the MRS instruction
- write to the APSR using APSR with the MSR instruction

The PSR combinations and attributes are given in Table 2.3.

Table 2.3 PSR Register Combinations

Register	Type	Combination
PSR	RW	APSR, EPSR, and IPSR
IEPSR	RO	EPSR and IPSR
IAPSR	RW	APSR and IPSR
EAPSR	RW	APSR and EPSR

Note: The processor ignores writes to the ISPR bits.

Note: Reads of the ESPR bits return zero, and the processor ignores writes to these bits.

See the instruction descriptions “MRS” and “MSR” for more information about how to access the program status registers.

Application Program Status Register (APSR)

The APSR contains the current state of the condition flags, from previous instruction executions. See the register summary in Table 2.2 for its attributes. The bit assignments are given in Table 2.4.

Table 2.4 APSR Bit Assignments

Bits	Name	Function
[31]	N	Negative flag
[30]	Z	Zero flag
[29]	C	Carry or borrow flag
[28]	V	Overflow flag
[27:0]	-	Reserved

See section “Conditional Execution” for more information about the APSR negative, zero, carry or borrow, and overflow flags.

Interrupt Program Status Register (IPSR)

The IPSR contains the exception number of the current *Interrupt Service Routine (ISR)*. See the register summary in Table 2.2 for its attributes. The bit assignments are given in Table 2.5.

Table 2.5 IPSR Bit Assignments

Bits	Name	Function
[31:6]	-	Reserved
[5:0]	Exception number	This is the number of the current exception: 0 = Thread Mode 1 = Reserved 2 = NMI 3 = HardFault 4-10 = Reserved 11 = SVCall 12, 13 = Reserved 14 = PendSV 15 = SysTick Reserved 16 = IRQ0 . . . 24 = IRQ8 25-63 = Reserved. See section “Exception Types” for more information.

Execution Program Status Register (EPSR)

The EPSR contains the Thumb® state bit. See the register summary in Table 2.2 for the EPSR attributes. The bit assignments are given in Table 2.6.

Table 2.6 *EPSR Bit Assignments*

Bits	Name	Function
[31:25]	-	Reserved
[24]	T	Thumb® state bit
[23:0]	-	Reserved

Attempts by application software to read the EPSR directly using the MRS instruction always return zero. Attempts to write the EPSR using the MSR instruction are ignored. Fault handlers can examine the EPSR value in the stacked PSR to determine the cause of the fault. See section “Exception Entry and Return.” The following can clear the T bit to 0:

- instructions BLX, BX and POP{PC}
- restoration from the stacked xPSR value on an exception return
- bit[0] of the vector value on an exception entry

Attempting to execute instructions when the T bit is 0 results in a HardFault or a lockup. See section “Lockup” for more information.

Interruptible-Restartable Instructions

The interruptible-restartable instructions are LDM and STM. When an interrupt occurs during the execution of one of these instructions, the processor abandons execution of the instruction.

After servicing the interrupt, the processor restarts execution of the instruction from the beginning.

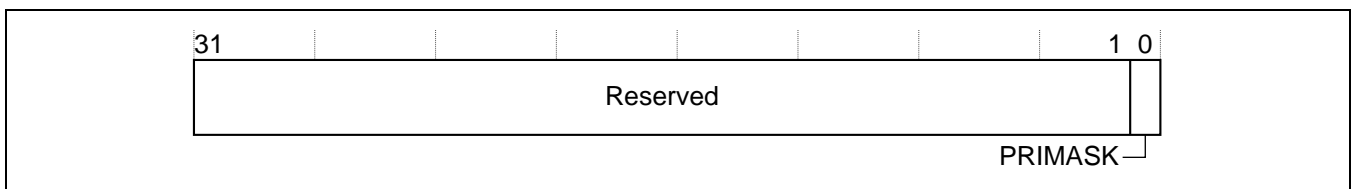
2.2.1.3.6 Exception Mask Register (PRIMASK)

The exception mask register disables the handling of exceptions by the processor. Disable exceptions where they might impact on timing critical tasks or code sequences requiring atomicity.

To disable or re-enable exceptions, use the MSR and MRS instructions, or the CPS instruction, to change the value of PRIMASK. See “MRS,” “MSR,” and “CPS” for more information.

The PRIMASK register prevents activation of all exceptions with configurable priority. See the register summary in Table 2.2 for its attributes.

Figure 2.4 PRIMASK Register



The bit assignments are given in Table 2.7.

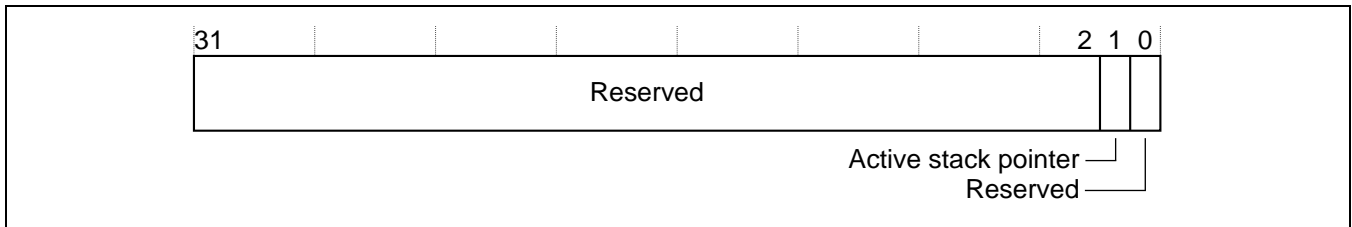
Table 2.7 PRIMASK Register Bit Assignments

Bits	Name	Function
[31:1]	-	Reserved
[0]	PRIMASK	0 = no effect 1 = prevents the activation of all exceptions with configurable priority.

2.2.1.3.7 Control Register (CONTROL)

The CONTROL register controls the stack used when the processor is in Thread Mode. See the register summary in Table 2.2 for its attributes.

Figure 2.5 CONTROL Register



The bit assignments are given in Table 2.8.

Table 2.8 CONTROL Register Bit Assignments

Bits	Name	Function
[31:2]	-	Reserved
[1]	Active stack pointer	Defines the current stack: 0 = MSP is the current stack pointer 1 = PSP is the current stack pointer. In Handler Mode this bit reads as zero and ignores writes.
[0]	-	Reserved.

Handler Mode always uses the MSP, so the processor ignores explicit writes to the active stack pointer bit of the CONTROL register when in Handler Mode. The exception entry and return mechanisms update the CONTROL register.

In an OS environment, it is recommended that threads running in Thread Mode use the process stack and the kernel and exception handlers use the main stack.

By default, Thread Mode uses the MSP. To switch the stack pointer used in Thread Mode to the PSP, use the MSR instruction to set the Active stack pointer bit to 1, see “MRS.”

Note: When changing the stack pointer, software must use an ISB instruction immediately after the MSR instruction. This ensures that instructions after the ISB execute using the new stack pointer. See “ISB.”

2.2.1.4 Exceptions and Interrupts

The Cortex™-M0 processor supports interrupts and system exceptions. The processor and the *Nested Vectored Interrupt Controller* (NVIC) prioritize and handle all exceptions. An interrupt or exception changes the normal flow of software control. The processor uses Handler Mode to handle all exceptions except for reset. See section “Exception Entry and Return” for more information.

The NVIC registers control interrupt handling. See section “Nested Vectored Interrupt Controller (NVIC)” for more information.

2.2.1.5 Data Types

The processor

- supports the following data types:
 - 32-bit words
 - 16-bit halfwords
 - 8-bit bytes

and manages all data memory accesses as little-endian. Instruction memory and *Private Peripheral Bus* (PPB) accesses are always little-endian. See section “Memory Regions, Types, and Attributes” for more information.

2.2.1.6 The Cortex™ Microcontroller Software Interface Standard (CMSIS)

ARM, Ltd. provides the *Cortex™ Microcontroller Software Interface Standard* (CMSIS) for programming Cortex™-M0 microcontrollers. The CMSIS is an integrated part of the device driver library. For a Cortex™-M0 microcontroller system, CMSIS defines:

- a common way to
 - access peripheral registers
 - define exception vectors
- the names of
 - the registers of the core peripherals
 - the core exception vectors
- a device-independent interface for RTOS kernels.

The CMSIS includes address definitions and data structures for the core peripherals in the Cortex™-M0 processor. It also includes optional interfaces for middleware components comprising a TCP/IP stack and a Flash file system.

The CMSIS simplifies software development by enabling the reuse of template code and the combination of CMSIS-compliant software components from various middleware vendors. Software vendors can expand the CMSIS to include their peripheral definitions and access functions for those peripherals.

This document includes the register names defined by the CMSIS and gives short descriptions of the CMSIS functions that address the processor core and the core peripherals.

Note: This document uses the register short names defined by the CMSIS. In a few cases, these differ from the architectural short names that might be used in other documents.

The following sections give more information about the CMSIS:

- section “Power Management Programming Hints”
- section “Intrinsic Functions”
- section “Accessing the Cortex™-M0 NVIC registers using CMSIS”
- section “NVIC Usage Hints and Tips”

2.2.2 Memory Model

This section describes the processor memory map and the behavior of memory accesses. The processor has a fixed memory map that provides up to 4GB of addressable memory. The memory map is shown in Figure 2.6.

Figure 2.6 General ARM® Memory Map

		0xFFFFFFFF
Device	511MB	
Private peripheral bus	1MB	0xE0100000 0xE00FFFFFF 0xE0000000 0xDFFFFFFF
External device	1.0GB	
External RAM	1.0GB	0xA0000000 0x9FFFFFFF
Peripheral	0.5GB	0x60000000 0x5FFFFFFF
SRAM	0.5GB	0x40000000 0x3FFFFFFF
Code	0.5GB	0x20000000 0x1FFFFFFF
		0x00000000

The processor reserves regions of the *Private Peripheral Bus* (PPB) address range for core peripheral registers; see section “About the Cortex™-M0 Processor and Core Peripherals.”

2.2.2.1 Memory Regions, Types, and Attributes

The memory map is split into regions. Each region has a defined memory type, and some regions have additional memory attributes. The memory type and attributes determine the behavior of accesses to the region.

The memory types are

- Normal** The processor can re-order transactions for efficiency, or perform speculative reads.
- Device** The processor preserves transaction order relative to other transactions to Device or Strongly-ordered memory.
- Strongly-ordered** The processor preserves transaction order relative to all other transactions.

The different ordering requirements for Device and Strongly-ordered memory mean that the memory system can buffer a write to Device memory, but must not buffer a write to Strongly-ordered memory.

The additional memory attributes include

- Execute Never (XN)** Means the processor prevents instruction accesses. A HardFault exception is generated on executing an instruction fetched from an XN region of memory.

2.2.2.2 Memory System Ordering of Memory Accesses

For most memory accesses caused by explicit memory access instructions, the memory system does not guarantee that the order in which the accesses complete matches the program order of the instructions, providing any re-ordering does not affect the behavior of the instruction sequence. Normally, if correct program execution depends on two memory accesses completing in program order, software must insert a memory barrier instruction between the memory access instructions; see section “Software Ordering of Memory Accesses.”

However, the memory system does guarantee some ordering of accesses to Device and Strongly-ordered memory. For two memory access instructions A1 and A2, if A1 occurs before A2 in program order, the ordering of the memory accesses caused by two instructions is as shown in Figure 2.7.

Figure 2.7 Memory Access Ordering if Memory Access Instruction A1 Occurs Before Instruction A2

A1 \ A2	Normal access	Device access		Strongly-ordered access
		Non-shareable	Shareable	
Normal access	-	-	-	-
Device access, non-shareable	-	<	-	<
Device access, shareable	-	-	<	<
Strongly-ordered access	-	<	<	<

Where:

- Means that the memory system does not guarantee the ordering of the accesses.
- < Means that accesses are observed in program order, that is, A1 is always observed before A2.

2.2.2.3 Behavior of Memory Accesses

The behavior of accesses to each region in the memory map is given in Table 2.9.

Table 2.9 Memory Access Behavior

Address Range	Memory Region	Memory Type	XN	Description
0x00000000-0x1FFFFFFF	Code	Normal	-	Executable region for program code. Data can also be put here.
0x20000000-0x3FFFFFFF	SRAM	Normal	-	Executable region for data. Code can also be put here.
0x40000000-0x5FFFFFFF	Peripheral	Device	XN	External device memory.
0x60000000-0x9FFFFFFF	External RAM	Normal	-	Executable region for data.
0xA0000000-0xDFFFFFFF	External device	Device	XN	External device memory.
0xE0000000-0xE0FFFFFF	Private Peripheral Bus	Strongly-ordered	XN	This region includes the NVIC, System timer, and System Control Block. Only word accesses can be used in this region.
0xE0100000-0xFFFFFFFF	Device	Device	XN	Vendor specific.

The Code, SRAM, and external RAM regions can hold programs.

2.2.2.4 Software Ordering of Memory Accesses

The order of instructions in the program flow does not always guarantee the order of the corresponding memory transactions. This is because

- the processor can reorder some memory accesses to improve efficiency, providing this does not affect the behavior of the instruction sequence
- memory or devices in the memory map might have different wait states
- some memory accesses are buffered or speculative.

Section “Memory System Ordering of Memory Accesses” describes the cases where the memory system guarantees the order of memory accesses. Otherwise, if the order of memory accesses is critical, software must include memory barrier instructions to force that ordering. The processor provides the following memory barrier instructions:

DMB	The <i>Data Memory Barrier</i> (DMB) instruction ensures that outstanding memory transactions complete before subsequent memory transactions. See “DMB.”
DSB	The <i>Data Synchronization Barrier</i> (DSB) instruction ensures that outstanding memory transactions complete before subsequent instructions execute. See “DSB.”
ISB	The <i>Instruction Synchronization Barrier</i> (ISB) ensures that the effect of all completed memory transactions is recognizable by subsequent instructions. See “ISB.”

The following are examples of using memory barrier instructions:

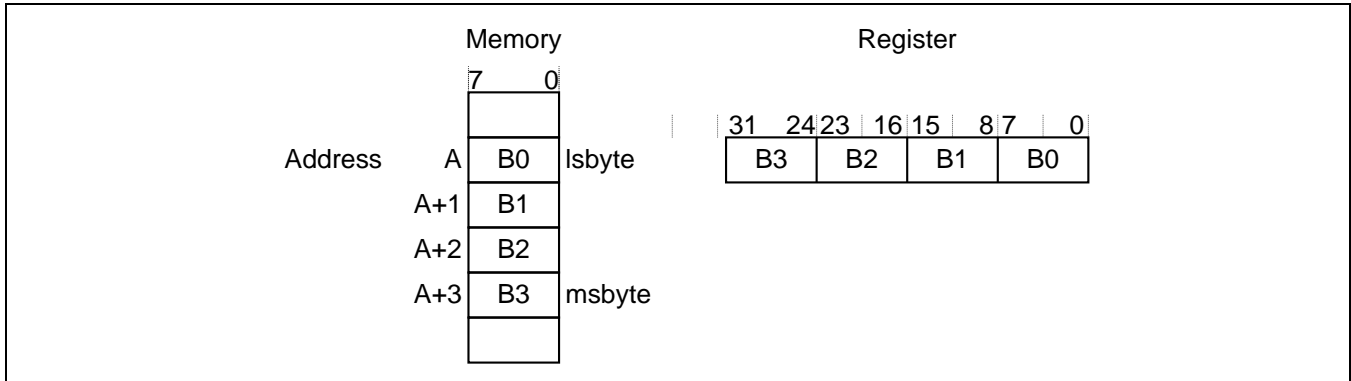
Vector table	If the program changes an entry in the vector table and then enables the corresponding exception, use a DMB instruction between the operations. This ensures that if the exception is taken immediately after being enabled, the processor uses the new exception vector.
Self-modifying code	If a program contains self-modifying code, use an ISB instruction immediately after the code modification in the program. This ensures subsequent instruction execution uses the updated program.
Memory map switching	If the system contains a memory map switching mechanism, use a DSB instruction after switching the memory map. This ensures subsequent instruction execution uses the updated memory map.

Memory accesses to Strongly-ordered memory, such as the System Control Block, do not require the use of DMB instructions.

2.2.2.5 Memory Endianness

The processor views memory as a linear collection of bytes numbered in ascending order from zero. For example, bytes 0-3 hold the first stored word, and bytes 4-7 hold the second stored word. The words are stored in little-endian format into memory. In little-endian format, the processor stores the *least significant byte* (lsbyte) of a word at the lowest-numbered byte, and the *most significant byte* (msbyte) at the highest-numbered byte.

Figure 2.8 Example of Little-Endian Format



2.2.3 Exception Model

This section describes the exception model.

2.2.3.1 Exception States

Each exception is in one of the following states:

- Inactive** The exception is not active and not pending.
- Pending** The exception is waiting to be serviced by the processor. An interrupt request from a peripheral or from software can change the state of the corresponding interrupt to pending.
- Active** An exception that is being serviced by the processor but has not completed.

Note: An exception handler can interrupt the execution of another exception handler. In this case, both exceptions are in the active state.

- Active and pending** The exception is being serviced by the processor and there is a pending exception from the same source.

2.2.3.2 Exception Types

The exception types are

Reset	Reset is invoked on power up or a warm reset. The exception model treats reset as a special form of exception. When reset is asserted, the operation of the processor stops, potentially at any point in an instruction. When reset is deasserted, execution restarts from the address provided by the reset entry in the vector table. Execution restarts in Thread Mode.
NMI	<p>A <i>NonMaskable Interrupt</i> (NMI) can be signaled by a peripheral or triggered by software. This is the highest priority exception other than reset. It is permanently enabled and has a fixed priority of -2.</p> <p>NMIs cannot be</p> <ul style="list-style-type: none">• masked or prevented from activation by any other exception• preempted by any exception other than Reset.
HardFault	A HardFault is an exception that occurs because of an error during normal or exception processing. HardFaults have a fixed priority of -1, meaning they have higher priority than any exception with configurable priority.
SVC	A <i>supervisor call</i> (SVC) is an exception that is triggered by the <i>svc</i> instruction. In an OS environment, applications can use <i>svc</i> instructions to access OS kernel functions and device drivers.
PendSV	PendSV is an interrupt-driven request for system-level service. In an OS environment, use PendSV for context switching when no other exception is active.
SysTick	A SysTick exception is an exception the system timer generates when it reaches zero. Software can also generate a SysTick exception. In an OS environment, the processor can use this exception as system tick.
Interrupt (IRQ)	An interrupt, or IRQ, is an exception signaled by a peripheral or generated by a software request. All interrupts are asynchronous to instruction execution. In the system, peripherals use interrupts to communicate with the processor.

Table 2.10 Properties of the Different Exception Types

Exception Number	IRQ Number	Exception Type	Priority	Vector Address	Activation
1	-	Reset	-3, the highest	0x00000004	Asynchronous
2	-14	NMI	-2	0x00000008	Asynchronous
3	-13	HardFault	-1	0x0000000C	Synchronous
4-10	-	Reserved	-	-	-
11	-5	SVCALL	Configurable	0x0000002C	Synchronous
12-13	-	Reserved	-	-	-
14	-2	PendSV	Configurable	0x00000038	Asynchronous
15	-1	SysTick	Configurable	0x0000003C	Asynchronous
16	0	Flash	Configurable	0x00000040	Asynchronous
17	1	External	Configurable	0x00000044	Asynchronous
18	2	SW-LIN	Configurable	0x00000048	Asynchronous
19	3	SPI_1	Configurable	0x0000004C	Asynchronous
20	4	Timer32	Configurable	0x00000050	Asynchronous
21	5	GPIO	Configurable	0x00000054	Asynchronous
22	6	SPI_2	Configurable	0x00000058	Asynchronous
23	7	USART	Configurable	0x0000005C	Asynchronous
24	8	I ² C	Configurable	0x00000060	Asynchronous

For an asynchronous exception, other than reset, the processor can execute additional instructions between when the exception is triggered and when the processor enters the exception handler.

Privileged software can disable the exceptions that Table 2.10 shows as having configurable priority; see Table 2.26.

For more information about HardFaults, see section “Fault Handling.”

2.2.3.3 Exception Handlers

The processor handles exceptions using

- Interrupt Service Routines (ISRs)** Interrupts IRQ0 (Flash) to IRQ8 (I2C) are the exceptions handled by ISRs.
- Fault handler** HardFault is the only exception handled by the fault handler.
- System handlers** NMI, PendSV, SVCall SysTick, and HardFault are all system exceptions handled by system handlers.

2.2.3.4 Vector Table

The vector table contains the reset value of the stack pointer and the start addresses, also called exception vectors, for all exception handlers. Figure 2.9 shows the order of the exception vectors in the vector table. The least-significant bit of each vector must be 1, indicating that the exception handler is written in Thumb® code.

Figure 2.9 Vector Table

Exception number	IRQ number	Vector	Offset
24	8	IRQ8 (I ² C)	0x60
.		⋮	⋮
.		⋮	⋮
.		⋮	⋮
18	2	IRQ2 (SW-LIN)	0x48
17	1	IRQ1 (External)	0x44
16	0	IRQ0 (Flash)	0x40
15	-1	SysTick	0x3C
14	-2	PendSV	0x38
13		Reserved	
12			
11	-5	SVCall	0x2C
10			
9			
8			
7		Reserved	
6			
5			
4			0x10
3	-13	HardFault	0x0C
2	-14	NMI	0x08
1		Reset	0x04
		Initial SP value	0x00

The vector table is fixed at address 0x00000000.

2.2.3.5 Exception Priorities

As Table 2.10 shows, all exceptions have an associated priority, with

- a lower priority value indicating a higher priority
- configurable priorities for all exceptions except Reset, HardFault, and NMI

If software does not configure any priorities, then all exceptions with a configurable priority have a priority of 0. For information about configuring exception priorities, see

- section “System Handler Priority Registers (SHPR2-3)”
- section “Interrupt Priority Registers (IPR0 – IPR2)”

Note: Configurable priority values are in the range of 0-192, in steps of 64. The Reset, HardFault, and NMI exceptions, with fixed negative priority values, always have higher priority than any other exception.

Assigning a higher priority value to IRQ[0] and a lower priority value to IRQ[1] means that IRQ[1] has higher priority than IRQ[0]. If both IRQ[1] and IRQ[0] are asserted, IRQ[1] is processed before IRQ[0].

If multiple pending exceptions have the same priority, the pending exception with the lowest exception number takes precedence. For example, if both IRQ[0] and IRQ[1] are pending and have the same priority, then IRQ[0] is processed before IRQ[1].

When the processor is executing an exception handler, the exception handler is preempted if a higher priority exception occurs. If an exception occurs with the same priority as the exception being handled, the handler is not preempted, irrespective of the exception number. However, the status of the new interrupt changes to pending.

2.2.3.6 Exception Entry and Return

Descriptions of exception handling use the following terms:

- Preemption** When the processor is executing an exception handler, an exception can preempt the exception handler if its priority is higher than the priority of the exception being handled. When one exception preempts another, the exceptions are called nested exceptions. See exception entry below for more information.
- Return** This occurs when the exception handler is completed, and
- there is no pending exception with sufficient priority to be serviced
 - the completed exception handler was not handling a late-arriving exception.
- The processor pops the stack and restores the processor state to the state it had before the interrupt occurred. See “Exception Return” below for more information.
- Tail-chaining** This mechanism speeds up exception servicing. On completion of an exception handler, if there is a pending exception that meets the requirements for exception entry, the stack pop is skipped and control transfers to the new exception handler.
- Late-arriving** This mechanism speeds up preemption. If a higher priority exception occurs during state saving for a previous exception, the processor switches to handle the higher priority exception and initiates the vector fetch for that exception. State saving is not affected by late arrival because the state saved would be the same for both exceptions. On return from the exception handler of the late-arriving exception, the normal tail-chaining rules apply.

Exception Entry

Exception entry occurs when there is a pending exception with sufficient priority and either

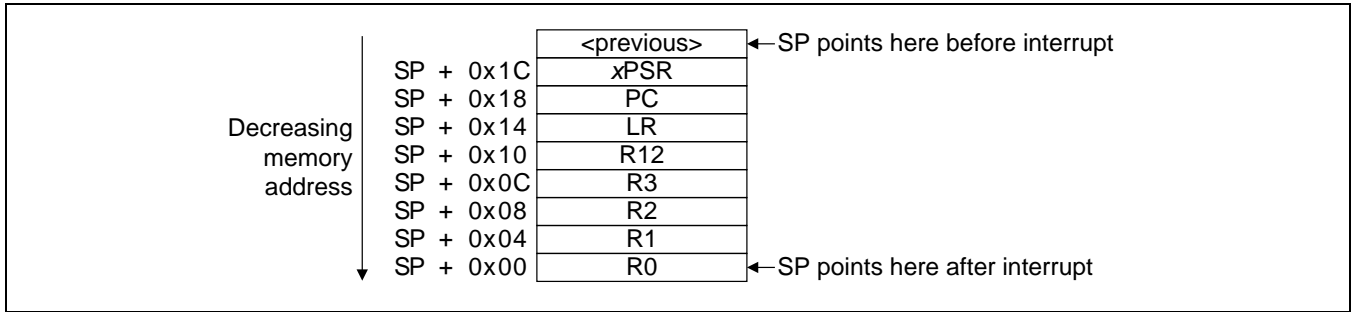
- the processor is in Thread Mode
- the new exception is of higher priority than the exception being handled, in which case, the new exception preempts the exception being handled.

When one exception preempts another, the exceptions are nested.

Sufficient priority means the exception has greater priority than any limit set by the mask register, see “Exception Mask Register (PRIMASK).” An exception with less priority than this is pending but is not handled by the processor.

When the processor takes an exception, unless the exception is a tail-chained or a late-arriving exception, the processor pushes information onto the current stack. This operation is referred to as *stacking* and the structure of eight data words is referred to as a *stack frame*. The stack frame contains the information given in Figure 2.10.

Figure 2.10 Exception Entry Stack Contents



Immediately after stacking, the stack pointer indicates the lowest address in the stack frame. The stack frame is aligned to a double-word address.

The stack frame includes the return address. This is the address of the next instruction in the interrupted program. This value is restored to the PC at exception return so that the interrupted program resumes.

The processor performs a vector fetch that reads the exception handler start address from the vector table. When stacking is complete, the processor starts executing the exception handler. At the same time, the processor writes an EXC_RETURN value to the LR. This indicates which stack pointer corresponds to the stack frame and what operation mode the processor was in before the entry occurred.

If no higher priority exception occurs during exception entry, the processor starts executing the exception handler and automatically changes the status of the corresponding pending interrupt to active.

If another higher priority exception occurs during exception entry, the processor starts executing the exception handler for this exception and does not change the pending status of the earlier exception. This is the late arrival case.

Exception Return

Exception return occurs when the processor is in Handler Mode and execution of one of the following instructions attempts to set the PC to an EXC_RETURN value:

- a POP instruction that loads the PC
- a BX instruction using any register.

The processor saves an EXC_RETURN value to the LR on exception entry. The exception mechanism relies on this value to detect when the processor has completed an exception handler. Bits[31:4] of an EXC_RETURN value are 0xFFFFFFFF. When the processor loads a value matching this pattern to the PC, it detects that the operation is a not a normal branch operation and, instead, that the exception is complete. Therefore, it starts the exception return sequence. Bits[3:0] of the EXC_RETURN value indicate the required return stack and processor mode, as Table 2.11 shows.

Table 2.11 Exception Return Behavior

EXC_RETURN	Description
0xFFFFFFFF1	Return to Handler Mode. Exception return gets state from the main stack. Execution uses MSP after return.
0xFFFFFFFF9	Return to Thread Mode. Exception return gets state from MSP. Execution uses MSP after return.
0xFFFFFFFDD	Return to Thread Mode. Exception return gets state from PSP. Execution uses PSP after return.
All other values	Reserved.

2.2.4 Fault Handling

Faults are a subset of exceptions; see section “Exceptions and Interrupts.” All faults result in the HardFault exception being taken or cause lockup if they occur in the NMI or HardFault handler.

The faults are

- execution of an SVC instruction at a priority equal or higher than SVCall
- execution of a BKPT instruction without a debugger attached
- a system-generated bus error on a load or store
- execution of an instruction from an XN memory address
- execution of an instruction from a location for which the system generates a bus fault
- a system-generated bus error on a vector fetch
- execution of an Undefined instruction
- execution of an instruction when not in Thumb®-State as a result of the T-bit being previously cleared to 0
- an attempted load or store to an unaligned address.

Note: Only Reset and NMI can preempt the fixed priority HardFault handler. A HardFault can preempt any exception other than Reset, NMI, or another hard fault.

2.2.4.1 Lockup

The processor enters a lockup state if a fault occurs when executing the NMI or HardFault handlers, or if the system generates a bus error when unstacking the PSR on an exception return using the MSP. When the processor is in lockup state, it does not execute any instructions. The processor remains in lockup state until one of the following occurs:

- it is reset
- a debugger halts it
- an NMI occurs and the current lockup is in the HardFault handler

Note: If lockup state occurs in the NMI handler, a subsequent NMI does not cause the processor to leave lockup state.

2.2.5 Power Management

The Cortex™-M0 processor sleep modes reduce power consumption:

- a sleep mode, which stops the processor clock
- a deep sleep mode, which stops the system clock and flash memory. This mode is mainly controlled by SBC.

The SLEEPDEEP bit of the SCR selects which sleep mode is used, see Table 2.35. For more information about the behavior of the sleep modes, see corresponding data sheet.

The next section describes the mechanisms for entering sleep mode and the conditions for waking up from sleep mode.

2.2.5.1 Entering Sleep Mode

This section describes the mechanisms software can use to put the processor into sleep mode.

The system can generate spurious wakeup events; for example, a debug operation wakes up the processor. Therefore software must be able to put the processor back into sleep mode after such an event. A program might have an idle loop to put the processor back in to sleep mode.

- Wait for interrupt** The Wait For Interrupt instruction, WFI, causes immediate entry to sleep mode. When the processor executes a WFI instruction, it stops executing instructions and enters sleep mode. See “WFI” for more information.
- Wait for event** Not supported by MCU!
- Sleep-on-exit** If the SLEEPONEXIT bit of the SCR is set to 1, when the processor completes the execution of an exception handler and returns to Thread Mode, it immediately enters sleep mode. Use this mechanism in applications that only require the processor to run when an interrupt occurs.

2.2.5.2 Wakeup from Sleep Mode

The conditions for the processor to wakeup depend on the mechanism that caused it to enter sleep mode.

Wakeup from WFI or sleep-on-exit

Normally, the processor wakes up only when it detects an exception with sufficient priority to cause exception entry.

Some embedded systems might have to execute system restore tasks after the processor wakes up and before it executes an interrupt handler. To achieve this, set the PRIMASK bit to 1. If an interrupt arrives that is enabled and has a higher priority than current exception priority, the processor wakes up but does not execute the interrupt handler until the processor sets PRIMASK to zero. For more information about PRIMASK, see “Exception Mask Register (PRIMASK).”

- Wakeup from WFE** Not supported by MCU!

2.2.5.3 Power Management Programming Hints

ISO/IEC C cannot directly generate the WFI instructions. The CMSIS provides the following intrinsic function for this instruction:

```
void __WFI(void)            // Wait for Interrupt
```

Note: WFE and SEV instructions are not supported and must not be used!

2.3 Cortex™-M0 Instruction Set

2.3.1 Instruction Set Summary

The processor implements a version of the Thumb® instruction set. The following tables list the supported instructions.

Note: Inside this table,

- angle brackets, <>, enclose alternative forms of the operand
- braces, {}, enclose optional operands and mnemonic parts
- the Operands column is not exhaustive

Note: For more information on the instructions and operands, see the instruction descriptions.

Table 2.12 Set of Instructions Supported by the Cortex™-M0 Processor

Mnemonic	Operands	Brief Description	Flags	Section
ADCS	{Rd,} Rn, Rm	Add with Carry	N,Z,C,V	2.3.5.1
ADD{S}	{Rd,} Rn, <Rm/#imm>	Add	N,Z,C,V	2.3.5.1
ADR	Rd, Label	PC-relative Address to Register	-	2.3.4.1
ANDS	{Rd,} Rn, Rm	Bitwise AND	N,Z	2.3.5.2
ASRS	{Rd,} Rm, <Rs/#imm>	Arithmetic Shift Right	N,Z,C	2.3.5.3
B{cc}	Label	Branch {conditionally}	-	2.3.6.1
BICS	{Rd,} Rn, Rm	Bit Clear	N,Z	2.3.5.2
BKPT	#imm	Breakpoint	-	2.3.7.1
BL	Label	Branch with Link	-	2.3.6.1
BLX	Rm	Branch indirect with Link	-	2.3.6.1
BX	Rm	Branch indirect	-	2.3.6.1
CMN	Rn, Rm	Compare Negative	N,Z,C,V	2.3.5.4
CMP	Rn, <Rm/#imm>	Compare	N,Z,C,V	2.3.5.4
CPSID	i	Change Processor State, Disable Interrupts	-	2.3.7.2
CPSIE	i	Change Processor State, Enable Interrupts	-	2.3.7.2
DMB	-	Data Memory Barrier	-	2.3.7.3

Mnemonic	Operands	Brief Description	Flags	Section
DSB	-	Data Synchronization Barrier	-	2.3.7.4
EORS	{ <i>Rd</i> ,} <i>Rn</i> , <i>Rm</i>	Exclusive OR	N,Z	2.3.5.2
ISB	-	Instruction Synchronization Barrier	-	2.3.7.5
LDM	<i>Rn</i> {!}, <i>regList</i>	Load Multiple registers, increment after	-	2.3.4.5
LDR	<i>Rt</i> , <i>Label</i>	Load Register from PC-relative address	-	2.3.4
LDR	<i>Rt</i> , [<i>Rn</i> , < <i>Rm</i> # <i>imm</i> >]	Load Register with word	-	2.3.4
LDRB	<i>Rt</i> , [<i>Rn</i> , < <i>Rm</i> # <i>imm</i> >]	Load Register with byte	-	2.3.4
LDRH	<i>Rt</i> , [<i>Rn</i> , < <i>Rm</i> # <i>imm</i> >]	Load Register with halfword	-	2.3.4
LDRSB	<i>Rt</i> , [<i>Rn</i> , < <i>Rm</i> # <i>imm</i> >]	Load Register with signed byte	-	2.3.4
LDRSH	<i>Rt</i> , [<i>Rn</i> , < <i>Rm</i> # <i>imm</i> >]	Load Register with signed halfword	-	2.3.4
LSLS	{ <i>Rd</i> ,} <i>Rn</i> , < <i>Rs</i> # <i>imm</i> >	Logical Shift Left	N,Z,C	2.3.5.3
LSRS	{ <i>Rd</i> ,} <i>Rn</i> , < <i>Rs</i> # <i>imm</i> >	Logical Shift Right	N,Z,C	2.3.5.3
MOV{ <i>S</i> }	<i>Rd</i> , <i>Rm</i>	Move	N,Z	2.3.5.5
MRS	<i>Rd</i> , <i>spec_reg</i>	Move to general register from special register	-	2.3.7.6
MSR	<i>spec_reg</i> , <i>Rm</i>	Move to special register from general register	N,Z,C,V	2.3.7.7
MULS	<i>Rd</i> , <i>Rn</i> , <i>Rm</i>	Multiply, 32-bit result	N,Z	2.3.5.6
MVNS	<i>Rd</i> , <i>Rm</i>	Bitwise NOT	N,Z	2.3.5.5
NOP	-	No Operation	-	2.3.7.8
ORRS	{ <i>Rd</i> ,} <i>Rn</i> , <i>Rm</i>	Logical OR	N,Z	2.3.5.2
POP	<i>regList</i>	Pop registers from stack	-	2.3.4.6
PUSH	<i>regList</i>	Push registers onto stack	-	2.3.4.6
REV	<i>Rd</i> , <i>Rm</i>	Byte-Reverse word	-	2.3.5.7
REV16	<i>Rd</i> , <i>Rm</i>	Byte-Reverse packed halfwords	-	2.3.5.7

Mnemonic	Operands	Brief Description	Flags	Section
REVSH	<i>Rd, Rm</i>	Byte-Reverse signed halfword	-	2.3.5.7
RORS	{ <i>Rd</i> ,} <i>Rn, Rs</i>	Rotate Right	N,Z,C	2.3.5.3
RSBS	{ <i>Rd</i> ,} <i>Rn, #0</i>	Reverse Subtract	N,Z,C,V	2.3.5.1
SBCS	{ <i>Rd</i> ,} <i>Rn, Rm</i>	Subtract with Carry	N,Z,C,V	2.3.5.1
STM	<i>Rn!</i> , <i>reglist</i>	Store Multiple registers, increment after	-	2.3.4.5
STR	<i>Rt</i> , [<i>Rn</i> , < <i>Rm</i> # <i>imm</i> >]	Store Register as word	-	2.3.4
STRB	<i>Rt</i> , [<i>Rn</i> , < <i>Rm</i> # <i>imm</i> >]	Store Register as byte	-	2.3.4
STRH	<i>Rt</i> , [<i>Rn</i> , < <i>Rm</i> # <i>imm</i> >]	Store Register as halfword	-	2.3.4
SUB{S}	{ <i>Rd</i> ,} <i>Rn</i> , < <i>Rm</i> # <i>imm</i> >	Subtract	N,Z,C,V	2.3.5.1
SVC	# <i>imm</i>	Supervisor Call	-	2.3.7.9
SXTB	<i>Rd, Rm</i>	Sign extend byte	-	2.3.5.8
SXTH	<i>Rd, Rm</i>	Sign extend halfword	-	2.3.5.8
TST	<i>Rn, Rm</i>	Logical AND based test	N,Z	2.3.5.9
UXTB	<i>Rd, Rm</i>	Zero extend a byte	-	2.3.5.8
UXTH	<i>Rd, Rm</i>	Zero extend a halfword	-	2.3.5.8
WFI	-	Wait For Interrupt	-	2.3.7.10

2.3.2 Intrinsic Functions

ISO/IEC C code cannot directly access some Cortex™-M0 instructions. This section describes intrinsic functions that can generate these instructions, provided by the CMSIS and that might be provided by a C compiler. If a C compiler does not support an appropriate intrinsic function, it might be necessary to use inline assembler to access the relevant instruction.

The CMSIS provides the following intrinsic functions to generate instructions that ISO/IEC C code cannot directly access:

Table 2.13 CMSIS Intrinsic Functions to Generate some Cortex™-M0 Instructions

Instruction	CMSIS Intrinsic Function
CPSIE i	void __enable_irq(void)
CPSID i	void __disable_irq(void)
ISB	void __ISB(void)
DSB	void __DSB(void)
DMB	void __DMB(void)
NOP	void __NOP(void)
REV	uint32_t __REV(uint32_t int value)
REV16	uint32_t __REV16(uint32_t int value)
REVSH	uint32_t __REVSH(uint32_t int value)
WFI	void __WFI(void)

The CMSIS also provides a number of functions for accessing the special registers using MRS and MSR instructions:

Table 2.14 CMSIS Intrinsic Functions to Access the Special Registers

Special Register	Access	CMSIS Function
PRIMASK	Read	uint32_t __get_PRIMASK (void)
	Write	void __set_PRIMASK (uint32_t value)
CONTROL	Read	uint32_t __get_CONTROL (void)
	Write	void __set_CONTROL (uint32_t value)
MSP	Read	uint32_t __get_MSP (void)
	Write	void __set_MSP (uint32_t TopOfMainStack)
PSP	Read	uint32_t __get_PSP (void)
	Write	void __set_PSP (uint32_t TopOfProcStack)

2.3.3 About the Instruction Description

2.3.3.1 Operands

An instruction operand can be an ARM® register, a constant, or another instruction-specific parameter. Instructions act on the operands and often store the result in a destination register. When there is a destination register in the instruction, it is usually specified before the other operands.

2.3.3.2 Restrictions when Using PC or SP

Many instructions are unable to use or have restrictions on use of the *Program Counter* (PC) or *Stack Pointer* (SP) for the operands or destination register. See instruction descriptions for more information.

Note: When the PC is updated with a BX, BLX, or POP instruction, bit[0] of any address must be 1 for correct execution. This is because this bit indicates the destination instruction set, and the Cortex™-M0 processor only supports Thumb® instructions. When a BL or BLX instruction writes the value of bit[0] into the LR, it is automatically assigned the value 1.

2.3.3.3 Shift Operations

Register shift operations move the bits in a register left or right by a specified number of bits, the *shift length*. Register shift can be performed directly by the instructions ASR, LSR, LSL and ROR, and the result is written to a destination register.

The permitted shift lengths depend on the shift type and the instruction; see the individual instruction description. If the shift length is 0, no shift occurs. Register shift operations update the carry flag except when the specified shift length is 0. The following sub-sections describe the various shift operations and how they affect the carry flag. In these descriptions, Rm is the register containing the value to be shifted, and n is the shift length.

ASR

Arithmetic shift right by n bits moves the left-hand $32-n$ bits of the register Rm to the right by n places, into the right-hand $32-n$ bits of the result, and it copies the original bit[31] of the register into the left-hand n bits of the result.

Figure 2.11 ASR #3



The ASR operation can be used to divide the signed value in the register Rm by 2^n , with the result being rounded towards negative-infinity.

When the instruction is ASRS, the carry flag is updated to the last bit shifted out, bit[$n-1$], of the register Rm .

Note: If n is 32 or more, then all the bits in the result are set to the value of bit[31] of Rm .

Note: If n is 32 or more and the carry flag is updated, it is updated to the value of bit[31] of Rm .

LSR

Logical shift right by n bits moves the left-hand $32-n$ bits of the register Rm to the right by n places, into the right-hand $32-n$ bits of the result, and it sets the left-hand n bits of the result to 0.

Figure 2.12 LSR #3



The LSR operation can be used to divide the value in the register Rm by 2^n , if the value is regarded as an unsigned integer.

When the instruction is LSRS, the carry flag is updated to the last bit shifted out, bit[$n-1$], of the register Rm .

Note: If n is 32 or more, then all the bits in the result are cleared to 0.

Note: If n is 33 or more and the carry flag is updated, it is updated to 0.

LSL

Logical shift left by n bits moves the right-hand $32-n$ bits of the register R_m , to the left by n places, into the left-hand $32-n$ bits of the result, and it sets the right-hand n bits of the result to 0.

Figure 2.13 LSL #3



The LSL operation can be used to multiply the value in the register R_m by 2^n , if the value is regarded as an unsigned integer or a two's complement signed integer. Overflow can occur without warning.

When the instruction is LSLS the carry flag is updated to the last bit shifted out, bit[32- n], of the register R_m . These instructions do not affect the carry flag when used with LSL #0.

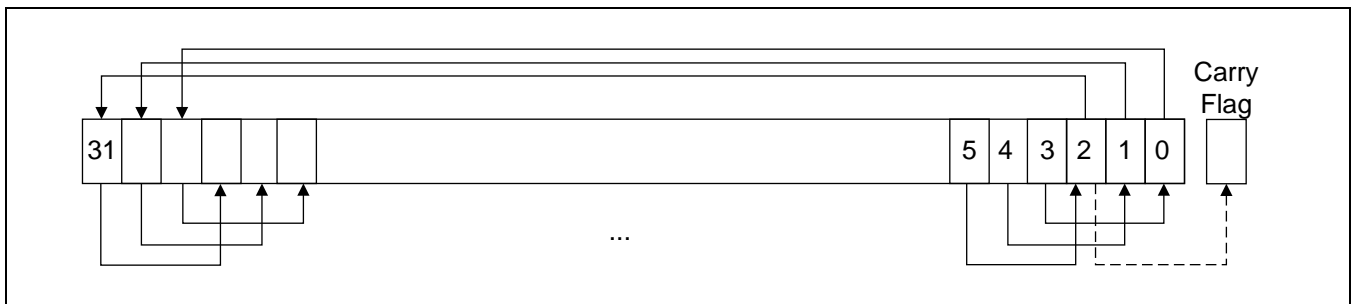
Note: If n is 32 or more, then all the bits in the result are cleared to 0.

Note: If n is 33 or more and the carry flag is updated, it is updated to 0.

ROR

Rotate right by n bits moves the left-hand $32-n$ bits of the register R_m to the right by n places, into the right-hand $32-n$ bits of the result, and it moves the right-hand n bits of the register into the left-hand n bits of the result.

Figure 2.14 ROR #3



When the instruction is RORS, the carry flag is updated to the last bit rotation, bit[$n-1$], of the register R_m .

Note: If n is 32, then the value of the result is same as the value in R_m , and if the carry flag is updated, it is updated to bit[31] of R_m .

Note: ROR with shift length n , greater than 32 is the same as ROR with shift length $n-32$.

2.3.3.4 Address Alignment

An aligned access is an operation where a word-aligned address is used for a word, or multiple word access, or where a halfword-aligned address is used for a halfword access. Byte accesses are always aligned.

There is no support for unaligned accesses on the Cortex™-M0 processor. Any attempt to perform an unaligned memory access operation results in a HardFault exception.

2.3.3.5 PC-Relative Expressions

A PC-relative expression or *label* is a symbol that represents the address of an instruction or literal data. It is represented in the instruction as the PC value plus or minus a numeric offset. The assembler calculates the required offset from the label and the address of the current instruction. If the offset is too big, the assembler produces an error.

Note: For most instructions, the value of the PC is the address of the current instruction plus 4 bytes.

Note: The user's assembler might permit other syntaxes for PC-relative expressions, such as a label plus or minus a number, or an expression of the form [PC, #*imm*].

2.3.3.6 Conditional Execution

Most data processing instructions update the condition flags in the *Application Program Status Register* (APSR) according to the result of the operation; see *Application Program Status Register* on page 14. Some instructions update all flags, and some only update a subset. If a flag is not updated, the original value is preserved. See the instruction descriptions for the flags they affect.

A conditional branch instruction can be executed, based on the condition flags set in another instruction, either

- immediately after the instruction that updated the flags
- after any number of intervening instructions that have not updated the flags.

On the Cortex™-M0 processor, conditional execution is available by using conditional branches.

The Condition Flags

The APSR contains the following condition flags:

- N** Set to 1 when the result of the operation was negative, cleared to 0 otherwise.
- Z** Set to 1 when the result of the operation was zero, cleared to 0 otherwise.
- C** Set to 1 when the operation resulted in a carry, cleared to 0 otherwise.
- V** Set to 1 when the operation caused overflow, cleared to 0 otherwise.

For more information about the APSR see section “Program Status Register (PSR).”

A carry occurs

- if the result of an addition is greater than or equal to 2^{32}
- if the result of a subtraction is positive or zero
- as the result of a shift or rotate instruction

Overflow occurs when the sign of the result, in bit[31], does not match the sign of the result had the operation been performed at infinite precision; for example,

- if adding two negative values results in a positive value
- if adding two positive values results in a negative value
- if subtracting a positive value from a negative value generates a positive value
- if subtracting a negative value from a positive value generates a negative value

The Compare operations are identical to subtracting, for **CMP**, or adding, for **CMN**, except that the result is discarded. See the instruction descriptions for more information.

Condition Code Suffixes

Conditional branch is shown in syntax descriptions as $B\{cond\}$. A branch instruction with a condition code is only taken if the condition code flags in the APSR meet the specified condition; otherwise the branch instruction is ignored. Table 2.15 shows the condition codes to use. It also shows the relationship between condition code suffixes and the N, Z, C, and V flags.

Table 2.15 Condition Code Suffixes

Suffix	Flags	Meaning
EQ	$Z = 1$	Equal, last flag setting result was zero
NE	$Z = 0$	Not equal, last flag setting result was non-zero
CS or HS	$C = 1$	Higher or same, unsigned
CC or LO	$C = 0$	Lower, unsigned
MI	$N = 1$	Negative
PL	$N = 0$	Positive or zero
VS	$V = 1$	Overflow
VC	$V = 0$	No overflow
HI	$C = 1$ and $Z = 0$	Higher, unsigned
LS	$C = 0$ or $Z = 1$	Lower or same, unsigned
GE	$N = V$	Greater than or equal, signed
LT	$N \neq V$	Less than, signed
GT	$Z = 0$ and $N = V$	Greater than, signed
LE	$Z = 1$ and $N \neq V$	Less than or equal, signed
AL	Can have any value	Always. This is the default when no suffix is specified.

2.3.4 Memory Access Instructions

The following table shows the memory access instructions:

Table 2.16 *Memory access instructions*

Mnemonic	Brief description	See
ADR	Generate PC-relative address	ADR
LDM	Load Multiple registers	LDM and STM
LDR{type}	Load Register using immediate offset	LDR and STR, Immediate Offset
LDR{type}	Load Register using register offset	LDR and STR, Register Offset
LDR	Load Register from PC-relative address	LDR, PC-relative
POP	Pop registers from stack	PUSH and POP
PUSH	Push registers onto stack	PUSH and POP
STM	Store Multiple registers	LDM and STM
STR{type}	Store Register using immediate offset	LDR and STR, Immediate Offset
STR{type}	Store Register using register offset	LDR and STR, Register Offset

2.3.4.1 ADR

Generates a PC-relative address.

Syntax

ADR *Rd*, *Label*

where:

Rd is the destination register.

Label is a PC-relative expression. See section “PC-Relative Expressions.”

Operation

ADR generates an address by adding an immediate value to the PC and writes the result to the destination register.

ADR facilitates the generation of position-independent code because the address is PC-relative.

If ADR is used to generate a target address for a BX or BLX instruction, the user must ensure that bit[0] of the address generated is set to 1 for correct execution.

Restrictions

In this instruction *Rd* must specify R0-R7. The data-value addressed must be word aligned and within 1020 bytes of the current PC.

Condition flags

This instruction does not change the flags.

Examples

ADR R1, TextMessage ; Write address value of a location labelled as TextMessage to R1

ADR R3, [PC, #996] ; Set R3 to value of PC + 996.

2.3.4.2 LDR and STR, Immediate Offset

Load and Store with immediate offset.

Syntax

```
LDR           Rt, [<Rn | SP> {, #imm}]
LDR<B|H>    Rt, [Rn {, #imm}]
STR           Rt, [<Rn | SP>, {, #imm}]
STR<B|H>    Rt, [Rn {, #imm}]
```

where:

Rt is the register to load or store.

Rn is the register on which the memory address is based.

imm is an offset from *Rn*. If *imm* is omitted, it is assumed to be zero.

Operation

LDR, LDRB and LDRH instructions load the register specified by *Rt* with either a word, byte, or halfword data value from memory. Sizes less than word are zero extended to 32-bits before being written to the register specified by *Rt*.

STR, STRB and STRH instructions store the word, least-significant byte or lower halfword contained in the single register specified by *Rt* in to memory. The memory address to load from or store to is the sum of the value in the register specified by either *Rn* or SP and the immediate value *imm*.

Restrictions

In these instructions:

- *Rt* and *Rn* must only specify R0-R7.
- *imm* must be between
 - 0 and 1020 and an integer multiple of four for LDR and STR using SP as the base register
 - 0 and 124 and an integer multiple of four for LDR and STR using R0-R7 as the base register
 - 0 and 62 and an integer multiple of two for LDRH and STRH
 - 0 and 31 for LDRB and STRB.
- The computed address must be divisible by the number of bytes in the transaction; see section “Address Alignment.”

Condition flags

These instructions do not change the flags.

Examples

```
LDR    R4, [R7]           ; Loads R4 from the address in R7.

STR    R2, [R0, #const-struct] ; const-struct is an expression evaluating;
                                ; to a constant in the range 0-1020.
```

2.3.4.3 LDR and STR, Register Offset

Load and Store with register offset.

Syntax

```
LDR           Rt, [Rn, Rm]
LDR<B|H>     Rt, [Rn, Rm]
LDR<SB|SH>   Rt, [Rn, Rm]
STR           Rt, [Rn, Rm]
STR<B|H>     Rt, [Rn, Rm]
```

where:

- Rt* is the register to load or store.
- Rn* is the register on which the memory address is based.
- Rm* is a register containing a value to be used as the offset.

Operation

LDR, LDRB, LDRH, LDRSB and LDRSH load the register specified by *Rt* with either a word, zero extended byte, zero extended halfword, sign extended byte or sign extended halfword value from memory.

STR, STRB and STRH store the word, least-significant byte or lower halfword contained in the single register specified by *Rt* into memory.

The memory address to load from or store to is the sum of the values in the registers specified by *Rn* and *Rm*.

Restrictions

In these instructions:

- *Rt*, *Rn* and *Rm* must only specify R0-R7.
- the computed memory address must be divisible by the number of bytes in the load or store; see section “Address Alignment.”

Condition flags

These instructions do not change the flags.

Examples

```
STR    R0, [R5, R1]    ; Store value of R0 into an address equal to sum of R5 and R1
LDRSH  R1, [R2, R3]    ; Load a halfword from the memory address specified by (R2 + R3)
                          ; sign extend to 32-bits and write to R1.
```


2.3.4.4 LDR, PC-relative

Load register (literal) from memory.

Syntax

LDR *Rt*, *Label*

where:

Rt is the register to load.

Label is a PC-relative expression. See section “PC-Relative Expressions.”

Operation

Loads the register specified by *Rt* from the word in memory specified by *label*.

Restrictions

In these instructions, *label* must be within 1020 bytes of the current PC and word aligned.

Condition flags

These instructions do not change the flags.

Examples

LDR R0, LookUpTable ; Load R0 with a word of data from an address labeled as LookUpTable.

LDR R3, [PC, #100] ; Load R3 with memory word at (PC + 100).

2.3.4.5 LDM and STM

Load and Store Multiple registers.

Syntax

```
LDM  Rn{!}, regList
STM  Rn!, regList
```

where

Rn is the register on which the memory addresses are based.

! writeback suffix.

regList is a list of one or more registers to be loaded or stored, enclosed in braces. It can contain register ranges. It must be comma separated if it contains more than one register or register range; see example below.

LDMIA and LDMFD are synonyms for LDM. LDMIA refers to the base register being Incremented After each access. LDMFD refers to its use for popping data from Full Descending stacks.

STMIA and STMEA are synonyms for STM. STMIA refers to the base register being Incremented After each access. STMEA refers to its use for pushing data onto Empty Ascending stacks.

Operation

LDM instructions load the registers in *regList* with word values from memory addresses based on *Rn*.

STM instructions store the word values in the registers in *regList* to memory addresses based on *Rn*.

The memory addresses used for the accesses are at 4-byte intervals ranging from the value in the register specified by *Rn* to the value in the register specified by $Rn + 4 * (n-1)$, where *n* is the number of registers in *regList*. The accesses happens in order of increasing register numbers, with the lowest numbered register using the lowest memory address and the highest number register using the highest memory address. If the writeback suffix is specified, the value in the register specified by $Rn + 4 * n$ is written back to the register specified by *Rn*.

Restrictions

In these instructions,

- *regList* and *Rn* are limited to R0-R7.
- the writeback suffix must always be used unless the instruction is an LDM where *regList* also contains *Rn*, in which case the writeback suffix must not be used.
- the value in the register specified by *Rn* must be word aligned. See section "" for more information.
- for STM, if *Rn* appears in *regList*, then it must be the first register in the list.

Condition flags

These instructions do not change the flags.

Correct examples

LDM R0, {R0, R3, R4} ; LDMIA is a synonym for LDM

STMIA R1!, {R2-R4, R6}

Incorrect examples

STM R5!, {R4, R5, R6} ; Value stored for R5 is unpredictable

LDM R2, {} ; There must be at least one register in the list

2.3.4.6 PUSH and POP

Push registers onto, and pop registers off a full-descending stack.

Syntax

```
PUSH  reglist
POP   reglist
```

where:

reglist is a non-empty list of registers, enclosed in braces. It can contain register ranges. It must be comma separated if it contains more than one register or register range.

Operation

PUSH stores registers on the stack, with the lowest numbered register using the lowest memory address and the highest numbered register using the highest memory address.

POP loads registers from the stack, with the lowest numbered register using the lowest memory address and the highest numbered register using the highest memory address.

PUSH uses the value in the SP register minus four as the highest memory address; POP uses the value in the SP register as the lowest memory address, implementing a full-descending stack. On completion, PUSH updates the SP register to point to the location of the lowest store value; POP updates the SP register to point to the location above the highest location loaded.

If a POP instruction includes PC in its *reglist*, a branch to this location is performed when the POP instruction has completed. Bit[0] of the value read for the PC is used to update the APSR T-bit. This bit must be 1 to ensure correct operation.

Restrictions

In these instructions:

- *reglist* must use only R0-R7.
- The exception is LR for a PUSH and PC for a POP.

Condition flags

These instructions do not change the flags.

Examples

```
PUSH  {R0,R4-R7}    ; Push R0, R4, R5, R6 and R7 onto the stack
PUSH  {R2,LR}       ; Push R2 and the link-register onto the stack
POP   {R0,R6,PC}    ; Pop R0, R6 and PC from the stack, then branch to the new PC.
```

2.3.5 General Data Processing Instructions

The following table shows the data processing instructions:

Table 2.17 Data Processing Instructions

Mnemonic	Brief Description	See
ADCS	Add with Carry	ADC, ADD, RSB, SBC and SUB
ADD{S}	Add	ADC, ADD, RSB, SBC and SUB
ANDS	Logical AND	AND, ORR, EOR and BIC
ASRS	Arithmetic Shift Right	ASR, LSL, LSR and ROR
BICS	Bit Clear	AND, ORR, EOR and BIC
CMN	Compare Negative	CMP and CMN
CMP	Compare	CMP and CMN
EORS	Exclusive OR	AND, ORR, EOR and BIC
LSLS	Logical Shift Left	ASR, LSL, LSR and ROR
LSRS	Logical Shift Right	ASR, LSL, LSR and ROR
MOV{S}	Move	MOV and MVN
MULS	Multiply	MULS
MVNS	Move NOT	MOV and MVN
ORRS	Logical OR	AND, ORR, EOR and BIC
REV	Reverse byte order in a word	REV, REV16 and REVSH
REV16	Reverse byte order in each halfword	REV, REV16 and REVSH
REVSH	Reverse byte order in bottom halfword and sign extend	REV, REV16 and REVSH
RORS	Rotate Right	ASR, LSL, LSR and ROR
RSBS	Reverse Subtract	ADC, ADD, RSB, SBC and SUB
SBCS	Subtract with Carry	ADC, ADD, RSB, SBC and SUB
SUBS	Subtract	ADC, ADD, RSB, SBC and SUB

Mnemonic	Brief Description	See
SXTB	Sign extend a byte	SXT and UXT
SXTH	Sign extend a halfword	SXT and UXT
UXTB	Zero extend a byte	SXT and UXT
UXTH	Zero extend a halfword	SXT and UXT
TST	Test	TST

2.3.5.1 ADC, ADD, RSB, SBC and SUB

Add with carry, Add, Reverse Subtract, Subtract with carry, and Subtract.

Syntax

```

ADCS          {Rd,} Rn, Rm
ADD{S}        {Rd,} Rn, <Rm|#imm>
RSBS          {Rd,} Rn, Rm, #0
SBCS          {Rd,} Rn, Rm
SUB{S}        {Rd,} Rn, <Rm|#imm>
    
```

where:

- S* causes an ADD or SUB instruction to update flags
- Rd* specifies the result register
- Rn* specifies the first source register
- Rm* specifies the second source register
- imm* specifies a constant immediate value

When the optional *Rd* register specifier is omitted, it is assumed to take the same value as *Rn*; for example, ADDS R1, R2 is identical to ADDS R1, R1, R2.

Operation

The ADCS instruction adds the value in *Rn* to the value in *Rm*, adding a further one if the carry flag is set, places the result in the register specified by *Rd*, and updates the N, Z, C, and V flags.

The ADD instruction adds the value in *Rn* to the value in *Rm* or an immediate value specified by *imm* and places the result in the register specified by *Rd*.

The ADDS instruction performs the same operation as ADD and also updates the N, Z, C and V flags.

The RSBS instruction subtracts the value in *Rn* from zero, producing the arithmetic negative of the value, and places the result in the register specified by *Rd* and updates the N, Z, C and V flags.

The SBCS instruction subtracts the value of *Rm* from the value in *Rn*, deducts a further one if the carry flag is set. It places the result in the register specified by *Rd* and updates the N, Z, C and V flags.

The SUB instruction subtracts the value in *Rm* or the immediate specified by *imm*. It places the result in the register specified by *Rd*.

The SUBS instruction performs the same operation as SUB and also updates the N, Z, C and V flags.

Use ADC and SBC to synthesize multiword arithmetic, see example on next page.

See also section “ADR.”

Restrictions

The following table lists the legal combinations of register specifiers and immediate values that can be used with each instruction.

Table 2.18 ADC, ADD, RSB, SBC and SUB Operand Restrictions

Instruction	Rd	Rn	Rm	imm	Restrictions
ADCS	R0-R7	R0-R7	R0-R7	-	<i>Rd</i> and <i>Rn</i> must specify the same register.
ADD	R0-R15	R0-R15	R0-PC	-	<i>Rd</i> and <i>Rn</i> must specify the same register. <i>Rn</i> and <i>Rm</i> must not both specify PC.
	R0-R7	SP or PC	-	0-1020	Immediate value must be an integer multiple of four.
	SP	SP	-	0-508	Immediate value must be an integer multiple of four.
ADDS	R0-R7	R0-R7	-	0-7	-
	R0-R7	R0-R7	-	0-255	<i>Rd</i> and <i>Rn</i> must specify the same register.
	R0-R7	R0-R7	R0-R7	-	-
RSBS	R0-R7	R0-R7	-	-	-
SBCS	R0-R7	R0-R7	R0-R7	-	<i>Rd</i> and <i>Rn</i> must specify the same register.
SUB	SP	SP	-	0-508	Immediate value must be an integer multiple of four.
SUBS	R0-R7	R0-R7	-	0-7	-
	R0-R7	R0-R7	-	0-255	<i>Rd</i> and <i>Rn</i> must specify the same register.
	R0-R7	R0-R7	R0-R7	-	-

Examples

The following two instructions add one 64-bit integer contained in R0 and R1 to another 64-bit integer contained in R2 and R3 and place the result in R0 and R1:

```
ADDS  R0, R0, R2    ; add the least significant words
ADCS  R1, R1, R3    ; add the most significant words with carry
```

The following three instructions subtract one 96-bit integer contained in R1, R2, and R3 from another contained in R4, R5, and R6 and place the result in R4, R5, and R6.

```
SUBS  R4, R4, R1    ; subtract the least significant words
SBCS  R5, R5, R2    ; subtract the middle words with carry
SBCS  R6, R6, R3    ; subtract the most significant words with carry
```

Note: Multiword values do not have to use consecutive registers.

The following instruction shows the RSBS instruction used to perform a 1's complement of a single register.

```
RSBS  R7, R7, #0    ; subtract R7 from zero
```

2.3.5.2 AND, ORR, EOR and BIC

Logical AND, OR, Exclusive OR, and Bit Clear.

Syntax

```
ANDS  {Rd,} Rn, Rm
ORRS  {Rd,} Rn, Rm
EORS  {Rd,} Rn, Rm
BICS  {Rd,} Rn, Rm
```

where:

Rd is the destination register

Rn is the register holding the first operand and is the same as the destination register

Rm second register

Operation

The AND, EOR, and ORR instructions perform bitwise AND, exclusive OR, and inclusive OR operations on the values in *Rn* and *Rm*.

The BIC instruction performs an AND operation on the bits in *Rn* with the logical negation of the corresponding bits in the value of *Rm*.

The condition code flags are updated on the result of the operation, see condition flags section “Conditional Execution.”

Restrictions

In these instructions, *Rd*, *Rn* and *Rm* must only specify R0-R7.

Condition flags

These instructions

- update the N and Z flags according to the result
- do not affect the C or V flag

Examples

```
ANDS  R2, R2, R1
ORRS  R2, R2, R5
ANDS  R5, R5, R8
EORS  R7, R7, R6
BICS  R0, R0, R1
```

2.3.5.3 ASR, LSL, LSR and ROR

Arithmetic Shift Right, Logical Shift Left, Logical Shift Right, and Rotate Right.

Syntax

```
ASRS  {Rd,} Rm, Rs
ASRS  {Rd,} Rm, #imm
LSLS  {Rd,} Rm, Rs
LSLS  {Rd,} Rm, #imm
LSRS  {Rd,} Rm, Rs
LSRS  {Rd,} Rm, #imm
RORS  {Rd,} Rm, Rs
```

where:

Rd is the destination register. If *Rd* is omitted, it is assumed to take the same value as *Rm*.

Rm is the register holding the value to be shifted.

Rs is the register holding the shift length to apply to the value in *Rm*.

imm is the shift length. The range of shift length depends on the instruction:

- ASR shift length from 1 to 32
- LSL shift length from 0 to 31
- LSR shift length from 1 to 32.

Note: `MOVS Rd, Rm` is a pseudonym for `LSLS Rd, Rm, #0`.

Operation

ASR, LSL, LSR, and ROR perform an arithmetic-shift-left, logical-shift-left, logical-shift-right or a right-rotation of the bits in the register *Rm* by the number of places specified by the immediate *imm* or the value in the least-significant byte of the register specified by *Rs*.

For details on what result is generated by the different instructions, see section “Shift Operations.”

Restrictions

In these instructions, *Rd*, *Rm*, and *Rs* must only specify R0-R7. For non-immediate instructions, *Rd* and *Rm* must specify the same register.

Condition flags

These instructions update the N and Z flags according to the result.

The C flag is updated to the last bit shifted out, except when the shift length is 0; see section “Shift Operations.” The V flag is left unmodified.

Examples

```
ASRS  R7, R5, #9      ; Arithmetic shift right by 9 bits
LSLS  R1, R2, #3      ; Logical shift left by 3 bits with flag update
LSRS  R4, R5, #6      ; Logical shift right by 6 bits
RORS  R4, R4, R6      ; Rotate right by the value in the bottom byte of R6.
```

2.3.5.4 CMP and CMN

Compare and Compare Negative.

Syntax

```
CMN    Rn, Rm
CMP    Rn, #imm
CMP    Rn, Rm
```

where:

Rn is the register holding the first operand.

Rm is the register to compare with.

imm is the immediate value to compare with.

Operation

These instructions compare the value in a register with either the value in another register or an immediate value. They update the condition flags on the result, but do not write the result to a register.

The CMP instruction subtracts either the value in the register specified by *Rm*, or the immediate *imm* from the value in *Rn* and updates the flags. This is the same as a SUBS instruction, except that the result is discarded.

The CMN instruction adds the value of *Rm* to the value in *Rn* and updates the flags. This is the same as an ADDS instruction, except that the result is discarded.

Restrictions

For the:

- CMN instruction *Rn*, and *Rm* must only specify R0-R7.
- CMP instruction:
 - *Rn* and *Rm* can specify R0-R14
 - immediate must be in the range 0-255.

Condition flags

These instructions update the N, Z, C and V flags according to the result.

Examples

```
CMP    R2, R9
CMN    R0, R2
```

2.3.5.5 MOV and MVN

Move and Move NOT.

Syntax

```
MOV{S}      Rd, Rm
MOVS        Rd, #imm
MVNS        Rd, Rm
```

where:

S is an optional suffix. If *S* is specified, the condition code flags are updated on the result of the operation; see section “Conditional Execution.”

Rd is the destination register.

Rm is a register.

imm is any value in the range 0-255.

Operation

The MOV instruction copies the value of *Rm* into *Rd*.

The MOVS instruction performs the same operation as the MOV instruction, but also updates the N and Z flags.

The MVNS instruction takes the value of *Rm*, performs a bitwise logical negate operation on the value, and places the result into *Rd*.

Restrictions

In these instructions, *Rd* and *Rm* must only specify R0-R7.

When *Rd* is the PC in a MOV instruction,

- Bit[0] of the result is discarded.
- A branch occurs to the address created by forcing bit[0] of the result to 0. The T-bit remains unmodified.

Note: Though it is possible to use MOV as a branch instruction, ARM strongly recommends the use of a BX or BLX instruction to branch for software portability.

Condition flags

If *S* is specified, these instructions

- update the N and Z flags according to the result
- do not affect the C or V flags.

Example

```
MOVS    R0, #0x000B    ; Write value of 0x000B to R0, flags get updated
MOVS    R1, #0x0       ; Write value of zero to R1, flags are updated
MOV     R10, R12       ; Write value in R12 to R10, flags are not updated
MOVS    R3, #23        ; Write value of 23 to R3
MOV     R8, SP         ; Write value of stack pointer to R8
MVNS    R2, R0         ; Write inverse of R0 to the R2 and update flags
```

2.3.5.6 MULS

Multiply using 32-bit operands, and producing a 32-bit result.

Syntax

MULS *Rd, Rn, Rm*

where:

Rd is the destination register.

Rn, Rm are registers holding the values to be multiplied.

Operation

The MUL instruction multiplies the values in the registers specified by *Rn* and *Rm*, and places the least significant 32 bits of the result in *Rd*. The condition code flags are updated on the result of the operation; see section “Conditional Execution.”

The result of this instruction does not depend on whether the operands are signed or unsigned.

Restrictions

In this instruction,
Rd, Rn, and *Rm* must only specify R0-R7
Rd must be the same as *Rm*.

Condition flags

This instruction

- updates the N and Z flags according to the result
- does not affect the C or V flags.

Examples

MULS R0, R2, R0 ; Multiply with flag update, R0 = R0 x R2

2.3.5.7 REV, REV16 and REVSH

Reverse bytes.

Syntax

```
REV          Rd, Rn
REV16       Rd, Rn
REVSH       Rd, Rn
```

where:

Rd is the destination register.

Rn is the source register.

Operation

Use these instructions to change endianness of data:

```
REV          converts 32-bit big-endian data into little-endian data or 32-bit little-endian data into big-endian data.
REV16       converts two packed 16-bit big-endian data into little-endian data or two packed 16-bit little-endian data into big-endian data.
REVSH       converts 16-bit signed big-endian data into 32-bit signed little-endian data or 16-bit signed little-endian data into 32-bit signed big-endian data.
```

Restrictions

In these instructions, *Rd* and *Rn* must only specify R0-R7.

Condition flags

These instructions do not change the flags.

Examples

```
REV    R3, R7    ; Reverse byte order of value in R7 and write it to R3
REV16  R0, R0    ; Reverse byte order of each 16-bit halfword in R0
REVSH  R0, R5    ; Reverse signed halfword
```

2.3.5.8 SXT and UXT

Sign extend and Zero extend.

Syntax

```
SXTB  Rd, Rm
SXTH  Rd, Rm
UXTB  Rd, Rm
UXTH  Rd, Rm
```

where:

Rd is the destination register.

Rm is the register holding the value to be extended.

Operation

These instructions extract bits from the resulting value:

- SXTB extracts bits[7:0] and sign extends to 32 bits
- UXTB extracts bits[7:0] and zero extends to 32 bits
- SXTH extracts bits[15:0] and sign extends to 32 bits
- UXTH extracts bits[15:0] and zero extends to 32 bits.

Restrictions

In these instructions, *Rd* and *Rm* must only specify R0-R7.

Condition flags

These instructions do not affect the flags.

Examples

```
SXTH  R4, R6      ; Obtain the lower halfword of the value in R6 and
                  ; then sign extend to 32 bits and write the result to R4.

UXTB  R3, R1      ; Extract lowest byte of the value in R10 and
                  ; zero extend it and write the result to R3
```


2.3.5.9 TST

Test bits.

Syntax

TST *Rn*, *Rm*

where:

Rn is the register holding the first operand.

Rm the register to test against.

Operation

This instruction tests the value in a register against another register. It updates the condition flags based on the result, but does not write the result to a register.

The TST instruction performs a bitwise AND operation on the value in *Rn* and the value in *Rm*. This is the same as the ANDS instruction, except that it discards the result.

To test whether a bit of *Rn* is 0 or 1, use the TST instruction with a register that has that bit set to 1 and all other bits cleared to 0.

Restrictions

In these instructions, *Rn* and *Rm* must only specify R0-R7.

Condition flags

This instruction

- updates the N and Z flags according to the result
- does not affect the C or V flags.

Examples

```
TST    R0, R1    ; Perform bitwise AND of R0 value and R1 value
                ; condition code flags are updated but result is discarded
```

2.3.6 Branch and Control Instructions

The following table shows the branch and control instructions:

Table 2.19 Branch and Control Instructions

Mnemonic	Brief Description	See
B{cc}	Branch {conditionally}	B, BL, BX and BLX
BL	Branch with Link	B, BL, BX and BLX
BLX	Branch indirect with Link	B, BL, BX and BLX
BX	Branch indirect	B, BL, BX and BLX

2.3.6.1 B, BL, BX and BLX

Branch instructions.

Syntax

```
B{cond}      Label
BL           Label
BX          Rm
BLX         Rm
```

where:

cond is an optional condition code, see section “Conditional Execution.”

Label is a PC-relative expression. See section “PC-Relative Expressions.”

Rm is a register providing the address to branch to.

Operation

All these instructions cause a branch to the address indicated by *label* or contained in the register specified by *Rm*. In addition,

- The BL and BLX instructions write the address of the next instruction to LR, the link register R14.
- The BX and BLX instructions result in a HardFault exception if bit[0] of *Rm* is 0.

BL and BLX instructions also set bit[0] of the LR to 1. This ensures that the value is suitable for use by a subsequent POP {PC} or BX instruction to perform a successful return branch.

The following table shows the ranges for the various branch instructions.

Table 2.20 Branch Ranges

Instruction	Branch Range
B <i>Label</i>	-2 KB to +2 KB
B <i>cond</i> <i>Label</i>	-256 bytes to +254 bytes
BL <i>Label</i>	-16 MB to +16 MB
BX <i>Rm</i>	Any value in register
BLX <i>Rm</i>	Any value in register

Restrictions

In these instructions:

- Do not use SP or PC in the BX or BLX instruction.
- For BX and BLX, bit[0] of *Rm* must be 1 for correct execution. Bit[0] is used to update the EPSR T-bit and is discarded from the target address.

Note: *Bcond* is the only conditional instruction on the Cortex™-M0 processor.

Condition flags

These instructions do not change the flags.

Examples

```
B      loopA      ; Branch to loopA
BL     funC      ; Branch with link (Call) to function funC, return address stored in LR
BX     LR        ; Return from function call
BLX   R0         ; Branch with link and exchange (Call) to an address stored in R0
BEQ   labelD     ; Conditionally branch to labelD if last flag setting
        ; instruction set the Z flag, else do not branch.
```

2.3.7 Miscellaneous Instructions

The following table shows the remaining Cortex™-M0 instructions:

Table 2.21 Miscellaneous Instructions

Mnemonic	Brief description	See
BKPT	Breakpoint	BKPT
CPSID	Change Processor State, Disable Interrupts	CPS
CPSIE	Change Processor State, Enable Interrupts	CPS
DMB	Data Memory Barrier	DMB
DSB	Data Synchronization Barrier	DSB
ISB	Instruction Synchronization Barrier	ISB
MRS	Move from special register to register	MRS
MSR	Move from register to special register	MSR
NOP	No Operation	NOP
SVC	Supervisor Call	SVC
WFI	Wait For Interrupt	WFI

2.3.7.1 BKPT

Breakpoint.

Syntax

BKPT #*imm*

where:

imm is an integer in the range 0-255.

Operation

The BKPT instruction causes the processor to enter Debug state. Debug tools can use this to investigate system state when the instruction at a particular address is reached.

imm is ignored by the processor. If required, a debugger can use it to store additional information about the breakpoint.

The processor might also produce a HardFault or go in to lockup if a debugger is not attached when a BKPT instruction is executed. See section “Lockup” for more information.

Restrictions

There are no restrictions.

Condition flags

This instruction does not change the flags.

Examples

BKPT #0 ; Breakpoint with immediate value set to 0x0.

2.3.7.2 CPS

Change Processor State.

Syntax

```
CPSID i  
CPSIE i
```

Operation

CPS changes the PRIMASK special register values. CPSID causes interrupts to be disabled by setting PRIMASK. CPSIE cause interrupts to be enabled by clearing PRIMASK. See section “Exception Mask Register (PRIMASK)” for more information about these registers.

Restrictions

There are no restrictions.

Condition flags

This instruction does not change the condition flags.

Examples

```
CPSID i      ; Disable all interrupts except NMI (set PRIMASK)  
CPSIE i      ; Enable interrupts (clear PRIMASK)
```

2.3.7.3 DMB

Data Memory Barrier.

Syntax

DMB

Operation

DMB acts as a data memory barrier. It ensures that all explicit memory accesses that appear in program order before the DMB instruction are observed before any explicit memory accesses that appear in program order after the DMB instruction. DMB does not affect the ordering of instructions that do not access memory.

Restrictions

There are no restrictions.

Condition flags

This instruction does not change the flags.

Examples

```
DMB ; Data Memory Barrier
```

2.3.7.4 DSB

Data Synchronization Barrier.

Syntax

DSB

Operation

DSB acts as a special data synchronization memory barrier. Instructions that come after the DSB, in program order, do not execute until the DSB instruction completes. The DSB instruction completes when all explicit memory accesses before it complete.

Restrictions

There are no restrictions.

Condition flags

This instruction does not change the flags.

Examples

```
DSB ; Data Synchronization Barrier
```


2.3.7.5 ISB

Instruction Synchronization Barrier.

Syntax

ISB

Operation

ISB acts as an instruction synchronization barrier. It flushes the pipeline of the processor, so that all instructions following the ISB are fetched from cache or memory again, after the ISB instruction has been completed.

Restrictions

There are no restrictions.

Condition flags

This instruction does not change the flags.

Examples

ISB ; Instruction Synchronization Barrier

2.3.7.6 MRS

Move the contents of a special register to a general-purpose register.

Syntax

MRS *Rd*, *spec_reg*

where:

Rd is the general-purpose destination register.

spec_reg is one of the special-purpose registers: APSR, IPSR, EPSR, IEPSR, IAPSR, EAPSR, PSR, MSP, PSP, PRIMASK or CONTROL.

Operation

MRS stores the contents of a special-purpose register to a general-purpose register. The MRS instruction can be combined with the MSR instruction to produce read-modify-write sequences, which are suitable for modifying a specific flag in the PSR.

See section "MSR."

Restrictions

In this instruction, *Rd* must not be SP or PC.

Condition flags

This instruction does not change the flags.

Examples

```
MRS    R0, PRIMASK    ; Read PRIMASK value and write it to R0
```

2.3.7.7 MSR

Move the contents of a general-purpose register into the specified special register.

Syntax

MSR *spec_reg*, *Rn*

where:

Rn is the general-purpose source register.

spec_reg is the special-purpose destination register: APSR, IPSR, EPSR, IEPSR, IAPSR, EAPSR, PSR, MSP, PSP, PRIMASK or CONTROL.

Operation

MSR updates one of the special registers with the value from the register specified by *Rn*. See section “MRS.”

Restrictions

In this instruction, *Rn* must not be SP and must not be PC.

Condition flags

This instruction updates the flags explicitly based on the value in *Rn*.

Examples

MSR CONTROL, R1 ; Read R1 value and write it to the CONTROL register

2.3.7.8 NOP

No Operation.

Syntax

NOP

Operation

NOP performs no operation and is not guaranteed to be time consuming. The processor might remove it from the pipeline before it reaches the execution stage.

Use NOP for padding, for example to place the subsequent instructions on a 64-bit boundary.

Restrictions

There are no restrictions.

Condition flags

This instruction does not change the flags.

Examples

```
NOP ; No operation
```

2.3.7.9 SVC

Supervisor Call.

Syntax

SVC #*imm*

where:

imm is an integer in the range 0-255.

Operation

The SVC instruction causes the SVC exception.

imm is ignored by the processor. If required, it can be retrieved by the exception handler to determine what service is being requested.

Restrictions

There are no restrictions.

Condition flags

This instruction does not change the flags.

Examples

```
SVC    #0x32    ; Supervisor Call (SVC handler can extract the immediate value  
                ; by locating it via the stacked PC)
```

2.3.7.10 WFI

Wait for Interrupt.

Syntax

WFI

Operation

WFI suspends execution until one of the following events occurs:

- an exception
- an interrupt becomes pending which would preempt if PRIMASK was clear
- a Debug Entry request, regardless of whether debug is enabled.

Note: WFI is intended for power saving only. When writing software assume that WFI might behave as a NOP operation.

Restrictions

There are no restrictions.

Condition flags

This instruction does not change the flags.

Examples

```
WFI ; Wait for interrupt
```

2.4 Cortex™-M0 Peripherals

2.4.1 About the Cortex™-M0 Peripherals

The address map of the *Private Peripheral Bus* (PPB) is given in Table 2.22.

Table 2.22 Core Peripheral Register Regions

Address	Core Peripheral	Description
0xE000E008-0xE000E00F	System Control Block	Table 2.31
0xE000E010-0xE000E01F	System Timer	
0xE000E100-0xE000E4EF	Nested Vectored Interrupt Controller	Table 2.23
0xE000ED00-0xE000ED3F	System Control Block	Table 2.31
0xE000EF00-0xE000EF03	Nested Vectored Interrupt Controller	Table 2.23

In register descriptions, the register *type* is described as follows:

- RW** Read and write.
- RO** Read-only.
- WO** Write-only.

2.4.2 Nested Vectored Interrupt Controller (NVIC)

This section describes the *Nested Vectored Interrupt Controller* (NVIC) and the registers it uses. The NVIC supports:

- 9 interrupts.
- A programmable priority level of 0-192 in steps of 64 for each interrupt. A higher level corresponds to a lower priority, so level 0 is the highest interrupt priority.
- Level and pulse detection of interrupt signals.
- Interrupt tail-chaining.
- An external *Non-maskable interrupt* (NMI).
-

The processor automatically stacks its state on exception entry and unstacks this state on exception exit, with no instruction overhead. This provides low latency exception handling. The hardware implementation of the NVIC registers is given in Table 2.23.

Table 2.23 NVIC Register Summary

Address	Name	Type	Reset Value	Description
0xE000E100	ISER	RW	0x00000000	Table 2.25
0xE000E180	ICER	RW	0x00000000	Table 2.26
0xE000E200	ISPR	RW	0x00000000	Table 2.27
0xE000E280	ICPR	RW	0x00000000	Table 2.28
0xE000E400-0xE000E408	IPR0-2	RW	0x00000000	Table 2.29

2.4.2.1 Accessing the Cortex™-M0 NVIC registers using CMSIS

CMSIS functions enable software portability between different Cortex™-M profile processors.

To access the NVIC registers when using CMSIS, use the following functions.

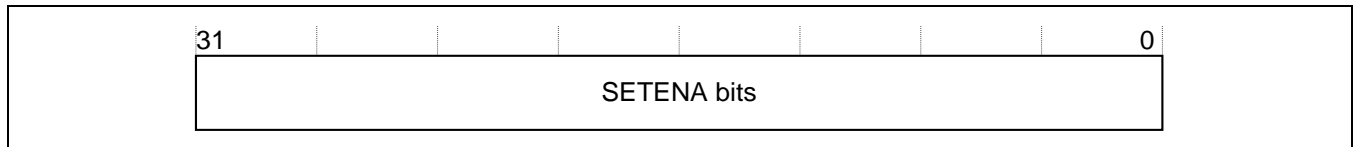
Table 2.24 CMSIS Access NVIC Functions

CMSIS function	Description
void NVIC_EnableIRQ(IRQn_Type IRQn)	Enables an interrupt or exception.
void NVIC_DisableIRQ(IRQn_Type IRQn)	Disables an interrupt or exception.
void NVIC_SetPendingIRQ(IRQn_Type IRQn)	Sets the pending status of interrupt or exception to 1.
void NVIC_ClearPendingIRQ(IRQn_Type IRQn)	Clears the pending status of interrupt or exception to 0.
uint32_t NVIC_GetPendingIRQ(IRQn_Type IRQn)	Reads the pending status of interrupt or exception. This function returns non-zero value if the pending status is set to 1.
void NVIC_SetPriority(IRQn_Type IRQn, uint32_t priority)	Sets the priority of an interrupt or exception with configurable priority level to 1.
uint32_t NVIC_GetPriority(IRQn_Type IRQn)	Reads the priority of an interrupt or exception with configurable priority level. This function returns the current priority level.

2.4.2.2 Interrupt Set-Enable Register (ISER)

The ISER enables interrupts and shows which interrupts are enabled. See the register summary in Table 2.23 for the register attributes.

Figure 2.15 ISER



The bit assignments are given in Table 2.25.

Table 2.25 ISER Bit Assignments

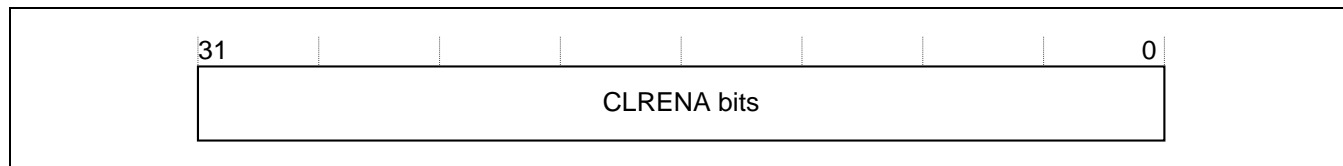
Bits	Name	Function
[31:0]	SETENA	Interrupt set-enable bits. Write: 0 = no effect 1 = enable interrupt. Read: 0 = interrupt disabled 1 = interrupt enabled.

If a pending interrupt is enabled, the NVIC activates the interrupt based on its priority. If an interrupt is not enabled, asserting its interrupt signal changes the interrupt state to pending, but the NVIC never activates the interrupt, regardless of its priority.

2.4.2.3 Interrupt Clear-Enable Register (ICER)

The ICER disables interrupts and shows which interrupts are enabled. See the register summary in Table 2.23 for the register attributes.

Figure 2.16 CER



The bit assignments are given in Table 2.26.

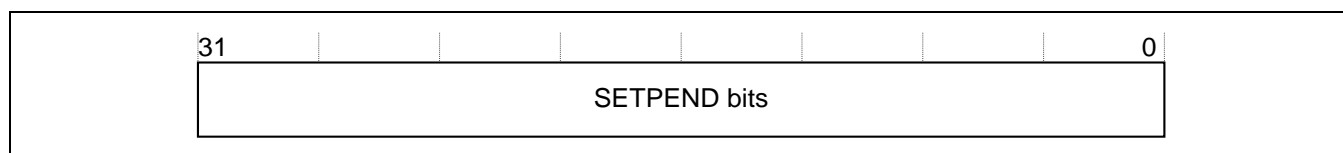
Table 2.26 ICER Bit Assignments

Bits	Name	Function
[31:0]	CLRENA	Interrupt clear-enable bits. Write: 0 = no effect 1 = disable interrupt. Read: 0 = interrupt disabled 1 = interrupt enabled.

2.4.2.4 Interrupt Set-Pending Register (ISPR)

The ISPR forces interrupts into the pending state and shows which interrupts are pending. See the register summary in Table 2.23 for the register attributes.

Figure 2.17 ISPR



The bit assignments are given in Table 2.27.

Table 2.27 ISPR Bit Assignments

Bits	Name	Function
[31:0]	SETPEND	Interrupt set-pending bits. Write: 0 = no effect 1 = changes interrupt state to pending. Read: 0 = interrupt is not pending 1 = interrupt is pending.

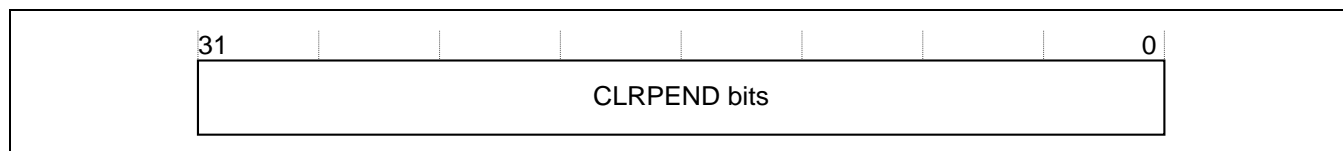
Note: Writing 1 to the ISPR bit corresponding to

- an interrupt that is pending has no effect
- a disabled interrupt sets the state of that interrupt to pending.

2.4.2.5 Interrupt Clear-Pending Register (ICPR)

The ICPR removes the pending state from interrupts and shows which interrupts are pending. See the register summary in Table 2.23 for the register attributes.

Figure 2.18 ICPR



The bit assignments are given in Table 2.28.

Table 2.28 CPR Bit Assignments

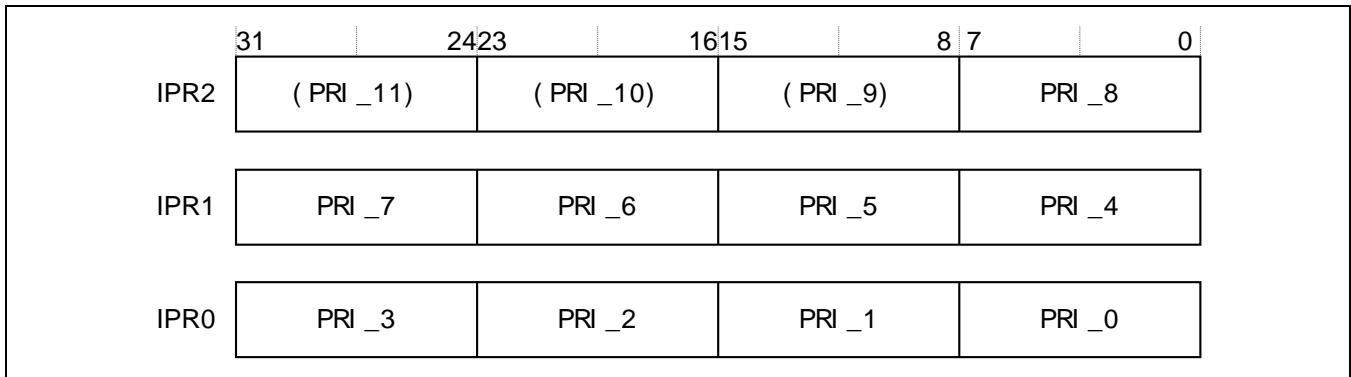
Bits	Name	Function
[31:0]	CLRPEND	Interrupt clear-pending bits. Write: 0 = no effect 1 = removes pending state an interrupt. Read: 0 = interrupt is not pending 1 = interrupt is pending.

Note: Writing 1 to an ICPR bit does not affect the active state of the corresponding interrupt.

2.4.2.6 Interrupt Priority Registers (IPR0 – IPR2)

The IPR0-IPR2 registers provide an 8-bit priority field for each interrupt. These registers are only word-accessible. See the register summary in Table 2.23 for their attributes.

Figure 2.19 IPR0-2



Each register holds four priority fields as shown in Table 2.29.

Table 2.29 IPR Bit Assignments

Bits	Name	Function
[31:24]	Priority, byte offset 3	Each priority field holds a priority value, 0-192. The lower the value, the greater the priority of the corresponding interrupt. The processor implements only bits[7:6] of each field; bits [5:0] read as zero and ignore writes. This means writing 255 to a priority register saves value 192 to the register.
[23:16]	Priority, byte offset 2	
[15:8]	Priority, byte offset 1	
[7:0]	Priority, byte offset 0	

See “Accessing the Cortex™-M0 NVIC registers using CMSIS” for more information about the access to the interrupt priority array, which provides the software view of the interrupt priorities.

Find the IPR number and byte offset for interrupt *M* as follows:

- the corresponding IPR number, *N*, is given by $N = M \text{ DIV } 4$
- the byte offset of the required Priority field in this register is $M \text{ MOD } 4$, where
 - byte offset 0 refers to register bits[7:0]
 - byte offset 1 refers to register bits[15:8]
 - byte offset 2 refers to register bits[23:16]
 - byte offset 3 refers to register bits[31:24].

2.4.2.7 Level-Sensitive and Pulse Interrupts

The processor supports both level-sensitive and pulse interrupts. Pulse interrupts are also described as edge-triggered interrupts.

A level-sensitive interrupt is held asserted until the peripheral deasserts the interrupt signal. Typically this happens because the ISR accesses the peripheral, causing it to clear the interrupt request. A pulse interrupt is an interrupt signal sampled synchronously on the rising edge of the processor clock. To ensure the NVIC detects the interrupt, the peripheral must assert the interrupt signal for at least one clock cycle, during which the NVIC detects the pulse and latches the interrupt.

When the processor enters the ISR, it automatically removes the pending state from the interrupt. For a level-sensitive interrupt, if the signal is not deasserted before the processor returns from the ISR, the interrupt becomes pending again, and the processor must execute its ISR again. This means that the peripheral can hold the interrupt signal asserted until it no longer needs servicing.

See corresponding data sheet for details of which interrupts are level-sensitive and which are pulsed.

Hardware and Software Control of Interrupts

The Cortex™-M0 latches all interrupts. A peripheral interrupt becomes pending for one of the following reasons:

- the NVIC detects that the interrupt signal is active and the corresponding interrupt is not active
- the NVIC detects a rising edge on the interrupt signal
- software writes to the corresponding interrupt set-pending register bit; see Table 2.27

A pending interrupt remains pending until one of the following:

- The processor enters the ISR for the interrupt. This changes the state of the interrupt from pending to active. Then
 - For a level-sensitive interrupt, when the processor returns from the ISR, the NVIC samples the interrupt signal. If the signal is asserted, the state of the interrupt changes to pending, which might cause the processor to immediately re-enter the ISR. Otherwise, the state of the interrupt changes to inactive.
 - For a pulse interrupt, the NVIC continues to monitor the interrupt signal, and if this is pulsed, the state of the interrupt changes to pending and active. In this case, when the processor returns from the ISR, the state of the interrupt changes to pending, which might cause the processor to immediately re-enter the ISR.
If the interrupt signal is not pulsed while the processor is in the ISR, when the processor returns from the ISR, the state of the interrupt changes to inactive.
- Software writes to the corresponding interrupt clear-pending register bit.
For a level-sensitive interrupt, if the interrupt signal is still asserted, the state of the interrupt does not change. Otherwise, the state of the interrupt changes to inactive.
For a pulse interrupt, state of the interrupt changes to
 - inactive, if the state was pending
 - active, if the state was active and pending

2.4.2.8 NVIC Usage Hints and Tips

Ensure software uses correctly aligned register accesses. The processor does not support unaligned accesses to NVIC registers.

An interrupt can enter the pending state even if it is disabled. Disabling an interrupt only prevents the processor from taking that interrupt.

NVIC Programming Hints

Software uses the `CPSIE i` and `CPSID i` instructions to enable and disable interrupts. The CMSIS provides the following intrinsic functions for these instructions:

```
void __disable_irq(void)    // Disable Interrupts
void __enable_irq(void)    // Enable Interrupts
```

In addition, the CMSIS provides a number of functions for NVIC control, including the functions shown in Table 2.30.

Table 2.30 Properties of the Different Exception Types

CMSIS Interrupt Control Function	Description
<code>void NVIC_EnableIRQ(IRQn_t IRQn)</code>	Enable IRQn
<code>void NVIC_DisableIRQ(IRQn_t IRQn)</code>	Disable IRQn
<code>uint32_t NVIC_GetPendingIRQ (IRQn_t IRQn)</code>	Return true (1) if IRQn is pending
<code>void NVIC_SetPendingIRQ (IRQn_t IRQn)</code>	Set IRQn pending
<code>void NVIC_ClearPendingIRQ (IRQn_t IRQn)</code>	Clear IRQn pending status
<code>void NVIC_SetPriority (IRQn_t IRQn, uint32_t priority)</code>	Set priority for IRQn
<code>uint32_t NVIC_GetPriority (IRQn_t IRQn)</code>	Read priority of IRQn
<code>void NVIC_SystemReset (void)</code>	Reset the system

The input parameter `IRQn` is the IRQ number; see Table 2.10 for more information. For more information about these functions, see the CMSIS documentation.

2.4.3 System Control Block (SCB)

The *System Control Block* (SCB) provides system implementation information and system control. This includes configuration, control, and reporting of the system exceptions. The SCB registers are given in Table 2.31.

Table 2.31 Summary of the SCB Registers

Address	Name	Type	Reset value	Description
0xE000ED00	CPUID	RO	0x410CC200	Table 2.32
0xE000ED04	ICSR	RW	0x00000000	Table 2.33
0xE000ED0C	AIRCR	RW	0xFA050000	Table 2.34
0xE000ED10	SCR	RW	0x00000000	Table 2.35
0xE000ED14	CCR	RO	0x00000204	Table 2.36
0xE000ED1C	SHPR2	RW	0x00000000	Table 2.38
0xE000ED20	SHPR3	RW	0x00000000	Table 2.39

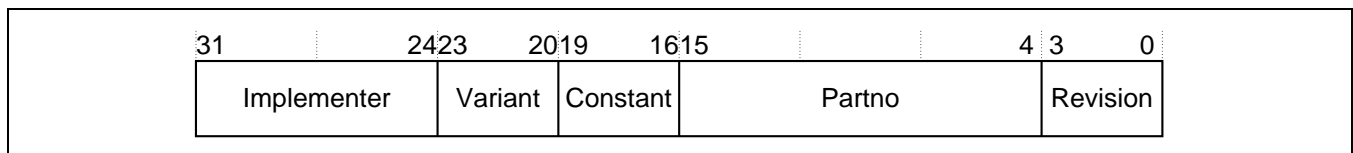
2.4.3.1 The CMSIS Mapping of the Cortex™-M0 SCB Registers

To improve software efficiency, the CMSIS simplifies the SCB register presentation. In the CMSIS, the array SHP[1] corresponds to the registers SHPR2-SHPR3.

2.4.3.2 CPUID Register

The CPUID register contains the processor part number, version, and implementation information. See the register summary in Table 2.31 for its attributes.

Figure 2.20 CPUID register



The bit assignments are given in Table 2.32.

Table 2.32 CPUID Register Bit Assignments

Bits	Name	Function
[31:24]	Implementer	Implementer code: 0x41 = ARM
[23:20]	Variant	Variant number, the r value in the <i>rnpn</i> product revision identifier: 0x0 = Revision 0
[19:16]	Constant	Constant that defines the architecture of the processor; reads as 0xC = ARMv6-M architecture
[15:4]	Partno	Part number of the processor: 0xC20 = Cortex™-M0
[3:0]	Revision	Revision number, the p value in the <i>rnpn</i> product revision identifier: 0x0 = Patch 0

2.4.3.3 Interrupt Control and State Register (ICSR)

The ICSR provides:

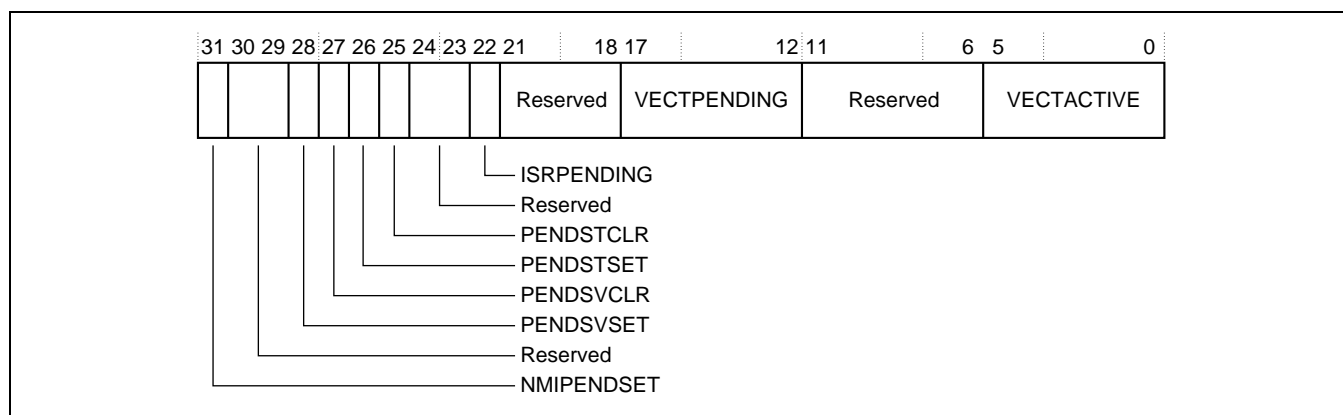
- a set-pending bit for the *Non-Maskable Interrupt* (NMI) exception
- set-pending and clear-pending bits for the PendSV and SysTick exceptions

The ICSR indicates:

- the exception number of the exception being processed
- whether there are preempted active exceptions
- the exception number of the highest priority pending exception
- whether any interrupts are pending.

See the register summary in Table 2.31 for the ICSR attributes.

Figure 2.21 ICSR



The bit assignments are given in Table 2.33.

Note: When the ICSR is written to, the effect is Unpredictable if there is a

- write 1 to the PENDSVSET bit and write 1 to the PENDSVCLR bit
- write 1 to the PENDSTSET bit and write 1 to the PENDSTCLR bit.

Table 2.33 ICSR Bit Assignments

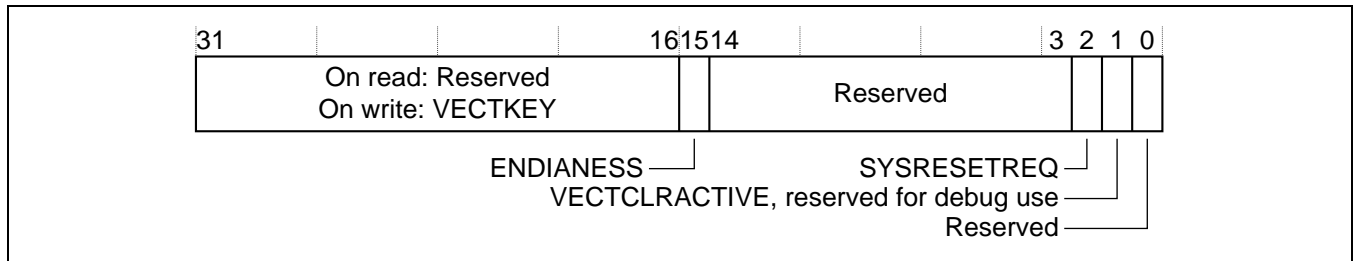
Bits	Name	Type	Function
[31]	NMIPENDSET	RW	<p>NMI set-pending bit.</p> <p>Write:</p> <ul style="list-style-type: none"> 0 = no effect 1 = changes NMI exception state to pending. <p>Read:</p> <ul style="list-style-type: none"> 0 = NMI exception is not pending 1 = NMI exception is pending. <p>Because NMI is the highest-priority exception, normally the processor enters the NMI exception handler as soon as it detects a write of 1 to this bit. Entering the handler then clears this bit to 0. This means a read of this bit by the NMI exception handler returns 1 only if the NMI signal is reasserted while the processor is executing that handler.</p>
[30:29]	-	-	Reserved.
[28]	PENDSVSET	RW	<p>PendSV set-pending bit.</p> <p>Write:</p> <ul style="list-style-type: none"> 0 = no effect 1 = changes PendSV exception state to pending. <p>Read:</p> <ul style="list-style-type: none"> 0 = PendSV exception is not pending 1 = PendSV exception is pending. <p>Writing 1 to this bit is the only way to set the PendSV exception state to pending.</p>
[27]	PENDSVCLR	WO	<p>PendSV clear-pending bit.</p> <p>Write:</p> <ul style="list-style-type: none"> 0 = no effect 1 = removes the pending state from the PendSV exception.
[26]	PENDSTSET	RW	<p>SysTick exception set-pending bit.</p> <p>Write:</p> <ul style="list-style-type: none"> 0 = no effect 1 = changes SysTick exception state to pending. <p>Read:</p> <ul style="list-style-type: none"> 0 = SysTick exception is not pending 1 = SysTick exception is pending.

Bits	Name	Type	Function
[25]	PENDSTCLR	WO	SysTick exception clear-pending bit. Write: 0 = no effect 1 = removes the pending state from the SysTick exception. This bit is WO. On a register read its value is Unknown.
[24:23]	-	-	Reserved.
[22]	ISRPENDING	RO	Interrupt pending flag, excluding NMI and Faults: 0 = interrupt not pending 1 = interrupt pending.
[21:18]	-	-	Reserved.
[17:12]	VECTPENDING	RO	Indicates the exception number of the highest priority pending enabled exception: 0 = no pending exceptions Nonzero = the exception number of the highest priority pending enabled exception.
[11:6]	-	-	Reserved.
[5:0]	VECTACTIVE	RO	Contains the active exception number: 0 = Thread Mode Nonzero = The exception number of the currently active exception. Note: Subtract 16 from this value to obtain the CMSIS IRQ number that identifies the corresponding bit in the Interrupt Clear-Enable, Set-Enable, Clear-Pending, Set-pending, and Priority Register, see Table 2.5

2.4.3.4 Application Interrupt and Reset Control Register (AIRCR)

The AIRCR provides endian status for data accesses and reset control of the system. See the register summary in Table 2.31 and Table 2.34 for its attributes.

Figure 2.22 AIRCR



Note: To write to this register, 0x05FA must be written to the VECTKEY field, otherwise the processor ignores the write.

The bit assignments are given in Table 2.34.

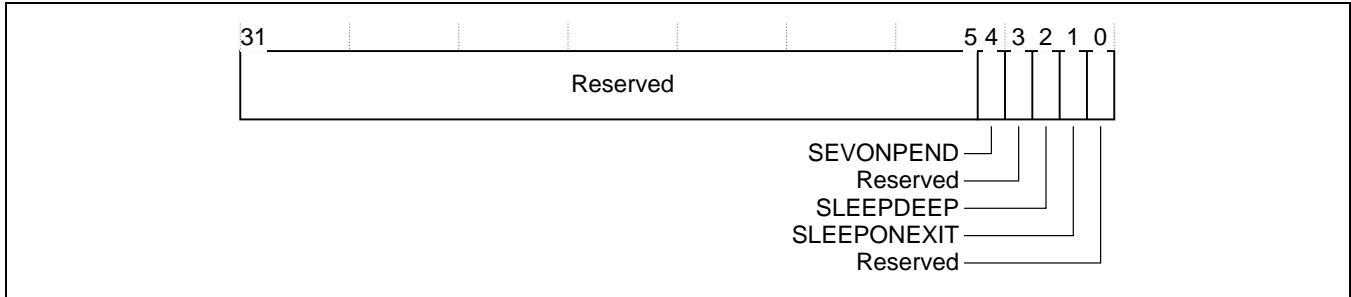
Table 2.34 AIRCR Bit Assignments

Bits	Name	Type	Function
[31:16]	Read: Reserved Write: VECTKEY	RW	Register key: Reads as Unknown On writes, write 0x05FA to VECTKEY, otherwise the write is ignored.
[15]	ENDIANESS	RO	Data endianness implemented: 0 = Little-endian
[14:3]	-	-	Reserved
[2]	SYSRESETREQ	WO	System reset request: 0 = no effect 1 = requests a system level reset. This bit reads as 0.
[1]	VECTCLRACTIVE	WO	Reserved for debug use. This bit reads as 0. When writing to the register, the user must write 0 to this bit; otherwise behavior is Unpredictable.
[0]	-	-	Reserved.

2.4.3.5 System Control Register (SCR)

The SCR controls features of entry to and exit from low power state. See the register summary in Table 2.31 for its attributes.

Figure 2.23 SCR



The bit assignments are given in Table 2.35.

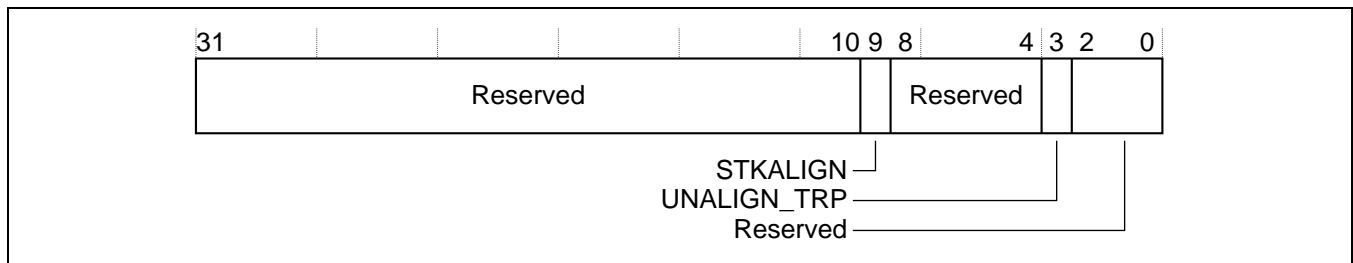
Table 2.35 SCR Bit Assignments

Bits	Name	Function
[31:5]	-	Reserved.
[4]	SEVONPEND	Send Event on Pending bit: 0 = only enabled interrupts or events can wakeup the processor, disabled interrupts are excluded 1 = enabled events and all interrupts, including disabled interrupts, can wakeup the processor. When an event or interrupt enters pending state, the event signal wakes up the processor from WFE. If the processor is not waiting for an event, the event is registered and affects the next WFE. The processor also wakes up on execution of an SEV instruction or an external event.
[3]	-	Reserved.
[2]	SLEEPDEEP	Controls whether the processor uses sleep or deep sleep as its low power mode: 0 = sleep 1 = deep sleep.
[1]	SLEEPONEXIT	Indicates sleep-on-exit when returning from Handler Mode to Thread Mode: 0 = do not sleep when returning to Thread Mode. 1 = enter sleep, or deep sleep, on return from an ISR to Thread Mode. Setting this bit to 1 enables an interrupt driven application to avoid returning to an empty main application.
[0]	-	Reserved.

2.4.3.6 Configuration and Control Register (CCR)

The CCR is a read-only register and indicates some aspects of the behavior of the Cortex™-M0 processor. See the register summary in Table 2.31 for the CCR attributes.

Figure 2.24 CCR



The bit assignments are given in Table 2.36.

Table 2.36 CCR Bit Assignments

Bits	Name	Function
[31:10]	-	Reserved.
[9]	STKALIGN	Always reads as one, indicates 8-byte stack alignment on exception entry. On exception entry, the processor uses bit[9] of the stacked PSR to indicate the stack alignment. On return from the exception, it uses this stacked bit to restore the correct stack alignment.
[8:4]	-	Reserved.
[3]	UNALIGN_TRP	Always reads as one, indicates that all unaligned accesses generate a HardFault.
[2:0]	-	Reserved.

2.4.3.7 System Handler Priority Registers (SHPR2-3)

The SHPR2-SHPR3 registers set the priority level, 0 to 192, of the exception handlers that have configurable priority. SHPR2-SHPR3 are word accessible. See the register summary in for their attributes.

To access to the system exception priority level using CMSIS, use the following CMSIS functions:

- uint32_t NVIC_GetPriority(IRQn_Type IRQn)
- void NVIC_SetPriority(IRQn_Type IRQn, uint32_t priority)

The input parameter `IRQn` is the IRQ number; see Table 2.10 for more information.

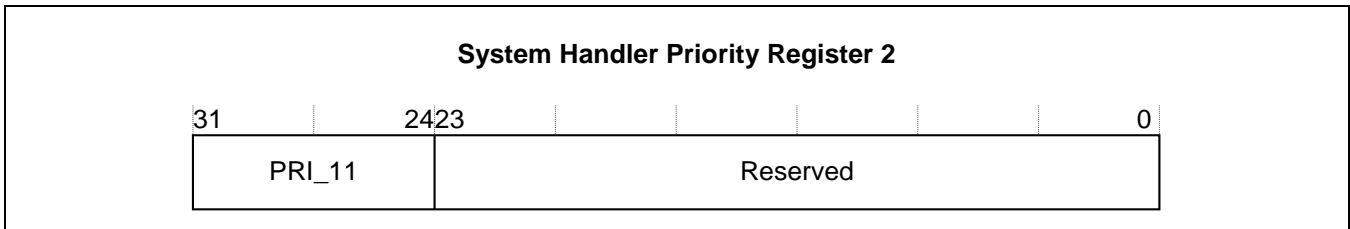
The system fault handlers and the priority field and register for each handler are given in Table 2.37.

Table 2.37 System Fault Handler Priority Fields

Handler	Field	Register Description
SVCall	PRI_11	See SHPR2 below
PendSV	PRI_14	See SHPR3 below
SysTick	PRI_15	

Each PRI_N field is 8 bits wide, but the processor implements only bits[7:6] of each field, and bits[5:0] read as zero and ignore writes.

Figure 2.25 SHPR2

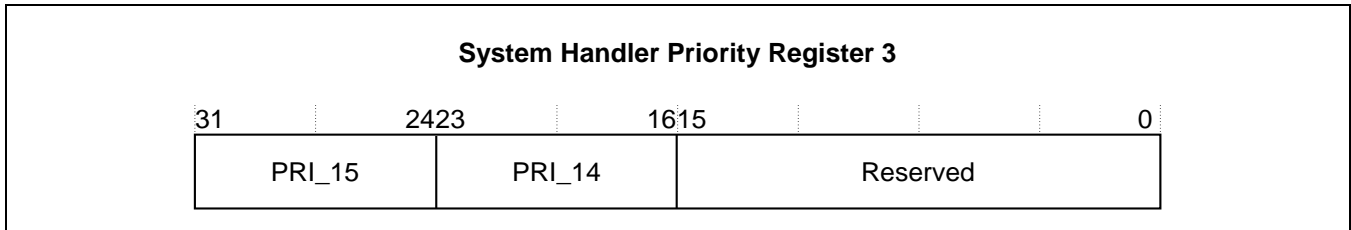


The bit assignments are given in Table 2.38.

Table 2.38 SHPR2 Bit Assignments

Bits	Name	Function
[31:24]	PRI_11	Priority of system handler 11, SVCall
[23:0]	-	Reserved

Figure 2.26 SHPR3



The bit assignments are given in Table 2.39.

Table 2.39 SHPR3 Bit Assignments

Bits	Name	Function
[31:24]	PRI_15	Priority of system handler 15, SysTick exception
[23:16]	PRI_14	Priority of system handler 14, PendSV
[15:0]	-	Reserved

2.4.3.8 SCB Usage Hints and Tips

Ensure software uses aligned 32-bit word size transactions to access all the SCB registers.

2.4.4 System Timer (SysTick)

When enabled, the timer counts down from the reload value to zero, reloads (wraps to) the value in the SYST_RVR on the next clock cycle, then decrements on subsequent clock cycles. Writing a value of zero to the SYST_RVR disables the counter on the next wrap. When the counter transitions to zero, the COUNTFLAG status bit is set to 1. Reading SYST_CSR clears the COUNTFLAG bit to 0.

Writing to the SYST_CVR clears the register and the COUNTFLAG status bit to 0. The write does not trigger the SysTick exception logic. Reading the register returns its value at the time it is accessed.

Note: When the processor is halted for debugging the counter does not decrement.

The system timer registers are given in Table 2.40.

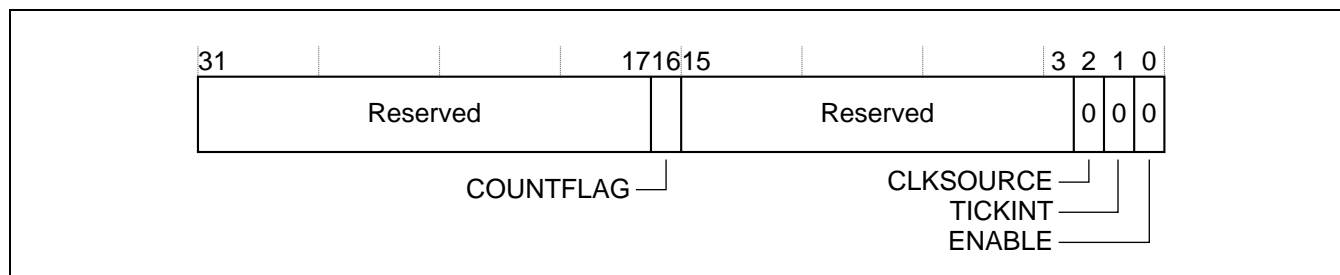
Table 2.40 System Timer Registers Summary

Address	Name	Type	Reset Value	Description
0xE000E010	SYST_CSR	RW	0x00000000	Table 2.41
0xE000E014	SYST_RVR	RW	Unknown	Table 2.42
0xE000E018	SYST_CVR	RW	Unknown	Table 2.43
0xE000E01C	SYST_CALIB	RO	0x80030D3F	Table 2.44

2.4.4.1 SysTick Control and Status Register (SYST_CSR)

The SYST_CSR enables the SysTick features. See the register summary in Table 2.40 for its attributes.

Figure 2.27 SYST_CSR



The bit assignments are given in Table 2.41.

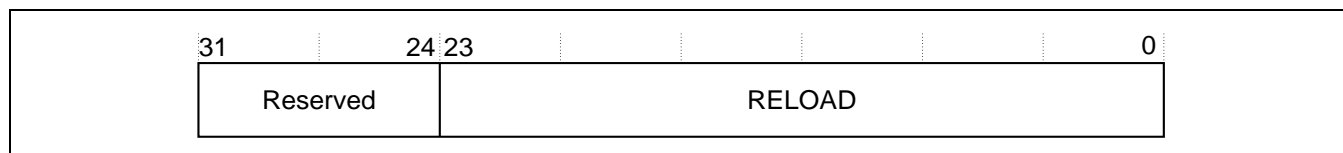
Table 2.41 SYST_CSR Bit Assignments

Bits	Name	Function
[31:17]	-	Reserved.
[16]	COUNTFLAG	Returns 1 if timer counted to 0 since the last read of this register.
[15:3]	-	Reserved.
[2]	CLKSOURCE	Selects the SysTick timer clock source: 0 = external reference clock 1 = processor clock.
[1]	TICKINT	Enables SysTick exception request: 0 = counting down to zero does not assert the SysTick exception request 1 = counting down to zero to asserts the SysTick exception request.
[0]	ENABLE	Enables the counter: 0 = counter disabled 1 = counter enabled.

2.4.4.2 SysTick Reload Value Register (SYST_RVR)

The SYST_RVR specifies the start value to load into the SYST_CVR. See the register summary in Table 2.40 for its attributes.

Figure 2.28 SYST_RVR



The bit assignments are given in Table 2.42.

Table 2.42 SYST_RVR Bit Assignments

Bits	Name	Function
[31:24]	-	Reserved.
[23:0]	RELOAD	Value to load into the SYST_CVR when the counter is enabled and when it reaches 0; see “Calculating the RELOAD value” below.

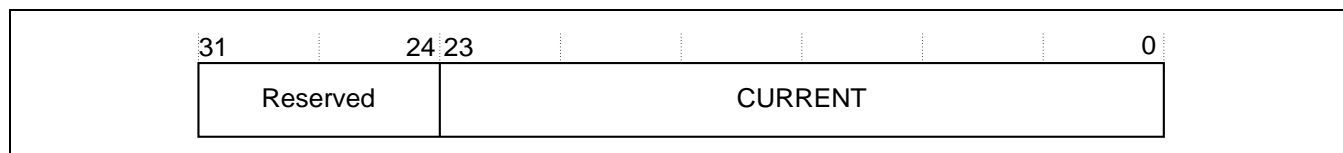
Calculating the RELOAD value

The RELOAD value can be any value in the range 0x00000001-0x00FFFFFF. A value of 0 can be programmed, but this has no effect because the SysTick exception request and COUNTFLAG are activated when counting from 1 to 0. To generate a multi-shot timer with a period of N processor clock cycles, use a RELOAD value of N-1. For example, if the SysTick interrupt is required every 100 clock pulses, set RELOAD to 99.

2.4.4.3 SysTick Current Value Register (SYST_CVR)

The SYST_CVR contains the current value of the SysTick counter. See the register summary in Table 2.40 for its attributes.

Figure 2.29: SYST_CVR



The bit assignments are given in Table 2.43.

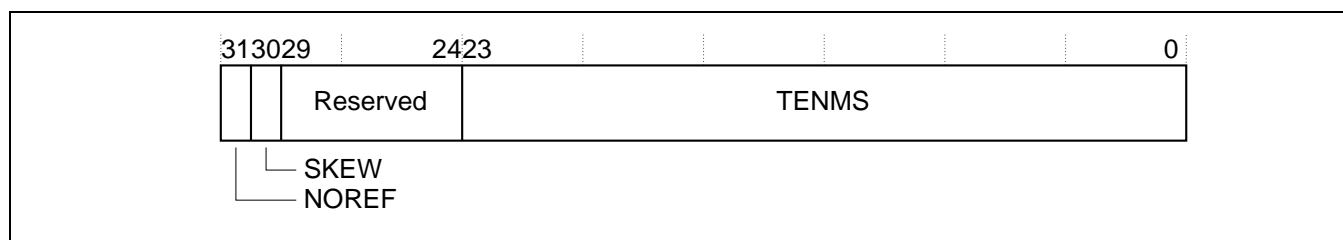
Table 2.43: SYST_CVR Bit Assignments

Bits	Name	Function
[31:24]	-	Reserved.
[23:0]	CURRENT	Reads return the current value of the SysTick counter. A write of any value clears the field to 0, and also clears the SYST_CSR.COUNTFLAG bit to 0.

2.4.4.4 SysTick Calibration Value Register (SYST_CALIB)

The SYST_CALIB register indicates the SysTick calibration properties. See the register summary in Table 2.40 for its attributes.

Figure 2.30: SYST_CALIB



The bit assignments are given in Table 2.44.

Table 2.44 SYST_CALIB Bit Assignments

Bits	Name	Function
[31]	NOREF	Reads as one. Indicates that no separate reference clock is provided.
[30]	SKEW	Reads as zero.
[29:24]	-	Reserved.
[23:0]	TENMS	The value read depends on the chosen clock divider value clkDiv (see corresponding data sheet. clkDiv == 0: 0x30D3F clkDiv == 1: 0x1869F clkDiv == 2: 0x0C34F clkDiv == 3: 0x061A7

2.4.4.5 SysTick Usage Hints and Tips

The interrupt controller clock updates the SysTick counter. If this clock signal is stopped for low power mode, the SysTick counter stops.

Ensure software uses word accesses to access the SysTick registers.

If the SysTick counter reload and current value are undefined at reset, the correct initialization sequence for the SysTick counter is

1. Program reload value.
2. Clear current value.
3. Program Control and Status register.

2.5 Glossary

This glossary describes some of the terms used in technical documents from ARM, Ltd.

Aligned	A data item stored at an address that is divisible by the number of bytes that defines the data size is said to be aligned. Aligned words and halfwords have addresses that are divisible by four and two respectively. The terms word-aligned and halfword-aligned therefore stipulate addresses that are divisible by four and two respectively.
Base register	In instruction descriptions, a register specified by a load or store instruction that is used to hold the base value for the instruction's address calculation. Depending on the instruction and its addressing mode, an offset can be added to or subtracted from the base register value to form the address that is sent to memory. <i>See also</i> Index register.
Big-endian (BE)	Byte ordering scheme in which bytes of decreasing significance in a data word are stored at increasing addresses in memory. <i>See also</i> Byte-invariant, Endianness, Little-endian.
Big-endian memory	Memory in which <ul style="list-style-type: none"> • a byte or halfword at a word-aligned address is the most significant byte or halfword within the word at that address • a byte at a halfword-aligned address is the most significant byte within the halfword at that address. <i>See also</i> Little-endian memory.
Breakpoint	A breakpoint is a mechanism provided by debuggers to identify an instruction at which program execution is to be halted. Breakpoints are inserted by the programmer to enable inspection of register contents, memory locations, and variable values at fixed points in the program execution to test that the program is operating correctly. Breakpoints are removed after the program is successfully tested.

Byte-invariant	In a byte-invariant system, the address of each byte of memory remains unchanged when switching between little-endian and big-endian operation. When a data item larger than a byte is loaded from or stored to memory, the bytes making up that data item are arranged into the correct order depending on the endianness of the memory access. An ARM® byte-invariant implementation also supports unaligned halfword and word memory accesses. It expects multi-word accesses to be word-aligned.
Cache	A block of on-chip or off-chip fast access memory locations, situated between the processor and main memory, used for storing and retrieving copies of often used instructions, data, or instructions and data. This is done to greatly increase the average speed of memory accesses and so improve processor performance.
Condition field	A four-bit field in an instruction that specifies a condition under which the instruction can execute.
Conditional execution	If the condition code flags indicate that the corresponding condition is true when the instruction starts executing, it executes normally. Otherwise, the instruction does nothing.
Context	The environment that each process operates in for a multitasking operating system. In ARM® processors, this is limited to mean the physical address range that it can access in memory and the associated memory access permissions.
Debugger	A debugging system that includes a program used to detect, locate, and correct software faults, together with custom hardware that supports software debugging.
Direct Memory Access (DMA)	An operation that accesses main memory directly, without the processor performing any accesses to the data concerned.
Endianness	Byte ordering. The scheme that determines the order that successive bytes of a data word are stored in memory. An aspect of the system's memory mapping. <i>See also</i> Little-endian and Big-endian
Exception	An event that interrupts program execution. When an exception occurs, the processor suspends the normal program flow and starts execution at the address indicated by the corresponding exception vector. The indicated address contains the first instruction of the handler for the exception. An exception can be an interrupt request, a fault, or a software-generated system exception. Faults include attempting an invalid memory access, attempting to execute an instruction in an invalid processor state, and attempting to execute an undefined instruction.
Exception vector	See Interrupt vector.
Halfword	A 16-bit data item.
Implementation-defined	The behavior is not architecturally defined but is defined and documented by individual implementations.

Implementation-specific

The behavior is not architecturally defined and does not have to be documented by individual implementations. Used when there are a number of implementation options available and the option chosen does not affect software compatibility.

Index register

In some load and store instruction descriptions, the value of this register is used as an offset to be added to or subtracted from the base register value to form the address that is sent to memory. Some addressing modes optionally enable the index register value to be shifted prior to the addition or subtraction. See *also* Base register.

Interrupt handler

A program that control of the processor is passed to when an interrupt occurs.

Interrupt vector

One of a number of fixed addresses in low memory or in high memory if high vectors are configured that contains the first instruction of the corresponding interrupt handler.

Little-endian (LE)

Byte ordering scheme in which bytes of increasing significance in a data word are stored at increasing addresses in memory.

See *also* Big-endian, Byte-invariant, Endianness.

Little-endian memory

Memory in which

- a byte or halfword at a word-aligned address is the least significant byte or halfword within the word at that address
- a byte at a halfword-aligned address is the least significant byte within the halfword at that address.

See *also* Big-endian memory.

Read

Reads are defined as memory operations that have the semantics of a load. Reads include the Thumb® instructions LDM, LDR, LDRSH, LDRH, LDRSB, LDRB, and POP.

Region

A partition of memory space.

Reserved

A field in a control register or instruction format is reserved if the field is to be defined by the implementation or produces Unpredictable results if the contents of the field are not zero. These fields are reserved for use in future extensions of the architecture or are implementation-specific. All reserved bits not used by the implementation must be written as 0 and read as 0.

Thumb® instruction

One or two halfwords that specify an operation for a processor to perform. Thumb® instructions must be halfword-aligned.

Unaligned

A data item stored at an address that is not divisible by the number of bytes that defines the data size is said to be unaligned. For example, a word stored at an address that is not divisible by four.

Undefined

Indicates an instruction that generates an Undefined instruction exception.

Unpredictable

Cannot rely on the behavior. Unpredictable behavior must not represent security holes. Unpredictable behavior must not halt or hang the processor or any parts of the system.

Warm reset

Also known as a core reset. Initializes the majority of the processor excluding the debug controller and debug logic. This type of reset is useful when using the debugging features of a processor.

WA

See Write-allocate.

WB	See Write-back.
Word	A 32-bit data item.
Write	Writes are defined as operations that have the semantics of a store. Writes include the Thumb® instructions STM, STR, STRH, STRB, and PUSH.
Write-allocate (WA)	In a write-allocate cache, a cache miss on storing data causes a cache line to be allocated into the cache.
Write-back (WB)	In a write-back cache, data is only written to main memory when it is forced out of the cache on line replacement following a cache miss. Otherwise, writes by the processor only update the cache. This is also known as copyback.
Write buffer	A block of high-speed memory, arranged as a FIFO buffer, between the data cache and main memory, whose purpose is to optimize stores to main memory.
Write-through (WT)	In a write-through cache, data is written to main memory at the same time as the cache is updated.
WT	See Write-through.

3 DOCUMENT REVISION HISTORY

Revision	Date	Description
1.00	April 24, 2012	First release
1.01	May 9, 2012	Revision of copyright notices.
1.10	July 26, 2012	Further revision of copyright notices.
	April 19, 2016	Changed to IDT branding.

IMPORTANT NOTICE AND DISCLAIMER

RENESAS ELECTRONICS CORPORATION AND ITS SUBSIDIARIES (“RENESAS”) PROVIDES TECHNICAL SPECIFICATIONS AND RELIABILITY DATA (INCLUDING DATASHEETS), DESIGN RESOURCES (INCLUDING REFERENCE DESIGNS), APPLICATION OR OTHER DESIGN ADVICE, WEB TOOLS, SAFETY INFORMATION, AND OTHER RESOURCES “AS IS” AND WITH ALL FAULTS, AND DISCLAIMS ALL WARRANTIES, EXPRESS OR IMPLIED, INCLUDING, WITHOUT LIMITATION, ANY IMPLIED WARRANTIES OF MERCHANTABILITY, FITNESS FOR A PARTICULAR PURPOSE, OR NON-INFRINGEMENT OF THIRD-PARTY INTELLECTUAL PROPERTY RIGHTS.

These resources are intended for developers who are designing with Renesas products. You are solely responsible for (1) selecting the appropriate products for your application, (2) designing, validating, and testing your application, and (3) ensuring your application meets applicable standards, and any other safety, security, or other requirements. These resources are subject to change without notice. Renesas grants you permission to use these resources only to develop an application that uses Renesas products. Other reproduction or use of these resources is strictly prohibited. No license is granted to any other Renesas intellectual property or to any third-party intellectual property. Renesas disclaims responsibility for, and you will fully indemnify Renesas and its representatives against, any claims, damages, costs, losses, or liabilities arising from your use of these resources. Renesas' products are provided only subject to Renesas' Terms and Conditions of Sale or other applicable terms agreed to in writing. No use of any Renesas resources expands or otherwise alters any applicable warranties or warranty disclaimers for these products.

(Disclaimer Rev.1.01)

Corporate Headquarters

TOYOSU FORESIA, 3-2-24 Toyosu,
Koto-ku, Tokyo 135-0061, Japan
www.renesas.com

Trademarks

Renesas and the Renesas logo are trademarks of Renesas Electronics Corporation. All trademarks and registered trademarks are the property of their respective owners.

Contact Information

For further information on a product, technology, the most up-to-date version of a document, or your nearest sales office, please visit www.renesas.com/contact-us/.