

## Introduction

What started out as a 7-segment LED digit display decoder/driver became the basis of voltmeter development using a single GreenPAK IC. Based on this Voltmeter circuit, designs can be extended to Tachometer, Thermometer, and SPI to DISPLAY devices. Device peculiarities are described below.

## Display

Voltmeter construction requires 4-bit binary code conversion in order for the numbers to be shown on the 7-segment display. The display configuration table (Figure 1) helps to understand the decoder. Each segment of the indicator named a..g is controlled by one IC output pin.

	0	1	2	3	4	5	6	7	8	9
a	█	█	█	█	█	█	█	█	█	█
b	█	█	█	█	█	█	█	█	█	█
c	█	█	█	█	█	█	█	█	█	█
d	█	█	█	█	█	█	█	█	█	█
e	█	█	█	█	█	█	█	█	█	█
f	█	█	█	█	█	█	█	█	█	█
g	█	█	█	█	█	█	█	█	█	█
	1111	1110	1101	1100	1011	1010	1001	1000	0111	0110

Figure 1. Display configuration table

Which segment to illuminate in order to show each number is also shown in Fig 1. Using this table for each segment, a decoder was created using LUTs (see Figure2).

Detailed decoder blocks configuration can be found in Appendix 1.

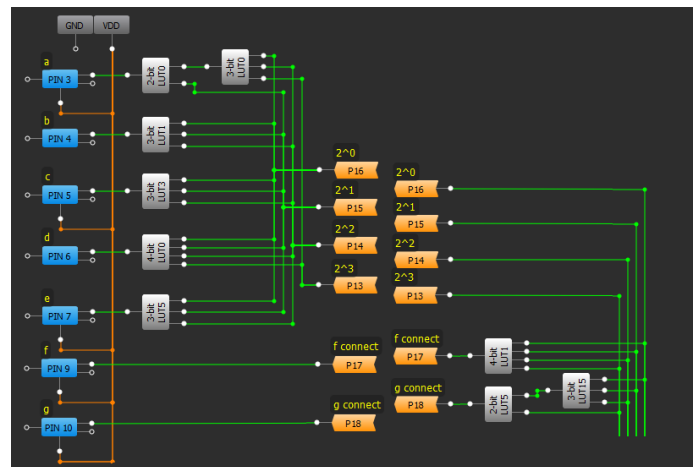


Figure 2. Decoder part review

## Design approach

The Voltmeter input stage is a volt-interval converter based on the following cells: PGA, ADC and FSM0. It works as follows.

The ADC cell digitizes the input voltage value. Then the ADC data is loaded into a Finite state machine FSM0 is used as a counter with its output period dependent on the loaded data. When the input voltage is close to 0 volts, ADC data will be close to digital 0, which provides the shortest counter (FSM0) period and vice versa. When the input voltage is close to 1 volt, ADC data will be close to 255 and the FSM0 output period will be at its longest. For example, when ADC's input is at 0.5V, its output will be 128. FSM0's output will be a periodic waveform with a period of 128\*FSM0 clock and a pulse width of 1 FSM0 clock.

The next circuit utilizes two 4-bit decimal counters (DC), implemented using DFF0, DFF1, DFF2, PIPE DELAY0 (for the first one) and DFF6, DFF7, DFF8, PIPE DELAY1 (for the second one) flip flops. These counters count 10 times from 1111<sub>2</sub> to 0110<sub>2</sub>. After reaching the last value, the DCs will be reset by this design using 2-bit LUT1, 3-bit LUT2 for the first and 2-bit LUT6, 2-bit LUT7 for the second counter.

The first counter is used for the least significant digit, and the second one for the most significant digit.

The DCs interaction with the volt-interval converter is described as follows: A constant frequency signal is input to the first decimal counter (FDC) and its output value changes from  $1111_2$  to  $0110_2$ . After that, 3-bit LUT2 generates a clock signal for the second decimal counter (SDC). So we receive a two-digit number and value between 0-99 in the specific binary code: FDC for the least significant digit and SDC for the most significant digit. At the FSM0 output's rising edge, it resets both DCs. At reset, the appropriate binary code is captured and decoded onto the 7 segment display. However, for the numerical values of the measured voltage and decimal counters contents to match, the decimal counters and FSM0 counter have to match in their periods. In other words, FSM0 clock times max FSM0 counter data (255) should be equal to DC clock times max DC data (99). In this design, FSM0 clock is sourced from CNT1(1.2ms) and DC clock is sourced from CNT0(3.1ms);  $1.2 \times 255 = 3.1 \times 99$ . Since the DCs are always counting, they are not unsuitable for outputting signals directly to the display. So when FSM0 resets the DCs, their values are latched; LATCH3, LATCH4, LATCH5 and 3-bit LUT4 for FDC and LATCH10, LATCH11, 3-bit LUT13, 3-bit LUT14 for SDC. The circuit behaves as follows: When the FSM0 output goes HIGH, it is detected by the rising-edge detector (P DLY0), whose inverted signal sets the current values of DC into the latches. After this operation is finished, the second rising-edge detector (P DLY1) resets the DCs. After that, the data from latches is ready to be output to the display.

The ADC has a 50mV DC offset. This means that ADC outputs  $0000_2$  even when there is 50mV on its input. This problem can be solved with an ADC offset compensator circuit. It is built using 2-bit LUT3, CNT/DLY5, 3-bit LUT7 and 2-bit LUT2 cells. Its operation is as follows:

After the input voltage is applied, a HIGH level signal appears on the FSM0 output, and then  $1111_2$  code is set into the latch circuit (corresponds to 0 volt), and DCs are reset. FSM0 is stopped, because there is a high level on its RESET input. At the same time, DCs are operational. When the signal from FSM0 passes to the DLY5 cell output, then the RESET input of FSM0 will become LOW and FSM0 will start its operation.

Because of that circuit the equivalent of almost 50mV is added to the ADC. With that, the DCs' values will then be equal to a digital value of the measured analog voltage.

The digital compensation value is adjusted by choosing DLY5 counter data. Moreover, when DCs overflow happens, 2-bit LUT6, 2-bit LUT7, 2-bit LUT1 and 2-bit LUT2 cells provide full system reset (including FSM0).

### Digits expansion

The GreenPAK IC contains enough internal circuitry to implement one display decoder, but we wanted a two digit display for this voltmeter. This is a circuit resource problem because we planned two DCs (representing two decimal numbers). To solve this problem a dynamic display driver was used.

For its implementation an RC OSC, DFF9, 3-bit LUT9, 3-bit LUT10, 3-bit LUT11, 3-bit LUT12 and 2-bit LUT4 cells were used. RC OSC output signal 20.8(3) kHz frequency is divided by two using DFF9 block to receive a signal with 50% duty cycle, which is necessary for even time (and intensity) division between two indicator displays.

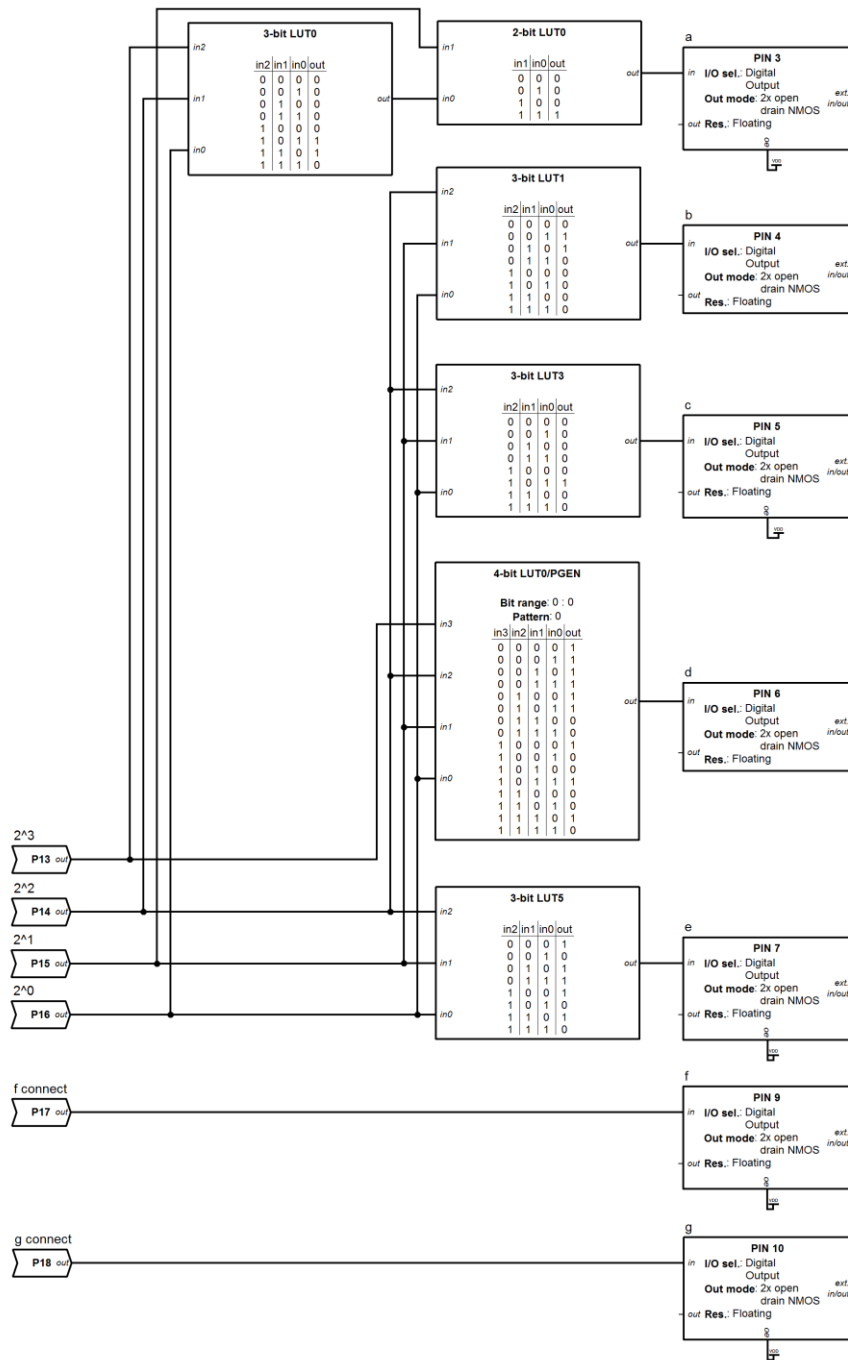
This control signal comes to a switch circuit, made of 3-bit LUT9, 3-bit LUT10, 3-bit LUT11, 3-bit LUT12, which provide alternating connection of FDC and SDC to the decoder.

In order to supply data to the proper indicator display (least significant digit or most significant digit) there are two additional outputs: SELECTOR\_OUT 0x COM\_ANODE (units indicator connection) and SELECTOR\_OUT x0 COM\_ANODE (tens indicator connection). These outputs are configured as open drain P-MOS. However, the decoder bus outputs are configured as open drain N-MOS. Using this configuration, the data from every DC comes to an appropriate display with 10 kHz frequency and 50% duty cycle. The design configuration can be found in Appendix 1. In Appendix 2 the schematic, PCB and device pictures are shown. Functional waveforms are shown in Appendix 3.

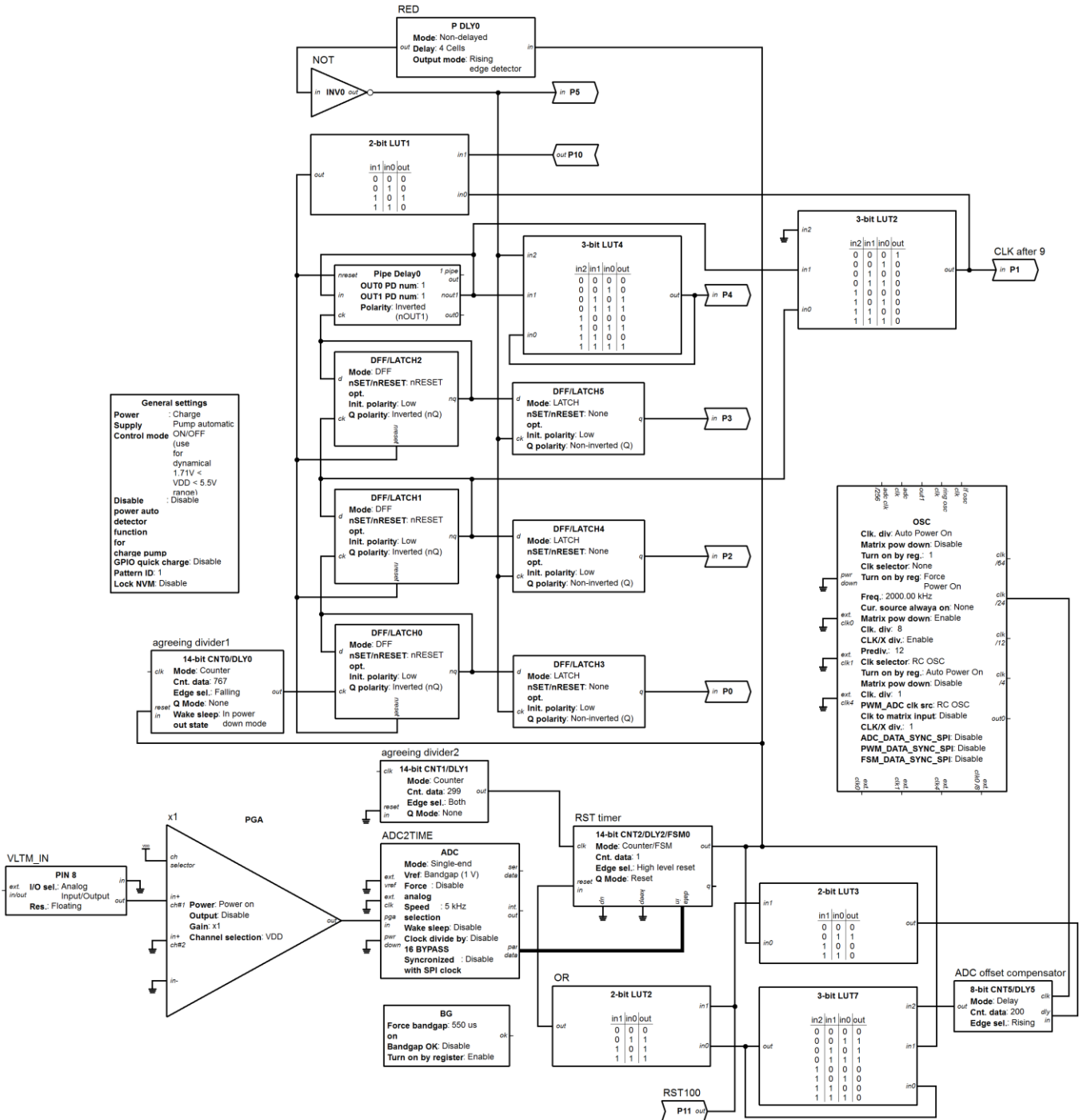
### Conclusion

A 2-digit Voltmeter with 7-segment display has been proposed. Also demonstrated is how unexpectedly flexible the GreenPAK IC application can be. This design can be used for voltage measurements with two digits accuracy. The Voltmeter can be used as a voltage probe for Li-Ion Batteries or charging circuits. This Voltmeter can be used as a basis for other devices such as current meter, tachometer or thermometer.

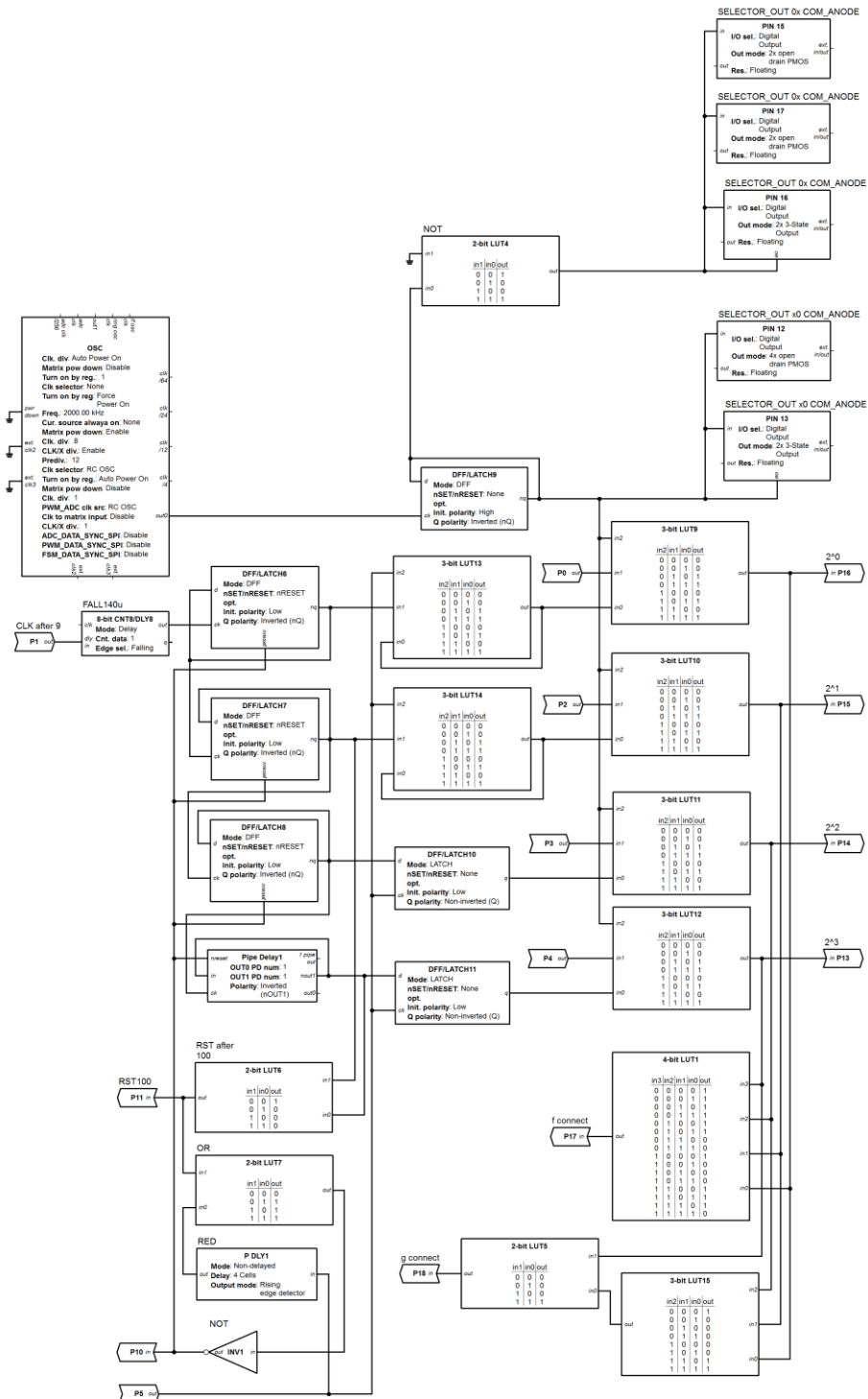
Appendix 1



Block Diagram for Design. Matrix0 Part 1. Decoder

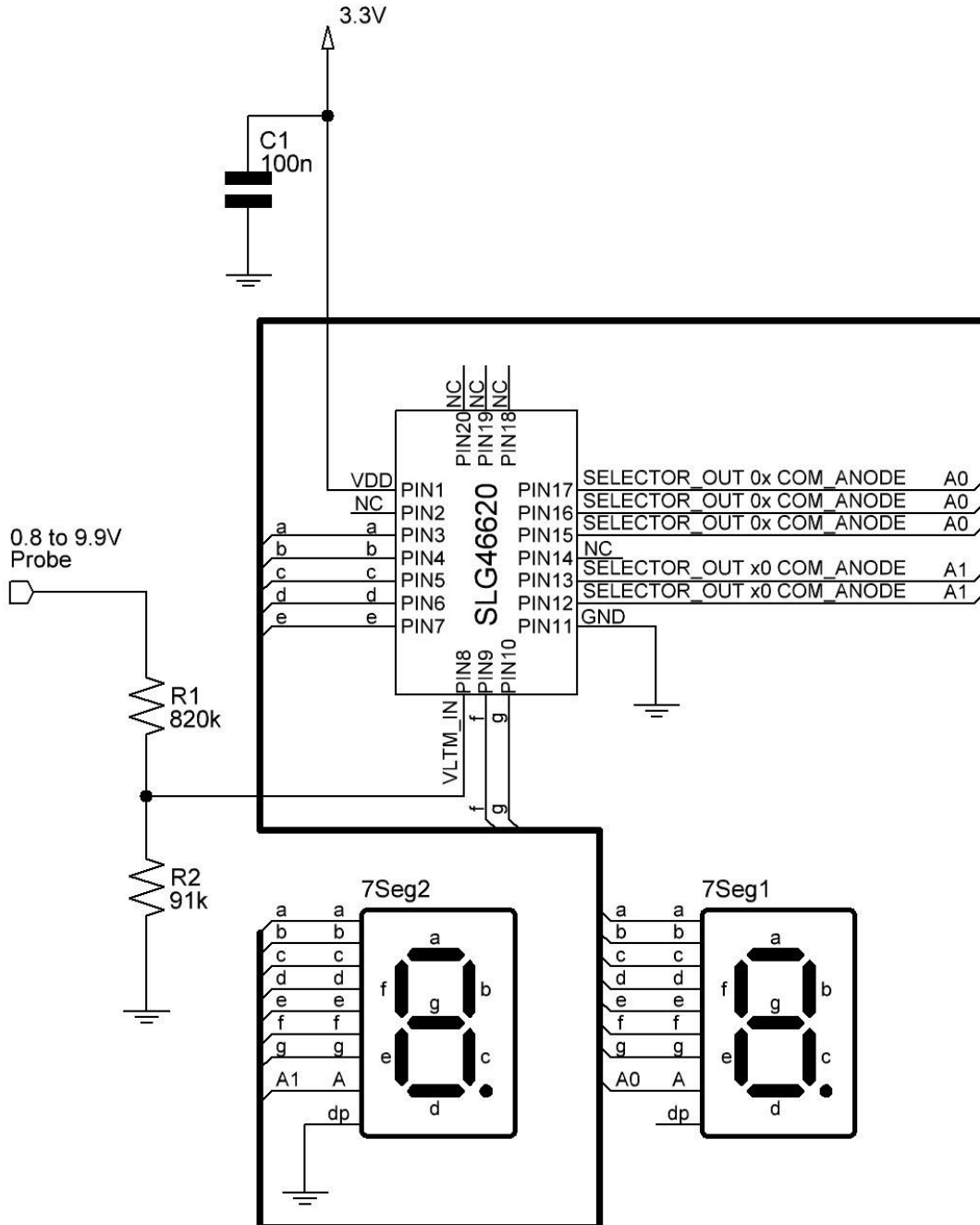


Block Diagram for Design. Matrix0 Part 2. Voltmeter architecture



Block Diagram for Design. Matrix1 Part 3. Voltmeter architecture

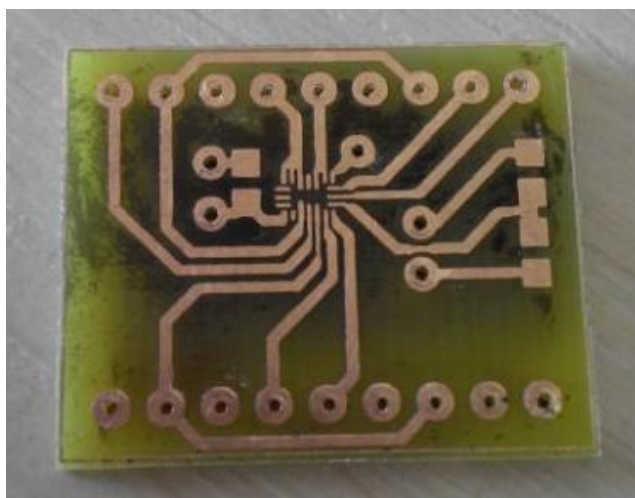
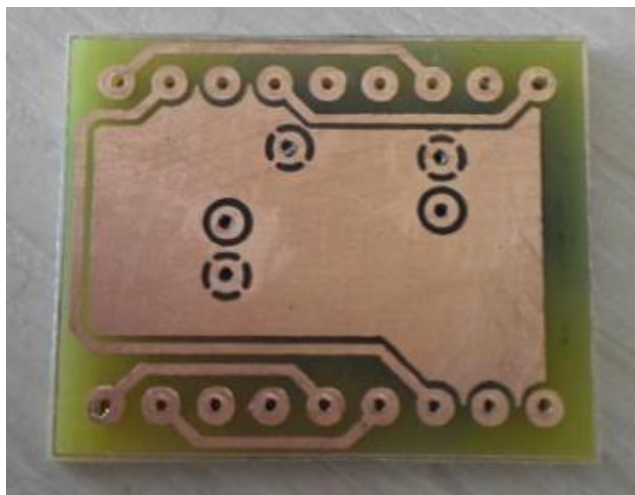
Appendix 2



Schematic



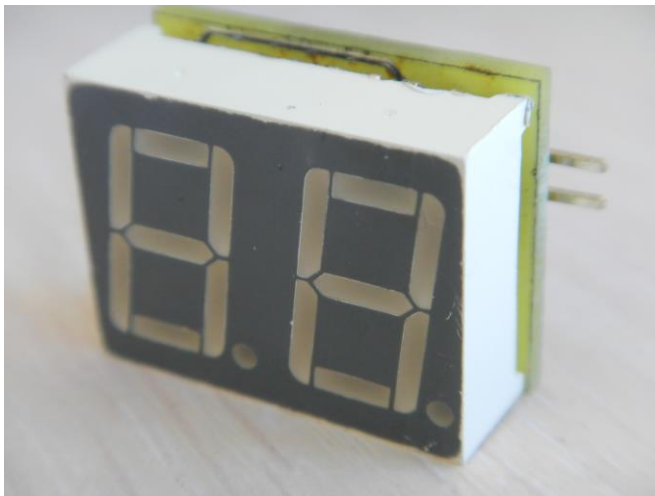
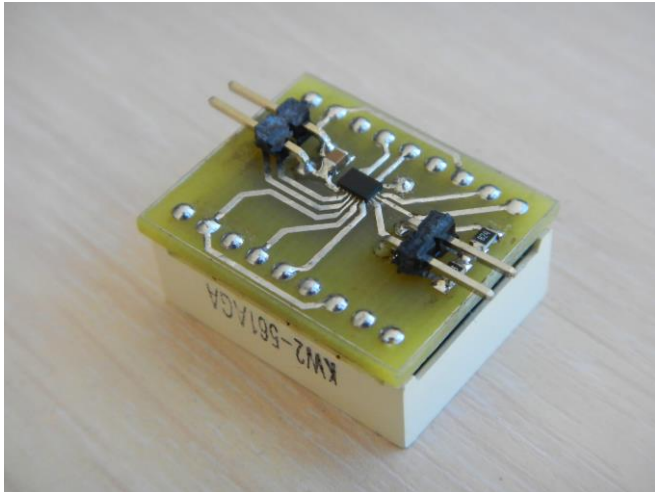
**PCB pictures**



- 1. Bottom Layer
- 2. Top Layer



**Devise pictures**



- 1. Bottom device review:
  - 2. Top device review
- GPAK chip & SMD details**



- 3. Voltage measurement 3.2V
- 4. Voltage measurement 4.5V

## Appendix 3. Functionality waveforms

Channel 1 (yellow/top line) – PIN#8 (VLTM\_IN)

Channel 2 (light blue/2nd line) – PIN#12 (SELECTOR\_OUT x0 COM\_ANODE) with external 5kΩ pull down resistor

Channel 4 (green/3rd line) – PIN#15 (SELECTOR\_OUT 0x COM\_ANODE) with external 5kΩ pull down resistor

D0 – PIN#3 (a) with external 5kΩ pull up resistor

D1 – PIN#4 (b) with external 5kΩ pull up resistor

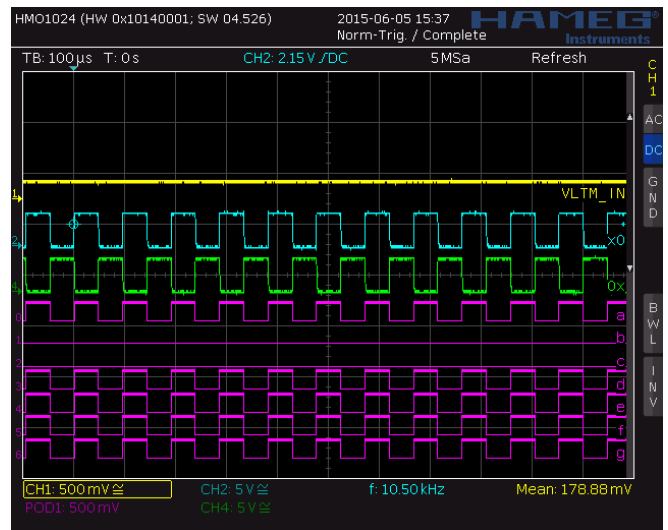
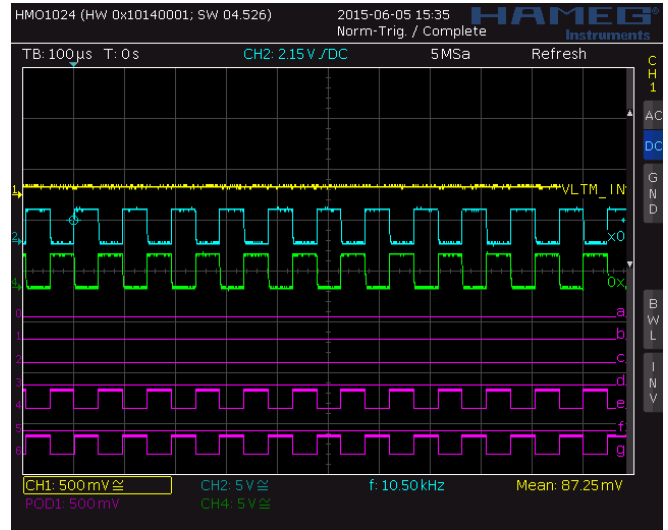
D2 – PIN#5 (c) with external 5kΩ pull up resistor

D3 – PIN#6 (d) with external 5kΩ pull up resistor

D4 – PIN#7 (e) with external 5kΩ pull up resistor

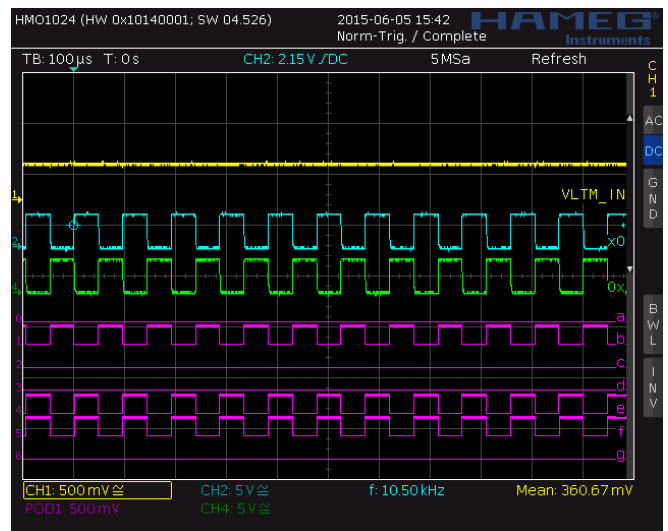
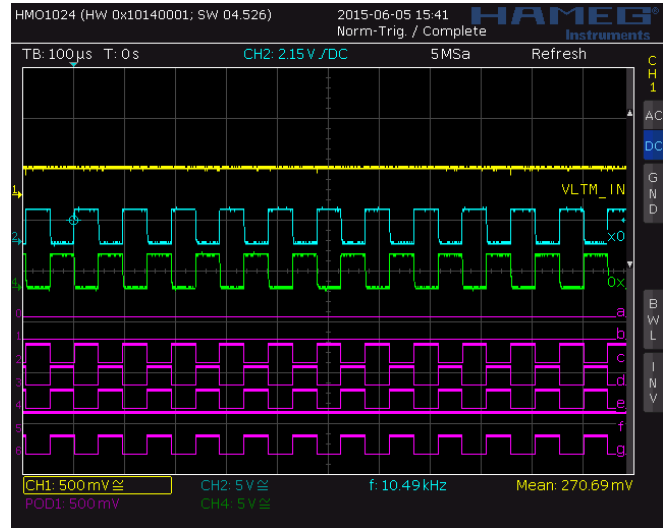
D5 – PIN#9 (f) with external 5kΩ pull up resistor

D6 – PIN#10 (g) with external 5kΩ pull up resistor



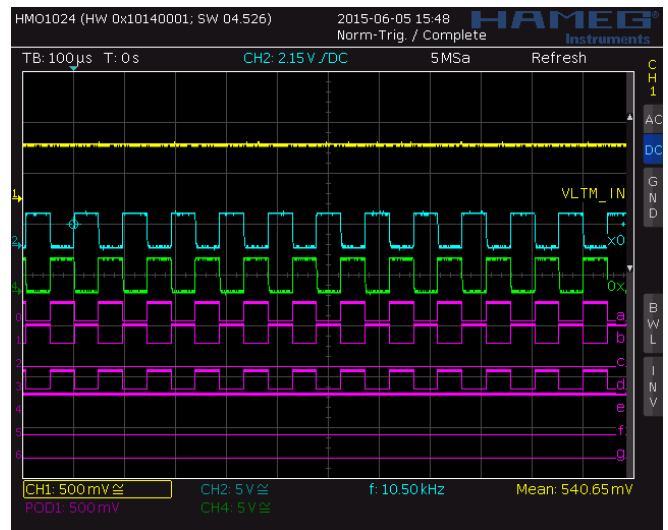
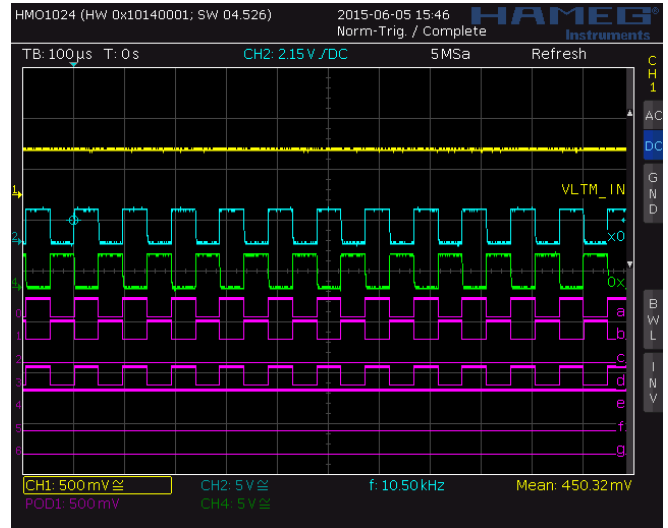
1. 90 mV on ADC input ('0' and '9' are displayed)
2. 180 mV on ADC input ('1' and '8' are displayed)

- Channel 1 (yellow/top line) – PIN#8 (VLTM\_IN)
- Channel 2 (light blue/2nd line) – PIN#12 (SELECTOR\_OUT x0 COM\_ANODE) with external 5kΩ pull down resistor
- Channel 4 (green/3rd line) – PIN#15 (SELECTOR\_OUT 0x COM\_ANODE) with external 5kΩ pull down resistor
- D0 – PIN#3 (a) with external 5kΩ pull up resistor
- D1 – PIN#4 (b) with external 5kΩ pull up resistor
- D2 – PIN#5 (c) with external 5kΩ pull up resistor
- D3 – PIN#6 (d) with external 5kΩ pull up resistor
- D4 – PIN#7 (e) with external 5kΩ pull up resistor
- D5 – PIN#9 (f) with external 5kΩ pull up resistor
- D6 – PIN#10 (g) with external 5kΩ pull up resistor



- 3. 270 mV on ADC input ('2' and '7' are displayed)
- 4. 360 mV on ADC input ('3' and '6' are displayed)

- Channel 1 (yellow/top line) – PIN#8 (VLTM\_IN)
- Channel 2 (light blue/2nd line) – PIN#12 (SELECTOR\_OUT x0 COM\_ANODE) with external 5kΩ pull down resistor
- Channel 4 (green/3rd line) – PIN#15 (SELECTOR\_OUT 0x COM\_ANODE) with external 5kΩ pull down resistor
- D0 – PIN#3 (a) with external 5kΩ pull up resistor
- D1 – PIN#4 (b) with external 5kΩ pull up resistor
- D2 – PIN#5 (c) with external 5kΩ pull up resistor
- D3 – PIN#6 (d) with external 5kΩ pull up resistor
- D4 – PIN#7 (e) with external 5kΩ pull up resistor
- D5 – PIN#9 (f) with external 5kΩ pull up resistor
- D6 – PIN#10 (g) with external 5kΩ pull up resistor



- 5. 450 mV on ADC input ('4' and '5' are displayed)
- 6. 540 mV on ADC input ('5' and '4' are displayed)

Channel 1 (yellow/top line) – PIN#8 (VLTM\_IN)

Channel 2 (light blue/2nd line) – PIN#12 (SELECTOR\_OUT x0 COM\_ANODE) with external 5kΩ pull down resistor

Channel 4 (green/3rd line) – PIN#15 (SELECTOR\_OUT 0x COM\_ANODE) with external 5kΩ pull down resistor

D0 – PIN#3 (a) with external 5kΩ pull up resistor

D1 – PIN#4 (b) with external 5kΩ pull up resistor

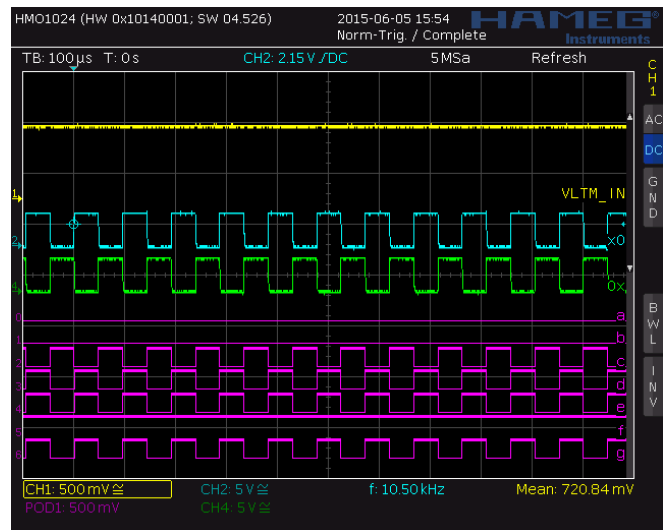
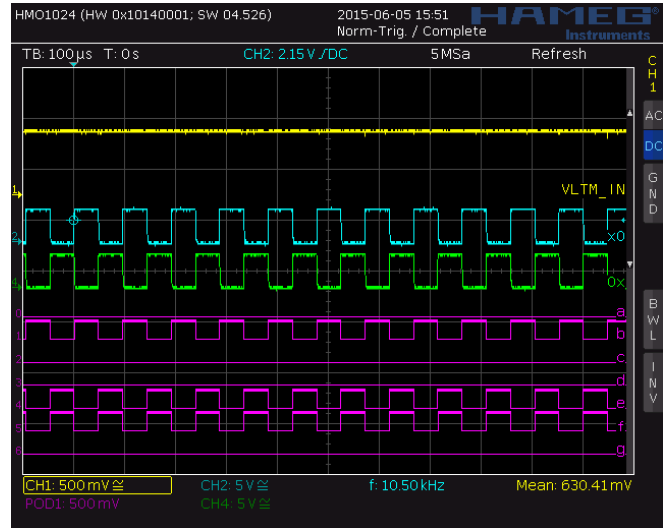
D2 – PIN#5 (c) with external 5kΩ pull up resistor

D3 – PIN#6 (d) with external 5kΩ pull up resistor

D4 – PIN#7 (e) with external 5kΩ pull up resistor

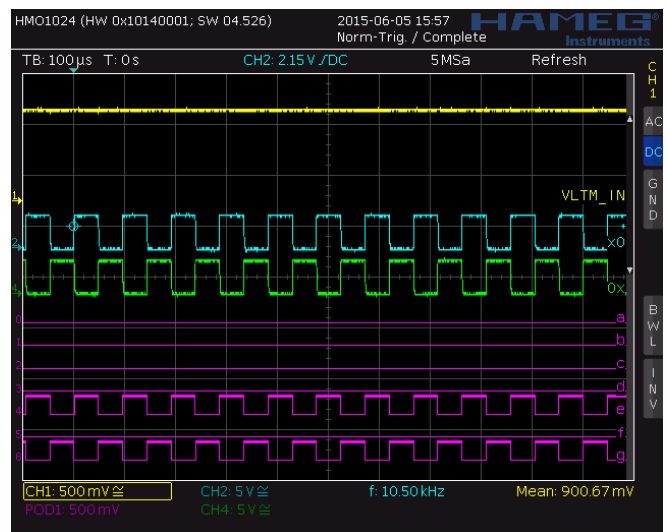
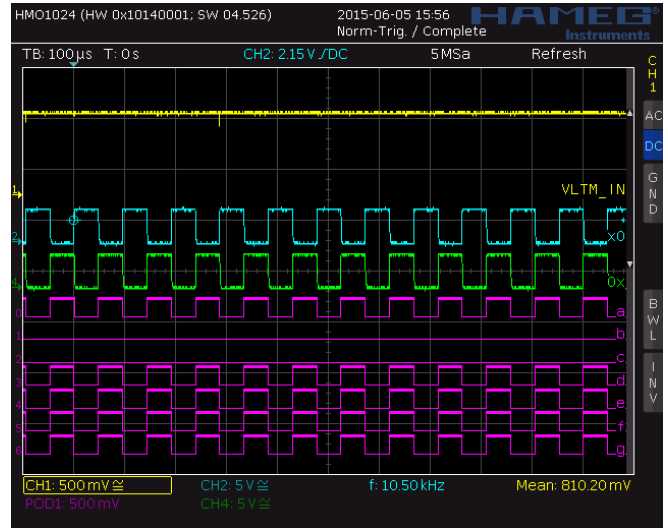
D5 – PIN#9 (f) with external 5kΩ pull up resistor

D6 – PIN#10 (g) with external 5kΩ pull up resistor



- 7. 630 mV on ADC input ('6' and '3' are displayed)
- 8. 720 mV on ADC input ('7' and '2' are displayed)

- Channel 1 (yellow/top line) – PIN#8 (VLTM\_IN)
- Channel 2 (light blue/2nd line) – PIN#12 (SELECTOR\_OUT x0 COM\_ANODE) with external 5kΩ pull down resistor
- Channel 4 (green/3rd line) – PIN#15 (SELECTOR\_OUT 0x COM\_ANODE) with external 5kΩ pull down resistor
- D0 – PIN#3 (a) with external 5kΩ pull up resistor
- D1 – PIN#4 (b) with external 5kΩ pull up resistor
- D2 – PIN#5 (c) with external 5kΩ pull up resistor
- D3 – PIN#6 (d) with external 5kΩ pull up resistor
- D4 – PIN#7 (e) with external 5kΩ pull up resistor
- D5 – PIN#9 (f) with external 5kΩ pull up resistor
- D6 – PIN#10 (g) with external 5kΩ pull up resistor



- 9. 810 mV on ADC input ('8' and '1' are displayed)
- 10. 900 mV on ADC input ('9' and '0' are displayed)

## IMPORTANT NOTICE AND DISCLAIMER

RENESAS ELECTRONICS CORPORATION AND ITS SUBSIDIARIES (“RENESAS”) PROVIDES TECHNICAL SPECIFICATIONS AND RELIABILITY DATA (INCLUDING DATASHEETS), DESIGN RESOURCES (INCLUDING REFERENCE DESIGNS), APPLICATION OR OTHER DESIGN ADVICE, WEB TOOLS, SAFETY INFORMATION, AND OTHER RESOURCES “AS IS” AND WITH ALL FAULTS, AND DISCLAIMS ALL WARRANTIES, EXPRESS OR IMPLIED, INCLUDING, WITHOUT LIMITATION, ANY IMPLIED WARRANTIES OF MERCHANTABILITY, FITNESS FOR A PARTICULAR PURPOSE, OR NON-INFRINGEMENT OF THIRD-PARTY INTELLECTUAL PROPERTY RIGHTS.

These resources are intended for developers who are designing with Renesas products. You are solely responsible for (1) selecting the appropriate products for your application, (2) designing, validating, and testing your application, and (3) ensuring your application meets applicable standards, and any other safety, security, or other requirements. These resources are subject to change without notice. Renesas grants you permission to use these resources only to develop an application that uses Renesas products. Other reproduction or use of these resources is strictly prohibited. No license is granted to any other Renesas intellectual property or to any third-party intellectual property. Renesas disclaims responsibility for, and you will fully indemnify Renesas and its representatives against, any claims, damages, costs, losses, or liabilities arising from your use of these resources. Renesas' products are provided only subject to Renesas' Terms and Conditions of Sale or other applicable terms agreed to in writing. No use of any Renesas resources expands or otherwise alters any applicable warranties or warranty disclaimers for these products.

(Disclaimer Rev.1.01)

### Corporate Headquarters

TOYOSU FORESIA, 3-2-24 Toyosu,  
Koto-ku, Tokyo 135-0061, Japan  
[www.renesas.com](http://www.renesas.com)

### Trademarks

Renesas and the Renesas logo are trademarks of Renesas Electronics Corporation. All trademarks and registered trademarks are the property of their respective owners.

### Contact Information

For further information on a product, technology, the most up-to-date version of a document, or your nearest sales office, please visit [www.renesas.com/contact-us/](http://www.renesas.com/contact-us/).