

**Introduction**

An important requirement in many systems is the ability to off-load numeric data processing. In an 80C286 system, this can be accomplished with an 80287 numeric co-processor. However, as processor speeds increase, it may become necessary to interface a high speed 80C286 processor with a lower speed 80287. This Document will briefly describe the interface between a 16MHz 80C286 (80C286-16) and a 10MHz 80287 (80287-10).

Interfacing the 80C286 with an 80287 can be broken down into three main areas:

- (1) Bus control lines and data lines which coordinate and implement the flow of data between the two processors (i.e. the data lines, chip select lines, and read/write lines).
- (2) The clock line(s), which drive the two processors.
- (3) The four status lines through which the 80C286 and 80287 directly communicate status information to one another - comprised of the BUSY, ERROR, Peripheral Request (PEREQ), and Peripheral Acknowledge (PEACK) lines.

**Bus Control Lines**

The various bus control and data lines in most systems would be coordinated by either a bus controller (such as the 82C288), or a bus controller subsection of an 80C286 oriented chip set. All requisite bus control timing between a 16MHz 80C286, and a 10MHz 80287 would then be handled by these devices (typically with one wait-state inserted to allow for the slower 80287-10).

**Clock Lines**

A system using a 16MHz 80C286 with a 10MHz 80287 requires separate clock lines for the two processors. The 32MHz system clock used by the 80C286-16 is too fast for the 80287 ±10, necessitating a dedicated clock driver for the 80287. This clock driver should supply a 10MHz clock to the

80287 with a 1/3 duty cycle to allow the 80287-10 to run at it's full 10MHz capability. One solution for providing this clock is the 82C84A-1, which meets this specification with either a 30MHz crystal at it's crystal inputs, or a 30MHz external frequency input to it's EFI pin. In either case, a 10MHz 1/3 duty cycle clock is output to the 80287. Note that when using a dedicated clock driver such as this, the CKM pin of the 80287 must be pulled up.

**Status Lines**

The 80C286 and 80287 communicate status information with one another through four signals; the BUSY line, the ERROR line, the peripheral request line (PEREQ), and the PEACK line.

The BUSY and ERROR lines can be connected from the 80287 to a 80C286-oriented chipset, or from the 80287 directly to a 80C286. In the case of the chipset interface, the signal timing between the 80287 and 80C286 is coordinated by the chipset. In the case of the direct 80287 to 80C286 interface, the signal timing is handled by the 80C286, and, since the signal flow direction is from the 80287 to the 80C286 (i.e. from the slower device to the faster device), no additional hardware is required to achieve proper timing.

The peripheral request (PEREQ) line should be connected directly from the 80287 to the 80C286, and again, since the signal flow direction is from the 80287 to the 80C286, no additional hardware is required.

The peripheral acknowledge (PEACK) line is normally connected directly from the 80C286 to the 80287. In this case the signal flow direction is from the 80C286 to the 80287 (i.e. faster device to slower device), and the PEACK active time is not guaranteed to meet the requirements of the slower 80287-10. Worst case timing for the 80C286-16 reveals that PEACK output could be as short as 45.5ns (i.e. PEACK (min) = 45.5ns). The 80287-10 input requirement is PEACK (min) = 60ns. (min) = 45.5ns). The 80287-10 input require-

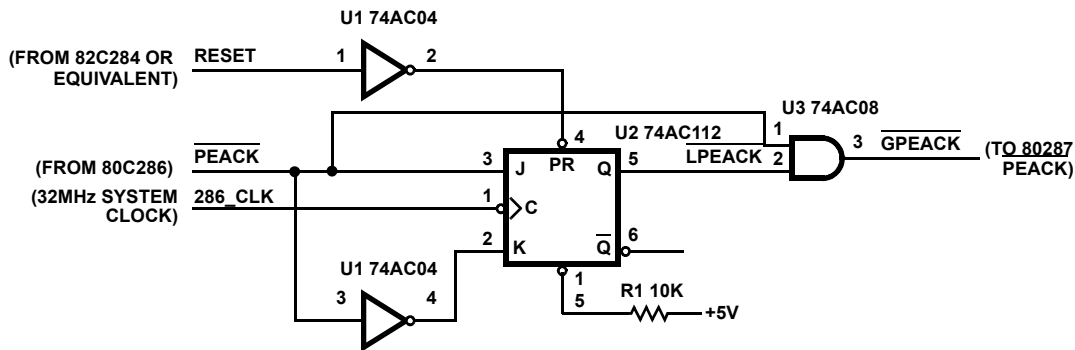


FIGURE 1. PEACK STRETCH CIRCUIT

The proper  $\overline{\text{PEACK}}$  timing can be achieved using the circuit shown in Figure 1 comprised of a 74AC04, 74AC08, and a 74AC112. Referring to the timing diagram shown in Figure 2, it can be seen that this circuit effectively "stretches" the 80C286's  $\overline{\text{PEACK}}$  output (in the form of  $\overline{\text{GPEACK}}$ ) to 72.7ns, which satisfies the 80287-10 requirement.

The operation of the circuit shown in Figure 1 is as follows:

- (1) The RESET signal (which is also applied to the 80C286) is used to initialize the 'AC112 to a known inactive state (Q = 1).
- (2) When the 80C286 asserts the  $\overline{\text{PEACK}}$  signal, the gated version of this signal ( $\overline{\text{GPEACK}}$ ) is asserted with minimal

delay (7.9ns through the 'AC08).

- (3) On the falling edge of the 80C286 CLK at the beginning of Phase 2 of the  $T_S$  cycle, the low state of  $\overline{\text{PEACK}}$  is clocked into the 'AC112. This effectively holds  $\overline{\text{GPEACK}}$  low for an additional clock cycle longer than standard  $\overline{\text{PEACK}}$  timing.
- (4) On the falling edge of the 80C286 CLK at the beginning of phase 2 of the first  $T_C$  cycle, the high state of  $\overline{\text{PEACK}}$  is clocked into the 'AC112, which then causes  $\overline{\text{GPEACK}}$  to go inactive.

The net effect of this circuit operation is to extend the 80C286's Peripheral Acknowledge signal to the 80287-10 sufficiently to meet its requirements.

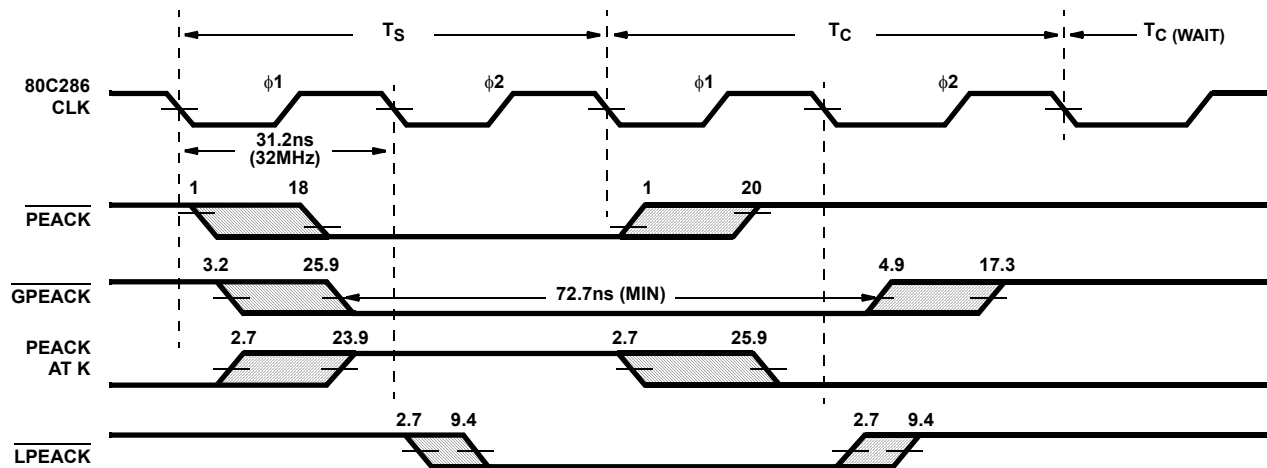


FIGURE 2. PEACK CYCLE TIMING

## Notice

1. Descriptions of circuits, software and other related information in this document are provided only to illustrate the operation of semiconductor products and application examples. You are fully responsible for the incorporation or any other use of the circuits, software, and information in the design of your product or system. Renesas Electronics disclaims any and all liability for any losses and damages incurred by you or third parties arising from the use of these circuits, software, or information.
2. Renesas Electronics hereby expressly disclaims any warranties against and liability for infringement or any other claims involving patents, copyrights, or other intellectual property rights of third parties, by or arising from the use of Renesas Electronics products or technical information described in this document, including but not limited to, the product data, drawings, charts, programs, algorithms, and application examples.
3. No license, express, implied or otherwise, is granted hereby under any patents, copyrights or other intellectual property rights of Renesas Electronics or others.
4. You shall not alter, modify, copy, or reverse engineer any Renesas Electronics product, whether in whole or in part. Renesas Electronics disclaims any and all liability for any losses or damages incurred by you or third parties arising from such alteration, modification, copying or reverse engineering.
5. Renesas Electronics products are classified according to the following two quality grades: "Standard" and "High Quality". The intended applications for each Renesas Electronics product depends on the product's quality grade, as indicated below.  
"Standard": Computers; office equipment; communications equipment; test and measurement equipment; audio and visual equipment; home electronic appliances; machine tools; personal electronic equipment; industrial robots; etc.  
"High Quality": Transportation equipment (automobiles, trains, ships, etc.); traffic control (traffic lights); large-scale communication equipment; key financial terminal systems; safety control equipment; etc.  
Unless expressly designated as a high reliability product or a product for harsh environments in a Renesas Electronics data sheet or other Renesas Electronics document, Renesas Electronics products are not intended or authorized for use in products or systems that may pose a direct threat to human life or bodily injury (artificial life support devices or systems; surgical implantations; etc.), or may cause serious property damage (space system; undersea repeaters; nuclear power control systems; aircraft control systems; key plant systems; military equipment; etc.). Renesas Electronics disclaims any and all liability for any damages or losses incurred by you or any third parties arising from the use of any Renesas Electronics product that is inconsistent with any Renesas Electronics data sheet, user's manual or other Renesas Electronics document.
6. When using Renesas Electronics products, refer to the latest product information (data sheets, user's manuals, application notes, "General Notes for Handling and Using Semiconductor Devices" in the reliability handbook, etc.), and ensure that usage conditions are within the ranges specified by Renesas Electronics with respect to maximum ratings, operating power supply voltage range, heat dissipation characteristics, installation, etc. Renesas Electronics disclaims any and all liability for any malfunctions, failure or accident arising out of the use of Renesas Electronics products outside of such specified ranges.
7. Although Renesas Electronics endeavors to improve the quality and reliability of Renesas Electronics products, semiconductor products have specific characteristics, such as the occurrence of failure at a certain rate and malfunctions under certain use conditions. Unless designated as a high reliability product or a product for harsh environments in a Renesas Electronics data sheet or other Renesas Electronics document, Renesas Electronics products are not subject to radiation resistance design. You are responsible for implementing safety measures to guard against the possibility of bodily injury, injury or damage caused by fire, and/or danger to the public in the event of a failure or malfunction of Renesas Electronics products, such as safety design for hardware and software, including but not limited to redundancy, fire control and malfunction prevention, appropriate treatment for aging degradation or any other appropriate measures. Because the evaluation of microcomputer software alone is very difficult and impractical, you are responsible for evaluating the safety of the final products or systems manufactured by you.
8. Please contact a Renesas Electronics sales office for details as to environmental matters such as the environmental compatibility of each Renesas Electronics product. You are responsible for carefully and sufficiently investigating applicable laws and regulations that regulate the inclusion or use of controlled substances, including without limitation, the EU RoHS Directive, and using Renesas Electronics products in compliance with all these applicable laws and regulations. Renesas Electronics disclaims any and all liability for damages or losses occurring as a result of your noncompliance with applicable laws and regulations.
9. Renesas Electronics products and technologies shall not be used for or incorporated into any products or systems whose manufacture, use, or sale is prohibited under any applicable domestic or foreign laws or regulations. You shall comply with any applicable export control laws and regulations promulgated and administered by the governments of any countries asserting jurisdiction over the parties or transactions.
10. It is the responsibility of the buyer or distributor of Renesas Electronics products, or any other party who distributes, disposes of, or otherwise sells or transfers the product to a third party, to notify such third party in advance of the contents and conditions set forth in this document.
11. This document shall not be reprinted, reproduced or duplicated in any form, in whole or in part, without prior written consent of Renesas Electronics.
12. Please contact a Renesas Electronics sales office if you have any questions regarding the information contained in this document or Renesas Electronics products.  
(Note 1) "Renesas Electronics" as used in this document means Renesas Electronics Corporation and also includes its directly or indirectly controlled subsidiaries.  
(Note 2) "Renesas Electronics product(s)" means any product developed or manufactured by or for Renesas Electronics.

(Rev.4.0-1 November 2017)



### SALES OFFICES

Renesas Electronics Corporation

<http://www.renesas.com>

Refer to "<http://www.renesas.com/>" for the latest and detailed information.

**Renesas Electronics America Inc.**  
1001 Murphy Ranch Road, Milpitas, CA 95035, U.S.A.  
Tel: +1-408-432-8888, Fax: +1-408-434-5351

**Renesas Electronics Canada Limited**  
9251 Yonge Street, Suite 8309 Richmond Hill, Ontario Canada L4C 9T3  
Tel: +1-905-237-2004

**Renesas Electronics Europe Limited**  
Dukes Meadow, Millboard Road, Bourne End, Buckinghamshire, SL8 5FH, U.K.  
Tel: +44-1628-651-700, Fax: +44-1628-651-804

**Renesas Electronics Europe GmbH**  
Arcadiastrasse 10, 40472 Düsseldorf, Germany  
Tel: +49-211-6503-0, Fax: +49-211-6503-1327

**Renesas Electronics (China) Co., Ltd.**  
Room 1709 Quantum Plaza, No.27 ZhichunLu, Haidian District, Beijing, 100191 P. R. China  
Tel: +86-10-8235-1155, Fax: +86-10-8235-7679

**Renesas Electronics (Shanghai) Co., Ltd.**  
Unit 301, Tower A, Central Towers, 555 Langao Road, Putuo District, Shanghai, 200333 P. R. China  
Tel: +86-21-2226-0888, Fax: +86-21-2226-0999

**Renesas Electronics Hong Kong Limited**  
Unit 1601-1611, 16/F., Tower 2, Grand Century Place, 193 Prince Edward Road West, Mongkok, Kowloon, Hong Kong  
Tel: +852-2265-6688, Fax: +852-2886-9022

**Renesas Electronics Taiwan Co., Ltd.**  
13F, No. 363, Fu Shing North Road, Taipei 10543, Taiwan  
Tel: +886-2-8175-9600, Fax: +886-2-8175-9670

**Renesas Electronics Singapore Pte. Ltd.**  
80 Bendemeer Road, Unit #06-02 Hyflux Innovation Centre, Singapore 339949  
Tel: +65-6213-0200, Fax: +65-6213-0300

**Renesas Electronics Malaysia Sdn.Bhd.**  
Unit 1207, Block B, Menara Amcorp, Amcorp Trade Centre, No. 18, Jln Persiaran Barat, 46050 Petaling Jaya, Selangor Darul Ehsan, Malaysia  
Tel: +60-3-7955-9390, Fax: +60-3-7955-9510

**Renesas Electronics India Pvt. Ltd.**  
No.777C, 100 Feet Road, HAL 2nd Stage, Indiranagar, Bangalore 560 038, India  
Tel: +91-80-67208700, Fax: +91-80-67208777

**Renesas Electronics Korea Co., Ltd.**  
17F, KAMCO Yangjae Tower, 262, Gangnam-daero, Gangnam-gu, Seoul, 06265 Korea  
Tel: +82-2-558-3737, Fax: +82-2-558-5338