

Reducing the Switching Frequency of the ISL8200M and ISL8200AM Power Modules

The ISL8200M and ISL8200AM power modules have a default nominal switching frequency of 700kHz. The datasheet describes two methods to increase the frequency up to 1.5MHz: 1) by tying a resistor (RFS) from the FSYNC_IN pin to PGND, and 2) synchronizing to an external clock. There are also similar methods by which the switching frequency can be reduced.

Methods for Reducing the Switching Frequency

One option is to tie a resistor, $R_{PULL-UP}$, from FSYNC_IN to a voltage supply higher than 1.2V and less than or equal to VCC, and a small capacitor, CFS, (in the 120pF to 150pF range) from FSYNC_IN to ground (Figure 2). The concept is to “reduce” the resistor that the controller sees on the FSYNC_IN pin by injecting a small amount of current into it with the capacitor acting as a small filter of the supply disturbance. Any variation in the supply will result in frequency variation. Figure 2 shows VCC as the supply to R_{PULLUP} because it is readily available from the module and is regulated.

The controller continuously senses the resistor value by measuring the internal current required to maintain the FSYNC_IN pin voltage at 1.2V. The lower the resistor value, the higher the internal current needed, which results in higher switching frequency. Because additional current is injected from the external resistor tied to the external supply, the internal current becomes smaller. The controller acts as though a lower value resistor is connected to it, thereby reducing the switching frequency.

Figure 1 shows the change in switching frequency at various $R_{PULL-UP}$ values for V_{IN} of 12V and 5V. $C_{FS} = 150pF$ for these measurements. $V_{OUT} = 3.3V$, however, switching frequency is independent of output voltage.

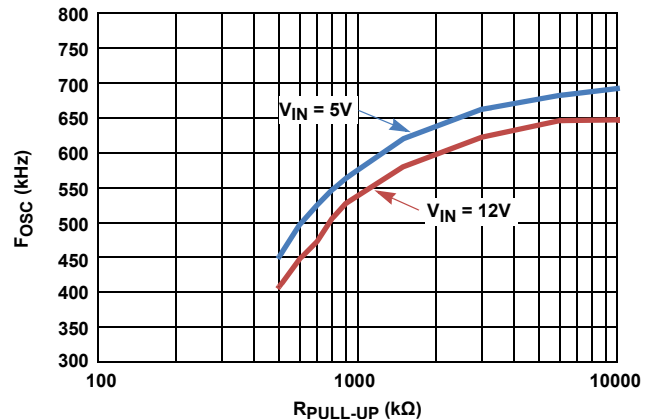


FIGURE 1. $R_{PULL-UP}$ vs SWITCHING FREQUENCY

Another method to reduce the switching frequency is to synchronize to an external clock. While the datasheet states that the synchronization frequency is limited from F_{OSC} to 1.5MHz, where F_{OSC} is the nominal switching frequency of the internal oscillator, or 700kHz, the ISL8200M and ISL8200AM will actually synchronize to frequencies below F_{OSC} . The modules will synchronize to any external clock, including the clock from the ISL8225 power module (510kHz).

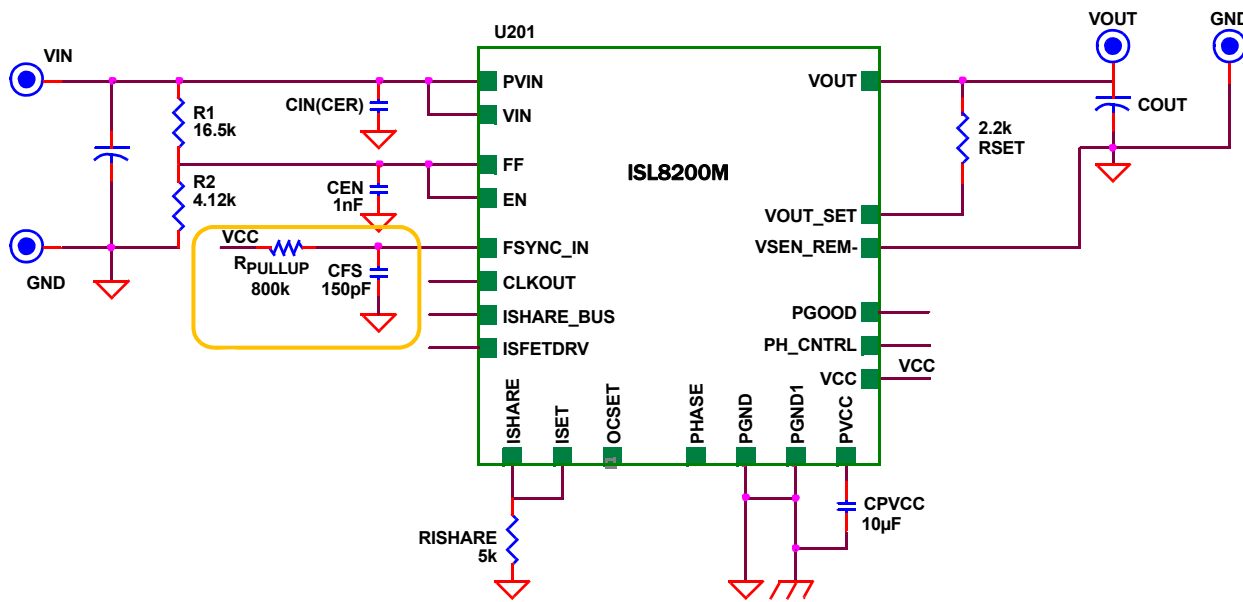


FIGURE 2. APPLICATIONS CIRCUIT FOR REDUCING F_{SW}

Reasons for Reducing the Switching Frequency

There may be several reasons why a designer might want to reduce the switching frequency of switching regulator and specifically the ISL8200M or ISL8200AM power module; increase efficiency, improve EMI, or to improve V_{IN} limitations. We will explore each of these to better understand the trade-offs.

Increase Efficiency

Reducing the switching frequency is a common practice used to increase overall efficiency by reducing switching losses in the MOSFETs, reducing bias current to the IC and other components. However, at the same time doing so will increase inductor current ripple and consequently increase inductor core loss. For a given set of power stage components (MOSFETs, inductor), the optimal switching frequency for efficiency varies with input and output voltage conditions. In a power module, most of the components are internal to the module and fixed and it is possible that reducing the switching frequency will actually make efficiency worse depending on the conditions of the application.

Figures 3 and 4 show typical efficiency curves for $V_{OUT} = 1.2V$ and $3.3V$, respectively, at $V_{IN} = 5V$ and $12V$ at both $500kHz$ and $700kHz$ switching frequencies. Under these conditions, it can be seen that efficiencies are generally improved at $500kHz$, but not under all conditions.

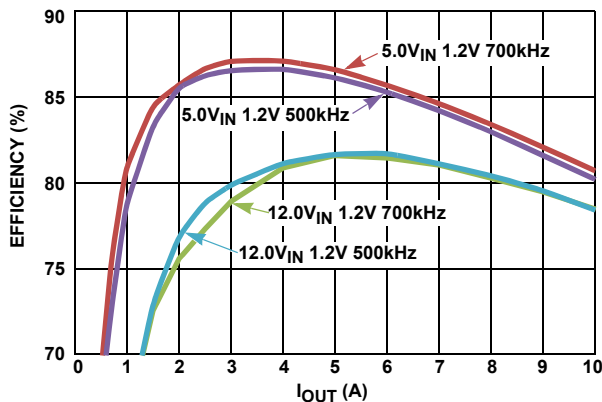


FIGURE 3. EFFICIENCY WITH $V_{OUT} = 1.2$ AT $V_{IN} = 5V$ AND $12V$ AND $F_{SW} = 700Hz$ AND $500kHz$

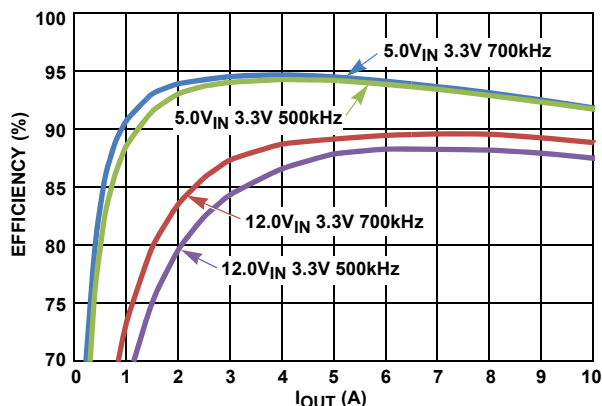


FIGURE 4. EFFICIENCY WITH $V_{OUT} = 3.3$ AT $V_{IN} = 5V$ AND $12V$ AND $F_{SW} = 700Hz$ AND $500kHz$

Noise/EMI Reduction

In some applications where noise sensitivity or in-band noise may be an issue, the system designer may want to avoid specific clock frequencies as they may be difficult or impossible to filter. Increasing the switching frequency is always an option, but this also has the tendency to increase overall EMI, so reducing the switching frequency may be desirable.

There may also be a system or master clock available to which the user may want to synchronize either for the reasons mentioned above, or to avoid having all the switching regulators free run. Free running clocks will periodically switch at the exact same time causing beat frequencies and increased noise.

Noise can be reduced further if each power module is synchronized to a phase shifted clock derived off the original master clock. The ISL8225M, ISL8200M and ISL8200AM, all have the capability of outputting clocks that are phase shifted by a programmable amount from the internal clock.

For example, if three power modules are used in a design, an optimum set up would be to have the master module output a 120° phase shifted clock to the second module. Similarly, the second module would again phase shift its clock 120° and output it to the third module. All three clocks are now 120° out-of-phase with each other.

There is also a side benefit in that the overall input capacitance can be reduced. This is because the phase shifted clocks will reduce the RMS input ripple current.

Improve V_{IN_MIN} limitations

The ISL8200M and ISL8200AM have a worst case minimum PWM off time of $410ns$. V_{IN} is limited by this minimum off time. Equation 1 gives the formula for V_{IN_MIN} .

$$V_{IN_MIN} = \frac{V_{OUT} \times t_{SW}}{t_{SW} - t_{MIN_OFF}} \quad (EQ. 1)$$

$$t_{SW} = \text{switching period} = 1/F_{SW}$$

Using an example of $V_{OUT} = 3.3V$, $t_{SW} = 1/700kHz = 1428ns$, $V_{IN_MIN} = 3.3V \times 1428 / (1428 - 410) = 4.63V$

If $V_{IN} = 5V \pm 10\%$ or $4.5V$ to $5.5V$, then we would not be able to use the ISL8200M or ISL8200AM for this application.

By reducing F_{SW} , or increasing t_{SW} , we can effectively reduce V_{IN_MIN} . Using the ISL8225M output clock of $510kHz$, for example, yields:

$$V_{IN_MIN} = 3.3 \times 1961 / (1961 - 410) = 4.17V$$

With $V_{IN} = 5V \pm 10\%$, we have sufficient margin operating at $510kHz$.

Other Trade-Offs

As mentioned above, reducing the switching frequency of the ISL8200M or ISL8200AM power modules can result in system level improvements. Some trade-off considerations have been mentioned (possible reduction in efficiency, max off-time issues.) but there are a few more that need to be considered.

The first consideration is that any decrease in switching frequency will increase output ripple current and subsequently the output ripple voltage.

The output ripple current equation is given by Equation 2. As can be seen, any reduction in L will result in an increase in the ripple current.

$$I_{\text{RIPPLE}} = \Delta i = (V_{\text{IN}} - V_{\text{OUT}}) \times D / (f_{\text{SW}} \times L) \quad (\text{EQ. 2})$$

Where f_{SW} = switching frequency, L = Inductor value D = duty Cycle = $V_{\text{OUT}}/V_{\text{IN}}$.

The peak current through the inductor is show in Equation 3.

$$I_{\text{LPEAK}} = I_{\text{LOAD}} + \Delta i / 2 \quad (\text{EQ. 3})$$

Care should be taken when reducing F_{SW} , so that the peak current through the inductor does not cause an OCP (Over Current Protection) level to trip too early for the application. Operating with higher inductor current may enter a region of excessive inductor saturation. It is recommended to stay below 20A peak inductor current ripple.

Additionally, the output ripple voltage is given in Equation 4. Since it is proportional to Δi , it too will increase. The maximum allowable ripple voltage is really at the discretion of the designer.

$$V_{\text{RIPPLE}} = \Delta V = \Delta i \times \text{ESR} \quad (\text{EQ. 4})$$

Where ESR = the equivalent ESR of the output capacitance.

Another outcome of reducing the switching frequency is the tendency toward instability. Generally, if the switching frequency is reduced while keeping the same compensation, the loop bandwidth will become too large relative to the switching frequency. The ISL8200M family has integrated internal components for compensation, therefore the compensation is fixed. In many applications, this reduction will not be enough to cause any issues, but for applications where low amount of output capacitor is used or those with high ESR value, loop stability should be verified in the lab. It is recommended to not set the switching frequency below 500kHz.

Conclusion

There are many reasons why the system designer may want to lower the switching frequency of the ISL8200M or ISL8200AM. Using either one of the two methods described above will give the desired result; however, care must be taken as there are several consequences to consider.

Notice

1. Descriptions of circuits, software and other related information in this document are provided only to illustrate the operation of semiconductor products and application examples. You are fully responsible for the incorporation or any other use of the circuits, software, and information in the design of your product or system. Renesas Electronics disclaims any and all liability for any losses and damages incurred by you or third parties arising from the use of these circuits, software, or information.
2. Renesas Electronics hereby expressly disclaims any warranties against and liability for infringement or any other claims involving patents, copyrights, or other intellectual property rights of third parties, by or arising from the use of Renesas Electronics products or technical information described in this document, including but not limited to, the product data, drawings, charts, programs, algorithms, and application examples.
3. No license, express, implied or otherwise, is granted hereby under any patents, copyrights or other intellectual property rights of Renesas Electronics or others.
4. You shall not alter, modify, copy, or reverse engineer any Renesas Electronics product, whether in whole or in part. Renesas Electronics disclaims any and all liability for any losses or damages incurred by you or third parties arising from such alteration, modification, copying or reverse engineering.
5. Renesas Electronics products are classified according to the following two quality grades: "Standard" and "High Quality". The intended applications for each Renesas Electronics product depends on the product's quality grade, as indicated below.
"Standard": Computers; office equipment; communications equipment; test and measurement equipment; audio and visual equipment; home electronic appliances; machine tools; personal electronic equipment; industrial robots; etc.
"High Quality": Transportation equipment (automobiles, trains, ships, etc.); traffic control (traffic lights); large-scale communication equipment; key financial terminal systems; safety control equipment; etc.
Unless expressly designated as a high reliability product or a product for harsh environments in a Renesas Electronics data sheet or other Renesas Electronics document, Renesas Electronics products are not intended or authorized for use in products or systems that may pose a direct threat to human life or bodily injury (artificial life support devices or systems; surgical implantations; etc.), or may cause serious property damage (space system; undersea repeaters; nuclear power control systems; aircraft control systems; key plant systems; military equipment; etc.). Renesas Electronics disclaims any and all liability for any damages or losses incurred by you or any third parties arising from the use of any Renesas Electronics product that is inconsistent with any Renesas Electronics data sheet, user's manual or other Renesas Electronics document.
6. When using Renesas Electronics products, refer to the latest product information (data sheets, user's manuals, application notes, "General Notes for Handling and Using Semiconductor Devices" in the reliability handbook, etc.), and ensure that usage conditions are within the ranges specified by Renesas Electronics with respect to maximum ratings, operating power supply voltage range, heat dissipation characteristics, installation, etc. Renesas Electronics disclaims any and all liability for any malfunctions, failure or accident arising out of the use of Renesas Electronics products outside of such specified ranges.
7. Although Renesas Electronics endeavors to improve the quality and reliability of Renesas Electronics products, semiconductor products have specific characteristics, such as the occurrence of failure at a certain rate and malfunctions under certain use conditions. Unless designated as a high reliability product or a product for harsh environments in a Renesas Electronics data sheet or other Renesas Electronics document, Renesas Electronics products are not subject to radiation resistance design. You are responsible for implementing safety measures to guard against the possibility of bodily injury, injury or damage caused by fire, and/or danger to the public in the event of a failure or malfunction of Renesas Electronics products, such as safety design for hardware and software, including but not limited to redundancy, fire control and malfunction prevention, appropriate treatment for aging degradation or any other appropriate measures. Because the evaluation of microcomputer software alone is very difficult and impractical, you are responsible for evaluating the safety of the final products or systems manufactured by you.
8. Please contact a Renesas Electronics sales office for details as to environmental matters such as the environmental compatibility of each Renesas Electronics product. You are responsible for carefully and sufficiently investigating applicable laws and regulations that regulate the inclusion or use of controlled substances, including without limitation, the EU RoHS Directive, and using Renesas Electronics products in compliance with all these applicable laws and regulations. Renesas Electronics disclaims any and all liability for damages or losses occurring as a result of your noncompliance with applicable laws and regulations.
9. Renesas Electronics products and technologies shall not be used for or incorporated into any products or systems whose manufacture, use, or sale is prohibited under any applicable domestic or foreign laws or regulations. You shall comply with any applicable export control laws and regulations promulgated and administered by the governments of any countries asserting jurisdiction over the parties or transactions.
10. It is the responsibility of the buyer or distributor of Renesas Electronics products, or any other party who distributes, disposes of, or otherwise sells or transfers the product to a third party, to notify such third party in advance of the contents and conditions set forth in this document.
11. This document shall not be reprinted, reproduced or duplicated in any form, in whole or in part, without prior written consent of Renesas Electronics.
12. Please contact a Renesas Electronics sales office if you have any questions regarding the information contained in this document or Renesas Electronics products.
(Note 1) "Renesas Electronics" as used in this document means Renesas Electronics Corporation and also includes its directly or indirectly controlled subsidiaries.
(Note 2) "Renesas Electronics product(s)" means any product developed or manufactured by or for Renesas Electronics.

(Rev.4.0-1 November 2017)



SALES OFFICES

Renesas Electronics Corporation

<http://www.renesas.com>

Refer to "<http://www.renesas.com/>" for the latest and detailed information.

Renesas Electronics America Inc.
1001 Murphy Ranch Road, Milpitas, CA 95035, U.S.A.
Tel: +1-408-432-8888, Fax: +1-408-434-5351

Renesas Electronics Canada Limited
9251 Yonge Street, Suite 8309 Richmond Hill, Ontario Canada L4C 9T3
Tel: +1-905-237-2004

Renesas Electronics Europe Limited
Dukes Meadow, Millboard Road, Bourne End, Buckinghamshire, SL8 5FH, U.K
Tel: +44-1628-651-700, Fax: +44-1628-651-804

Renesas Electronics Europe GmbH
Arcadiastrasse 10, 40472 Düsseldorf, Germany
Tel: +49-211-6503-0, Fax: +49-211-6503-1327

Renesas Electronics (China) Co., Ltd.
Room 1709 Quantum Plaza, No.27 ZhichunLu, Haidian District, Beijing, 100191 P. R. China
Tel: +86-10-8235-1155, Fax: +86-10-8235-7679

Renesas Electronics (Shanghai) Co., Ltd.
Unit 301, Tower A, Central Towers, 555 Langao Road, Putuo District, Shanghai, 200333 P. R. China
Tel: +86-21-2226-0888, Fax: +86-21-2226-0999

Renesas Electronics Hong Kong Limited
Unit 1601-1611, 16/F., Tower 2, Grand Century Place, 193 Prince Edward Road West, Mongkok, Kowloon, Hong Kong
Tel: +852-2265-6688, Fax: +852-2886-9022

Renesas Electronics Taiwan Co., Ltd.
13F, No. 363, Fu Shing North Road, Taipei 10543, Taiwan
Tel: +886-2-8175-9600, Fax: +886-2-8175-9670

Renesas Electronics Singapore Pte. Ltd.
80 Bendemeer Road, Unit #06-02 Hyflux Innovation Centre, Singapore 339949
Tel: +65-6213-0200, Fax: +65-6213-0300

Renesas Electronics Malaysia Sdn.Bhd.
Unit 1207, Block B, Menara Amcorp, Amcorp Trade Centre, No. 18, Jln Persiaran Barat, 46050 Petaling Jaya, Selangor Darul Ehsan, Malaysia
Tel: +60-3-7955-9390, Fax: +60-3-7955-9510

Renesas Electronics India Pvt. Ltd.
No.777C, 100 Feet Road, HAL 2nd Stage, Indiranagar, Bangalore 560 038, India
Tel: +91-80-67208700, Fax: +91-80-67208777

Renesas Electronics Korea Co., Ltd.
17F, KAMCO Yangjae Tower, 262, Gangnam-daero, Gangnam-gu, Seoul, 06265 Korea
Tel: +82-2-558-3737, Fax: +82-2-558-5338