

DC/DC Modules

Splitting an LVDS Signal to Drive Two Receivers from a Single Transmitter

AN1787

Rev 0.00

September 20, 2012



FIGURE 1. DUAL LCD SCREEN DRIVEN BY A COMMON VIDEO SIGNAL

Overview

There are applications where a single data source needs to send LVDS data to two destinations. An example of this is a single video source sending data to two LCD panels as might be found in an automotive rear seat entertainment system. Traditionally SERDES links are point to point, a single transmitter sending serial data across a cable or circuit board to a single receiver. If a system requires that the same data be sent to two destinations, two complete links (4 x SERDES chips and 2 cables) would be required. An example of this is shown in Figure 1. The displays are shown close together for the convenience of the picture but then could be a meter or more apart in an end application.

Objective

Propose a technique that allows a system designer to split an LVDS cable so that a single ISL76341 or ISL76321 transmitter can drive two receivers. This eliminates one SERDES chip from the BOM and shortens the total cable length in the system.

Maintaining a 100Ω differential impedance environment throughout the entire data path is essential to eliminate reflections and maintain the common mode voltage.

Since this is a cost reduction standard circuit board, design techniques must be utilized.

Splitter Design

To accomplish the objectives a single board needs to be added to the system to split the LVDS signal into two identical signals. While some signal loss is expected we want to keep it to a minimum. Signal integrity must be maintained so there is no increase in EMI. The splitter board schematic is shown in Figure 2.

Each transmitter and receiver has an impedance of 100Ω. Analyzing the upper branch we start with that 100Ω. When we add R3 and R4 the impedance of that branch is 133Ω. The two receiver branches in parallel have an impedance of 66.5Ω. Last we add the 33Ω from the two series resistors from the transmit branch, R1 and R2 for a total of 99.5Ω as seen from the transmitter output. The analysis is the same for each of the branches so each SERDES chip see a 100Ω load. The six 16.5Ω resistors are standard 1% SMT values. These resistors pass very little current so any size SMT resistors can be used.

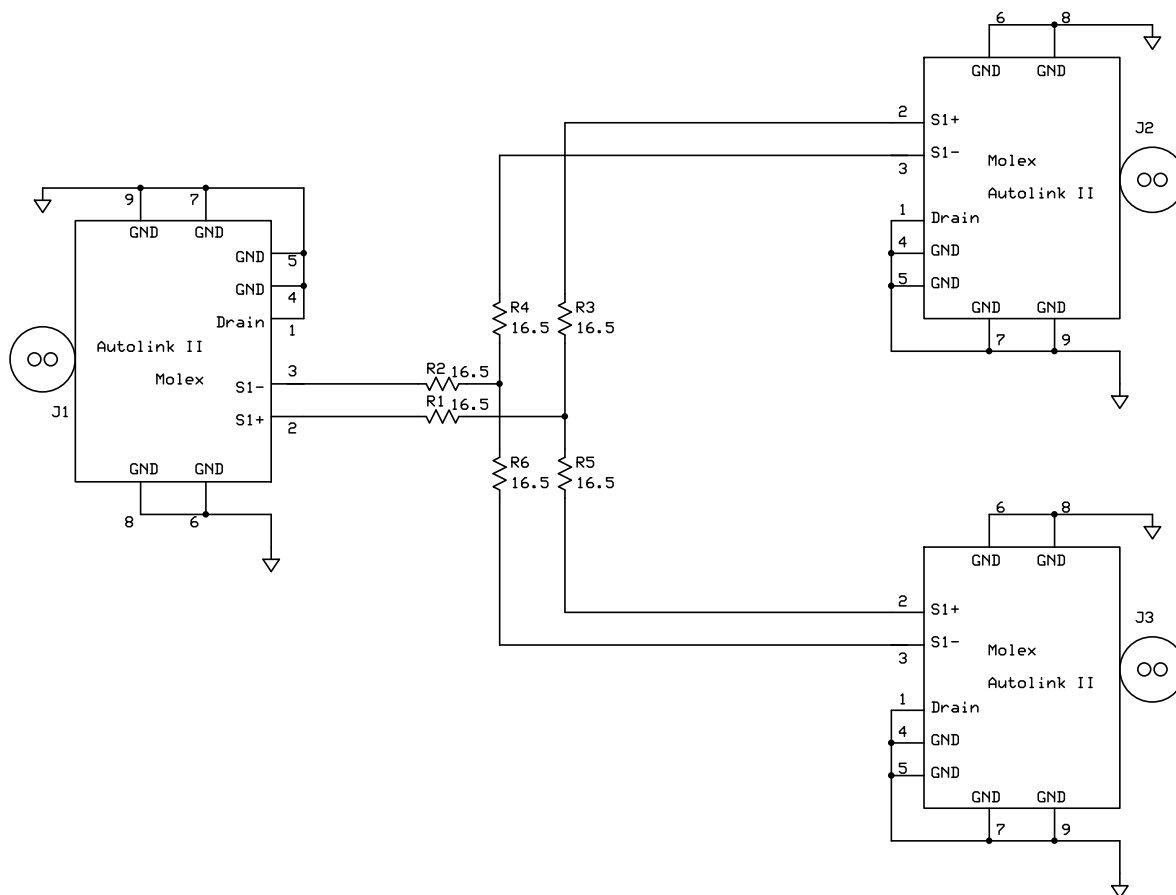


FIGURE 2. LVDS SPLITTER SCHEMATIC

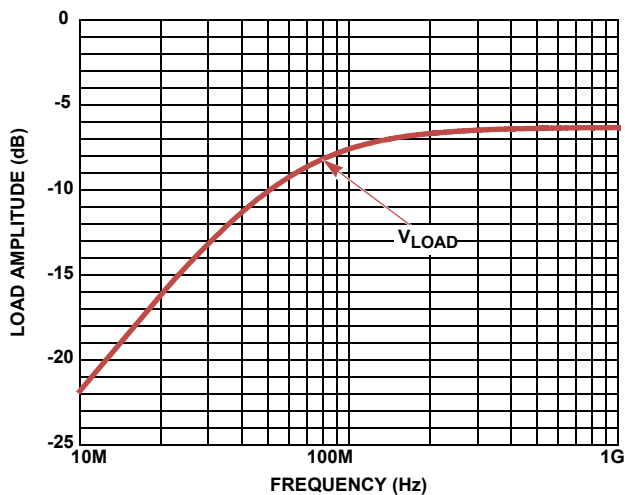


FIGURE 3. RECEIVER AMPLITUDE NORMALIZED TO THE TRANSMITTER

Figure 3 shows the simulated amplitude at the receiver termination resistor. As expected roughly half of the transmitted is available at each load. The roll off at lower frequencies is due to DC blocking capacitors on the transmitter board, which are required. See the appropriate SERDES datasheet for additional details.

Circuit Board Design

The splitter can be implemented in a 2- or 4-layer board design. The critical piece is maintaining a 50Ω single-ended and 100Ω differential transmission line environment. What makes this somewhat challenging is the fact that at least one pair will need to go from the top layer to the bottom layer of the board since the signals need to cross. With a 4-layer board it is easier to maintain impedance control by using both internal layers as reference planes (GND) and the top and bottom layers for signals. The required vias in the signal path will add only a small amount of inductance and a small negligible change in the characteristic impedance.

Two Layer Board Design

There is no reason that the splitter cannot be implemented on a 2-layer board but impedance control is more difficult. One issue with a two layer board is maintaining a controlled impedance when the signal trace goes from the top of the board to the bottom. Changing the signal layer requires changing the reference plane in the opposite direction. Ground vias need to be added and placed as close to the signal vias as possible. This allows any return current to flow under the signal trace. An example is shown in Figure 4. Only 3 vias are used in this design but there is no problem using more. A string of vias every 2mm to 3mm on each side of the differential traces is a good solution.

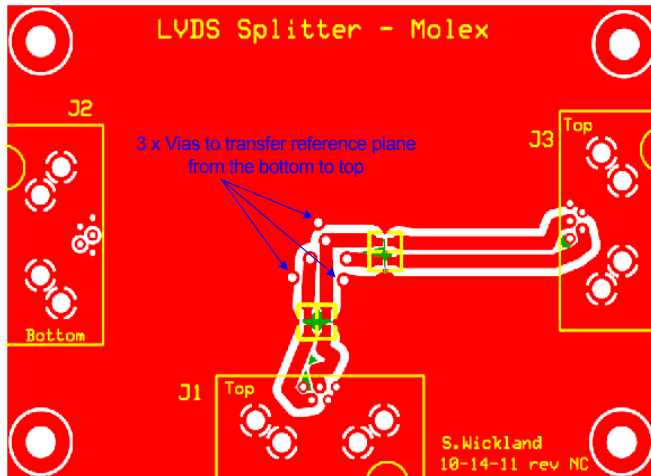


FIGURE 4. LVDS SPLITTER BOARD USING MOLEX AUTOLINKII CONNECTOR

Another issue with a 2-layer board is the distance from the signal trace to the reference plane. The board shown in Figure 4 is drawn with common layout rules for a 2-layer board. It is 62mils thick, which forces the signal traces to be 50mils wide with only 10mils separation from the differential partner. This spacing gets close to the design rule limits of some low cost PCB manufacturers.

Display Performance

The quality of the received video with a split signal depends on the signal frequency, the cable length and its quality. The longer the cable or the lower the quality of the cable, the smaller the amplitude of the signal that reaches the receiver. With a good splitter design, only half of the transmitted signal reaches the receiver. This means the maximum cable length of a split signal will be between 60% and 75% of a single display cable of the same length.

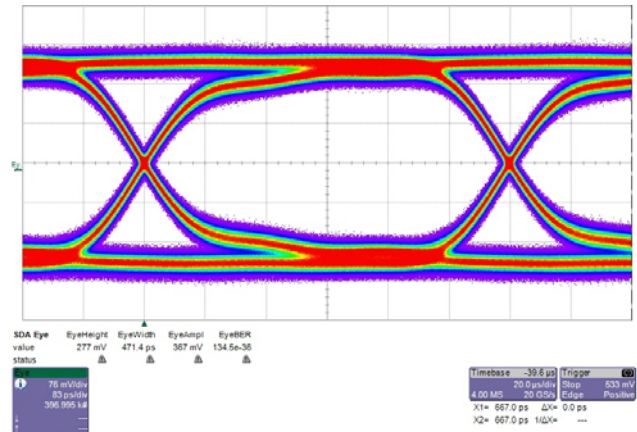


FIGURE 5. SPLITTER EYE WITH A PRBS²³ PATTERN CONNECTOR

Figure 5 shows the eye of the 2-layer board shown in Figure 4 with a 1GHz PRBS²³ pattern. The eye height is 277mV with the BERT output set to 600mV.

The Intersil SERDES is broadly adjustable with current drive, pre-emphasis and equalization. This gives the user maximum flexibility in compensating for cable and board losses, helping to facilitate this splitter scheme. With these adjustments, cable lengths greater than 10 meters are possible. The register details that enable programming these adjustments are available in the Technical Brief.

Related Documents

ISL3434X/32X Technical Brief

[ISL34321](#) 16-Bit Long-Reach Video SERDES with Bidirectional Side-Channel

[ISL34341](#) WSVGA 24-Bit Long-Reach Video SERDES with Bidirectional Side-Channel

[ISL76321](#) 16-Bit Long-Reach Video Automotive Grade SERDES with Bidirectional Side-Channel

[ISL76322](#) 16-Bit Long-Reach Video Automotive Grade SERDES

[ISL76341](#) 24-Bit Long-Reach Video Automotive Grade SERDES with Bidirectional Side-Channel

Notice

1. Descriptions of circuits, software and other related information in this document are provided only to illustrate the operation of semiconductor products and application examples. You are fully responsible for the incorporation or any other use of the circuits, software, and information in the design of your product or system. Renesas Electronics disclaims any and all liability for any losses and damages incurred by you or third parties arising from the use of these circuits, software, or information.
2. Renesas Electronics hereby expressly disclaims any warranties against and liability for infringement or any other claims involving patents, copyrights, or other intellectual property rights of third parties, by or arising from the use of Renesas Electronics products or technical information described in this document, including but not limited to, the product data, drawings, charts, programs, algorithms, and application examples.
3. No license, express, implied or otherwise, is granted hereby under any patents, copyrights or other intellectual property rights of Renesas Electronics or others.
4. You shall not alter, modify, copy, or reverse engineer any Renesas Electronics product, whether in whole or in part. Renesas Electronics disclaims any and all liability for any losses or damages incurred by you or third parties arising from such alteration, modification, copying or reverse engineering.
5. Renesas Electronics products are classified according to the following two quality grades: "Standard" and "High Quality". The intended applications for each Renesas Electronics product depends on the product's quality grade, as indicated below.
"Standard": Computers; office equipment; communications equipment; test and measurement equipment; audio and visual equipment; home electronic appliances; machine tools; personal electronic equipment; industrial robots; etc.
"High Quality": Transportation equipment (automobiles, trains, ships, etc.); traffic control (traffic lights); large-scale communication equipment; key financial terminal systems; safety control equipment; etc.
Unless expressly designated as a high reliability product or a product for harsh environments in a Renesas Electronics data sheet or other Renesas Electronics document, Renesas Electronics products are not intended or authorized for use in products or systems that may pose a direct threat to human life or bodily injury (artificial life support devices or systems; surgical implantations; etc.), or may cause serious property damage (space system; undersea repeaters; nuclear power control systems; aircraft control systems; key plant systems; military equipment; etc.). Renesas Electronics disclaims any and all liability for any damages or losses incurred by you or any third parties arising from the use of any Renesas Electronics product that is inconsistent with any Renesas Electronics data sheet, user's manual or other Renesas Electronics document.
6. When using Renesas Electronics products, refer to the latest product information (data sheets, user's manuals, application notes, "General Notes for Handling and Using Semiconductor Devices" in the reliability handbook, etc.), and ensure that usage conditions are within the ranges specified by Renesas Electronics with respect to maximum ratings, operating power supply voltage range, heat dissipation characteristics, installation, etc. Renesas Electronics disclaims any and all liability for any malfunctions, failure or accident arising out of the use of Renesas Electronics products outside of such specified ranges.
7. Although Renesas Electronics endeavors to improve the quality and reliability of Renesas Electronics products, semiconductor products have specific characteristics, such as the occurrence of failure at a certain rate and malfunctions under certain use conditions. Unless designated as a high reliability product or a product for harsh environments in a Renesas Electronics data sheet or other Renesas Electronics document, Renesas Electronics products are not subject to radiation resistance design. You are responsible for implementing safety measures to guard against the possibility of bodily injury, injury or damage caused by fire, and/or danger to the public in the event of a failure or malfunction of Renesas Electronics products, such as safety design for hardware and software, including but not limited to redundancy, fire control and malfunction prevention, appropriate treatment for aging degradation or any other appropriate measures. Because the evaluation of microcomputer software alone is very difficult and impractical, you are responsible for evaluating the safety of the final products or systems manufactured by you.
8. Please contact a Renesas Electronics sales office for details as to environmental matters such as the environmental compatibility of each Renesas Electronics product. You are responsible for carefully and sufficiently investigating applicable laws and regulations that regulate the inclusion or use of controlled substances, including without limitation, the EU RoHS Directive, and using Renesas Electronics products in compliance with all these applicable laws and regulations. Renesas Electronics disclaims any and all liability for damages or losses occurring as a result of your noncompliance with applicable laws and regulations.
9. Renesas Electronics products and technologies shall not be used for or incorporated into any products or systems whose manufacture, use, or sale is prohibited under any applicable domestic or foreign laws or regulations. You shall comply with any applicable export control laws and regulations promulgated and administered by the governments of any countries asserting jurisdiction over the parties or transactions.
10. It is the responsibility of the buyer or distributor of Renesas Electronics products, or any other party who distributes, disposes of, or otherwise sells or transfers the product to a third party, to notify such third party in advance of the contents and conditions set forth in this document.
11. This document shall not be reprinted, reproduced or duplicated in any form, in whole or in part, without prior written consent of Renesas Electronics.
12. Please contact a Renesas Electronics sales office if you have any questions regarding the information contained in this document or Renesas Electronics products.
(Note 1) "Renesas Electronics" as used in this document means Renesas Electronics Corporation and also includes its directly or indirectly controlled subsidiaries.
(Note 2) "Renesas Electronics product(s)" means any product developed or manufactured by or for Renesas Electronics.

(Rev.4.0-1 November 2017)



SALES OFFICES

Renesas Electronics Corporation

<http://www.renesas.com>

Refer to "<http://www.renesas.com/>" for the latest and detailed information.

Renesas Electronics America Inc.
1001 Murphy Ranch Road, Milpitas, CA 95035, U.S.A.
Tel: +1-408-432-8888, Fax: +1-408-434-5351

Renesas Electronics Canada Limited
9251 Yonge Street, Suite 8309 Richmond Hill, Ontario Canada L4C 9T3
Tel: +1-905-237-2004

Renesas Electronics Europe Limited
Dukes Meadow, Millboard Road, Bourne End, Buckinghamshire, SL8 5FH, U.K.
Tel: +44-1628-651-700, Fax: +44-1628-651-804

Renesas Electronics Europe GmbH
Arcadiastrasse 10, 40472 Düsseldorf, Germany
Tel: +49-211-6503-0, Fax: +49-211-6503-1327

Renesas Electronics (China) Co., Ltd.
Room 1709 Quantum Plaza, No.27 ZhichunLu, Haidian District, Beijing, 100191 P. R. China
Tel: +86-10-8235-1155, Fax: +86-10-8235-7679

Renesas Electronics (Shanghai) Co., Ltd.
Unit 301, Tower A, Central Towers, 555 Langao Road, Putuo District, Shanghai, 200333 P. R. China
Tel: +86-21-2226-0888, Fax: +86-21-2226-0999

Renesas Electronics Hong Kong Limited
Unit 1601-1611, 16/F., Tower 2, Grand Century Place, 193 Prince Edward Road West, Mongkok, Kowloon, Hong Kong
Tel: +852-2265-6688, Fax: +852-2886-9022

Renesas Electronics Taiwan Co., Ltd.
13F, No. 363, Fu Shing North Road, Taipei 10543, Taiwan
Tel: +886-2-8175-9600, Fax: +886-2-8175-9670

Renesas Electronics Singapore Pte. Ltd.
80 Bendemeer Road, Unit #06-02 Hyflux Innovation Centre, Singapore 339949
Tel: +65-6213-0200, Fax: +65-6213-0300

Renesas Electronics Malaysia Sdn.Bhd.
Unit 1207, Block B, Menara Amcorp, Amcorp Trade Centre, No. 18, Jln Persiaran Barat, 46050 Petaling Jaya, Selangor Darul Ehsan, Malaysia
Tel: +60-3-7955-9390, Fax: +60-3-7955-9510

Renesas Electronics India Pvt. Ltd.
No.777C, 100 Feet Road, HAL 2nd Stage, Indiranagar, Bangalore 560 038, India
Tel: +91-80-67208700, Fax: +91-80-67208777

Renesas Electronics Korea Co., Ltd.
17F, KAMCO Yangjae Tower, 262, Gangnam-daero, Gangnam-gu, Seoul, 06265 Korea
Tel: +82-2-558-3737, Fax: +82-2-558-5338