

**Abstract**

This application note compares the basic performance features of Voltage Feedback (VFB) and Current Feedback (CFB) operational amplifiers (op amps), and is intended for engineers unfamiliar with CFB amplifiers. Readers familiar with the subject can go straight to [Table 1 on page 9](#), which summarizes the key features discussed in this application note.

**Contents**

**1. Introduction . . . . . 2**

**2. Voltage Feedback versus Current Feedback Amplifier . . . . . 2**

**3. Internal Design Structures . . . . . 2**

    3.1 Voltage Feedback Amplifier . . . . . 3

    3.2 Current Feedback Amplifier . . . . . 4

**4. Ideal Op-Amp Models . . . . . 6**

    4.1 Transfer Function of the VFB Model . . . . . 6

    4.2 Transfer Function of the CFB Model . . . . . 6

**5. The Importance of Loop-Gain . . . . . 7**

    5.1 VFB Loop-Gain . . . . . 7

    5.2 CFB Loop-Gain . . . . . 8

**6. Summary . . . . . 10**

**7. Revision History . . . . . 10**

**List of Figures**

Figure 1. VFB Amplifier with Feedback Network in Voltage-Source Mode . . . . . 2

Figure 2. CFB Amplifier with Feedback Network in Current-Source Mode . . . . . 2

Figure 3. Simplified Schematic of a Voltage Feedback (VFB) Amplifier . . . . . 3

Figure 4. Frequency Dependent Model and Open-Loop Gain Characteristic of a VFB Amplifier . . . . . 4

Figure 5. Simplified Schematic of a Current Feedback (CFB) Amplifier . . . . . 4

Figure 6. Frequency Dependent Model and Open-Loop Gain Characteristic of a CFB Amplifier . . . . . 5

Figure 7. Ideal VFB Amplifier Model . . . . . 6

Figure 8. Ideal CFB Amplifier Model . . . . . 6

Figure 9. Gain – Bandwidth Dependence of VFB Amplifier . . . . . 7

Figure 10. Gain Peak due to Parasitic Input Capacitance . . . . . 7

Figure 11. Transimpedance – Bandwidth Dependence of CFB Amplifier . . . . . 8

Figure 12. Gain – Bandwidth Dependence of Ideal CFB Amplifier . . . . . 8

Figure 13. Alteration of  $\beta$  due to  $R_B \neq 0\Omega$  . . . . . 8

Figure 14. Gain-Bandwidth Dependence of Real CFB Amplifier . . . . . 8

Figure 15. Changing  $R_F$  Impacts Bandwidth and Stability . . . . . 9

## 1. Introduction

Current Feedback (CFB) operational amplifiers have been around for more than 30 years. They were designed for extreme high-speed performance, which Voltage Feedback (VFB) amplifiers could not accomplish at that time. The VFB amplifiers have caught up and sometimes with strikingly better performance than the CFB counterparts. However, CFB amplifiers have one major advantage over VFBs, they maintain their bandwidth over a wide range of signal gain. VFB amplifiers are gain-bandwidth dependent, meaning their bandwidth decreases with increasing signal gain. CFB amplifiers are commonly used in high-speed applications while VFB amplifiers are preferably used in precision applications.

## 2. Voltage Feedback versus Current Feedback Amplifier

From a superficial look at an amplifier circuit, the user cannot tell whether the circuit uses a VFB or CFB op-amp. Both types have inverting and non-inverting signal inputs, a signal output, two supply pins for positive and negative voltage supplies, and use feedback and gain resistors ( $R_F$  and  $R_G$ ) to stabilize circuit operation and to set the overall circuit gain. The difference between a VFB and a CFB amplifier is in the internal design structure.

A VFB amplifier has two symmetrical, high-impedance inputs. The fact that the negative input is high-impedance makes the feedback network, driven by the output voltage  $V_O$ , operate in Voltage-Source mode. Here the series source impedance of this voltage source is the parallel circuit of  $R_F$  and  $R_G$ . The output of this voltage source is connected to the inverting input, providing the voltage potential,  $v_n$ , at this pin. The voltage potential at the non-inverting input,  $v_p$ , is identical to the signal input voltage  $V_I$ . Thus, the difference between the two input potentials is an **error voltage**,  $v_e$ , that is amplified to generate  $V_O$  (Figure 1).

Unlike the VFB amplifier, the CFB amplifier has asymmetric inputs. Internally the non-inverting input connects using a unity-gain buffer to the inverting input. Thus, the non-inverting input exhibits the high impedance of the buffer input, while the inverting input presents the low impedance of the buffer output to the feedback network. This low input impedance makes the feedback network operate in Current-Source mode. The parallel source impedance of this current source again is the parallel circuit of  $R_F$  and  $R_G$ . During normal operation, the input voltage  $V_I$  drives a current,  $i_p$ , into the non-inverting input, and the output of the feedback current source drives a current,  $i_n$ , into the inverting input. The difference between the two input currents is the **error current**,  $i_e$ . This error current is driven into an internal high-impedance stage, which results in the output voltage,  $V_O$  (Figure 2).

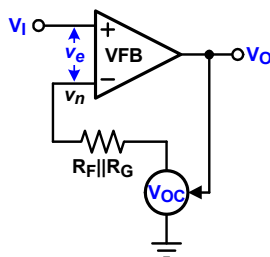


Figure 1. VFB Amplifier with Feedback Network in Voltage-Source Mode

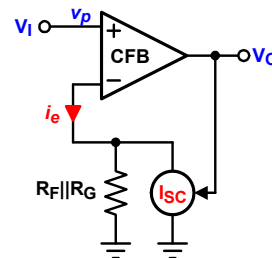


Figure 2. CFB Amplifier with Feedback Network in Current-Source Mode

To summarize, the major difference between a VFB and a CFB amplifier is the type of input error signal generating the output voltage. A VFB op-amp uses an error voltage while a CFB op-amp uses an error current.

## 3. Internal Design Structures

To fully understand the differences between the two amplifier types with regards to performance and application, a brief evaluation of their internal design structures is necessary. From these structures, simplified op-amp models that allow the user to analyze an amplifier circuit with regards to its transfer function and operation stability are defined.

### 3.1 Voltage Feedback Amplifier

Figure 3 shows the simplified schematic of a voltage feedback amplifier, consisting of a differential input amplifier, a high-impedance stage, and an output buffer.

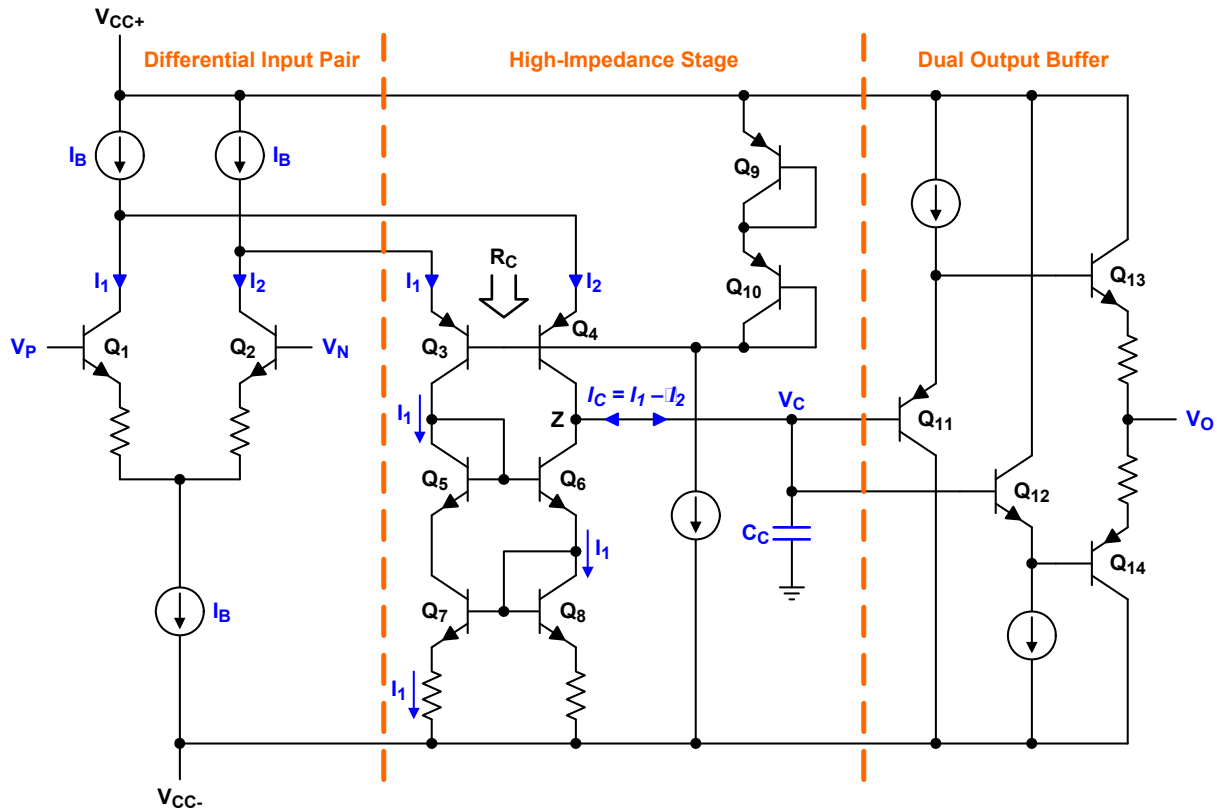


Figure 3. Simplified Schematic of a Voltage Feedback (VFB) Amplifier

#### 3.1.1 VFB Amplifier Stages

##### 3.1.1.1 Differential Input Pair

Transistors  $Q_1$  and  $Q_2$  form a differential input amplifier that uses three equal current sources ( $I_B$ ) to bias the input circuit for normal operation, so that  $I_B = I_1 + I_2$ .

- When  $V_P = V_N$ ,  $I_1 = I_2$ , and the collector currents of  $Q_1$ ,  $Q_2$ ,  $Q_3$ , and  $Q_4$  are equal.
- When  $V_P > V_N$ ,  $Q_1$  turns on harder and  $I_1$  increases.  $I_2$  decreases because the bottom current source ensures that  $I_B = I_1 + I_2$ .
- When  $V_P < V_N$ ,  $Q_2$  turns on harder and  $I_2$  increases. Again, the bottom current source, ensuring that  $I_B = I_1 + I_2$ , forces  $I_1$  to decrease.

Thus, the differential voltage between the  $V_P$  and  $V_N$  inputs causes differential currents to flow through  $Q_3$  and  $Q_4$ . This voltage-to-current conversion of the differential input stage is modeled by a transconductance amplifier,  $g_m$ , in Figure 4.

##### 3.1.1.2 High-Impedance Stage

The current,  $I_2$ , develops voltage,  $V_C$ , at the high impedance node formed by the current mirror structure,  $Q_3$ – $Q_4$  and  $Q_5$ – $Q_6$ , and capacitor  $C_C$ . The high-impedance stage is modeled by the parallel impedance,  $Z_C = R_C \parallel C_C$ , with  $R_C$  being the equivalent DC resistance to ground, and  $C_C$  the parallel combination of two compensation capacitors; one connected to the positive, the other one to the negative supply.

### 3.1.1.3 Output Buffer

Q<sub>11</sub> through Q<sub>14</sub> form a double buffer operating in class AB mode at unity gain. Thus, the capacitor voltage, V<sub>C</sub>, is buffered to the output voltage, V<sub>O</sub>. This buffer is modeled by a unity-gain stage.

### 3.1.2 VFB Frequency Dependent Model

Figure 4 shows the frequency-dependent model of the VFB op-amp and its gain-frequency characteristic. Here the product of g<sub>m</sub>·R<sub>C</sub> is the DC open-loop gain, A<sub>0</sub>, commonly specified in datasheets, and f<sub>d</sub> is the dominant pole frequency. This is the frequency where the reactance of C<sub>C</sub> equals the value of R<sub>C</sub>, and the open-loop gain, A(f), starts rolling off at 20dB/decade.

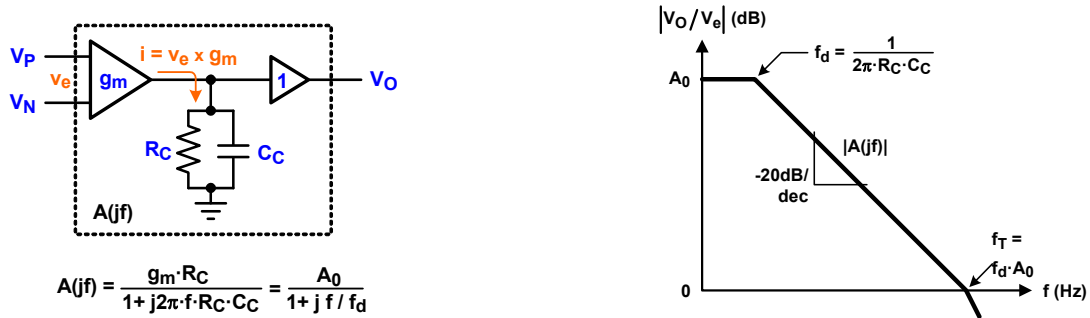


Figure 4. Frequency Dependent Model and Open-Loop Gain Characteristic of a VFB Amplifier

## 3.2 Current Feedback Amplifier

Figure 5 shows the simplified schematic of a current feedback amplifier, consisting of a Class AB input amplifier, a current mirror, a high-impedance stage, and an output buffer.

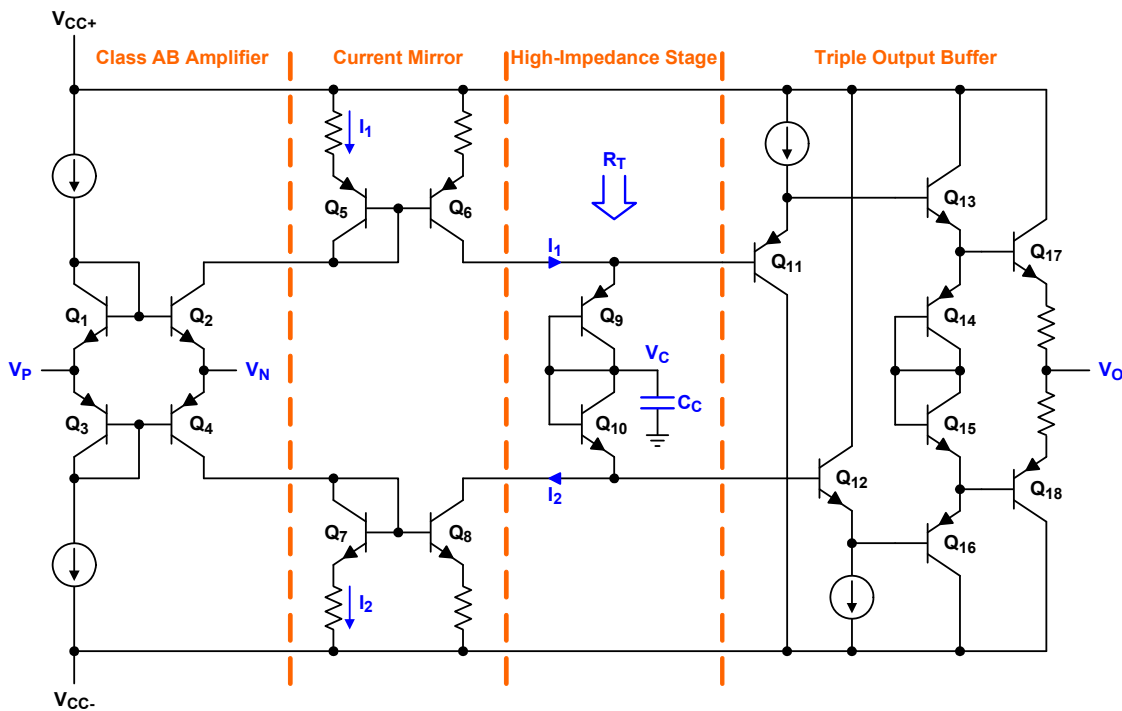


Figure 5. Simplified Schematic of a Current Feedback (CFB) Amplifier

### 3.2.1 CFB Amplifier Stages

#### 3.2.1.1 Class AB Amplifier Input

The diode-connected pairs Q1-Q2 and Q3-Q4 comprise a unity-gain class AB amplifier that buffers the input signal  $v_p$  and makes it available at input  $v_n$ . This stage is modeled by a unity-gain buffer in [Figure 6](#).

#### 3.2.1.2 Current Mirror

The collector current of Q2 is drawn through diode-connected Q5. Q5 and Q6 form a current mirror so that the collector current of Q6 equals the collector current of Q2. The same is true for the bottom side so that Q4's current is mirrored by Q8. This is modeled as a current source equal to the input error current,  $i_e$ , driving the high impedance stage.

#### 3.2.1.3 High-Impedance Stage

Either current,  $I_1$  or  $I_2$ , develops the voltage,  $V_C$ , at the high impedance node formed by the diode-connected Q9-Q10 and  $C_C$ . The high-impedance stage is modeled by the parallel impedance,  $Z_T = R_T \parallel C_C$ , with  $R_T$  being the equivalent DC resistance to ground, and  $C_C$  the parallel combination of two compensation capacitors; one connected to the positive, the other one to the negative supply.

#### 3.2.1.4 Output Buffer

Q11 through Q18 form a triple buffer operating in class AB mode at unity gain. The voltage,  $V_C$ , is buffered to the output voltage,  $V_O$ . This output buffer is modeled by a unity-gain buffer.

### 3.2.2 CFB Frequency Dependent Model

[Figure 6](#) shows the resulting frequency-dependent model of a current feedback amplifier and its corresponding open-loop transimpedance characteristic. Here  $R_T$  is the DC transimpedance, and  $f_d$  is the dominant pole frequency. This is the frequency where the reactance of  $C_C$  equals the value of  $R_T$ , and  $Z_T(f)$  starts rolling off at 20dB/decade.

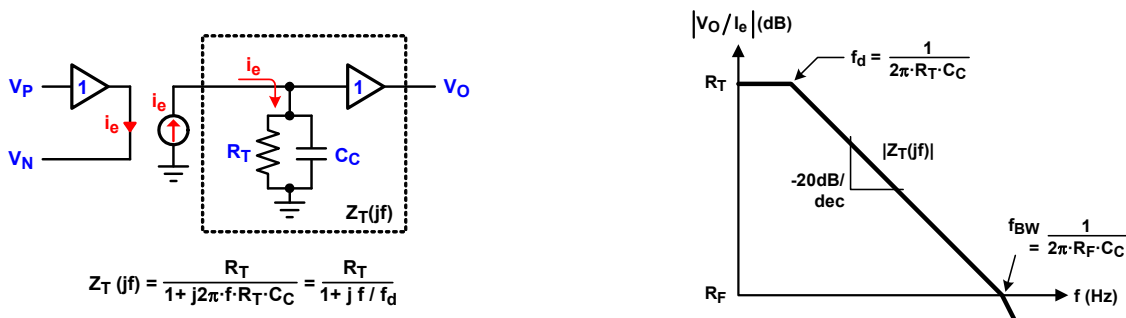


Figure 6. Frequency Dependent Model and Open-Loop Gain Characteristic of a CFB Amplifier

A comparison between the frequency dependent models shows both amplifiers use error currents to drive high-impedance stages that generate the output voltage. In the VFB op-amp this current is derived through a transconductance stage whose biasing current sources limit the charge and discharge current into the high-impedance node. This, of course, limits the switching speed, thus reducing amplifier bandwidth and slew rate. The CFB op-amp does not possess such limits and draws its charge/discharge currents directly from the supply rails. This current-at-demand provision shortens switching times significantly, thus allowing for high slew rates and wide bandwidth – the main intent of CFB op-amps.

## 4. Ideal Op-Amp Models

Ideal op-amp models help determine a circuit's transfer function and stability during circuit analysis. The most commonly applied models for VFB and CFB op-amps are shown in [Figures 7](#) and [8](#).

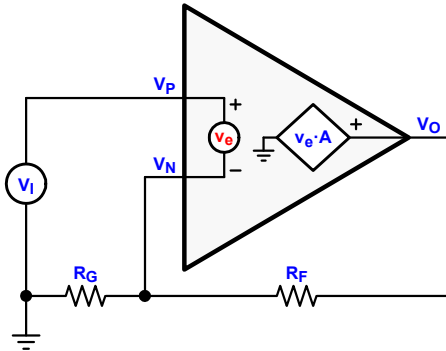


Figure 7. Ideal VFB Amplifier Model

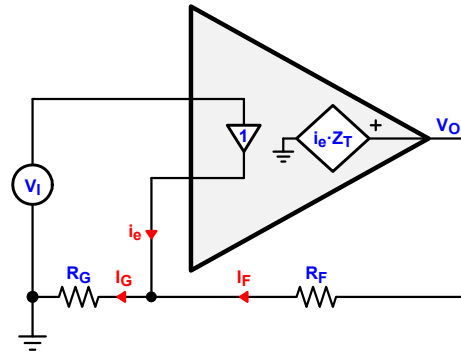


Figure 8. Ideal CFB Amplifier Model

### 4.1 Transfer Function of the VFB Model

To establish the transfer function,  $V_O/V_I$ , for the VFB amplifier, we write the output voltage, as given by the model, with:  $V_O = A \cdot v_e = A \cdot (v_p - v_n)$  and substitute the generic terms  $v_p$  and  $v_n$  with  $v_p = V_I$  and

$v_n = V_O \cdot R_G / (R_G + R_F)$  so that  $V_O = A \cdot V_I - A \cdot V_O \cdot R_G / (R_G + R_F)$ . After collecting terms and solving for  $V_O/V_I$ , the transfer function is:

$$(EQ. 1) \quad \frac{V_O}{V_I} = \left(1 + \frac{R_F}{R_G}\right) \cdot \frac{1}{1 + \frac{1}{A} \cdot \left(1 + \frac{R_F}{R_G}\right)}$$

Here  $1 + R_F/R_G$  is the ideal closed-loop gain,  $A_{CLi}$ , of the non-inverting amplifier and the product  $1/A \cdot (1 + R_F/R_G)$  is the reciprocal of the loop-gain,  $T$ . To be able to compare the transfer functions between the two amplifier types, [Equation 1](#) is converted into the generic form:

$$(EQ. 2) \quad \frac{V_O}{V_I} = A_{CLi} \cdot \frac{1}{1 + 1/T} \quad \text{with} \quad A_{CLi} = \left(1 + \frac{R_F}{R_G}\right) \quad \text{and} \quad T = \frac{A}{A_{CLi}}$$

### 4.2 Transfer Function of the CFB Model

The CFB model shows the output voltage as the product of the transimpedance and the input error current  $V_O = Z_T \cdot i_e$ .

To find the transfer function, we define the currents in the negative input node with  $i_e = I_G - I_F$  and substitute each current through its voltage/resistor ratio  $V_O/Z_T = V_I/R_G - (V_O - V_I)/R_F$ . After collecting terms and solving for  $V_O/V_I$ , the transfer function is:

$$(EQ. 3) \quad \frac{V_O}{V_I} = \left(1 + \frac{R_F}{R_G}\right) \cdot \frac{1}{1 + \frac{R_F}{Z_T}}$$

or

$$(EQ. 4) \quad \frac{V_O}{V_I} = A_{CLi} \cdot \frac{1}{1 + 1/T} \quad \text{with} \quad A_{CLi} = \left(1 + \frac{R_F}{R_G}\right) \quad \text{and} \quad T = \frac{Z_T}{R_F}$$

Comparing [Equation 4](#) with [Equation 2](#) shows the ideal closed-loop gain to be the same for both amplifier types. Their loop-gains however, differ.

## 5. The Importance of Loop-Gain

The loop-gain is the most important parameter to observe during amplifier design, because it determines the amplifier’s bandwidth and also its stability, or tendency towards self-sustaining oscillation. By definition the loop-gain,  $T$ , is the product of the op-amp’s open-loop gain times the circuit’s feedback factor.

$$(EQ. 5) \quad T = A_{OL} \cdot \beta$$

### 5.1 VFB Loop-Gain

For the VFB amplifier  $\beta = 1/A_{CLi}$  making the loop-gain  $T_{VFB} = A/A_{CLi}$ . On the logarithmic scale of a Bode plot, this ratio appears as the difference between the magnitude functions of  $A$  and  $A_{CLi}$  due to  $T_{VFB} = 20(\log A - \log A_{CLi})$  (see Figure 9). At the intercept of  $A_{CLi}$  and  $A$ ,  $|A| = |A_{CLi}|$  and  $|T| = 1$ . The frequency at this point is the signal bandwidth,  $f_{BW}$ , of the amplifier circuit. At frequencies above  $f_{BW}$ , the loop-gain drops below 1 due to the  $|A|$  roll off, and the op-amp cannot support further amplification. Thus, the closed-loop gain,  $A_{CL}$ , deviates from its ideal value ( $A_{CLi}$ ) and follows  $A_{OL}$ .

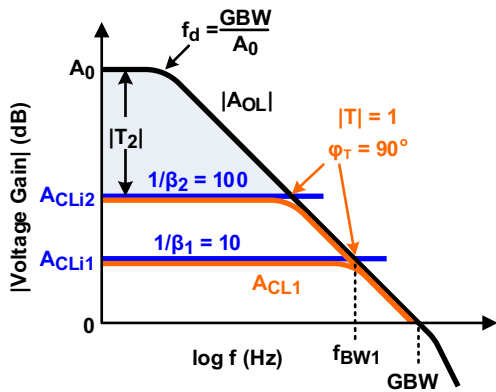


Figure 9. Gain – Bandwidth Dependence of VFB Amplifier

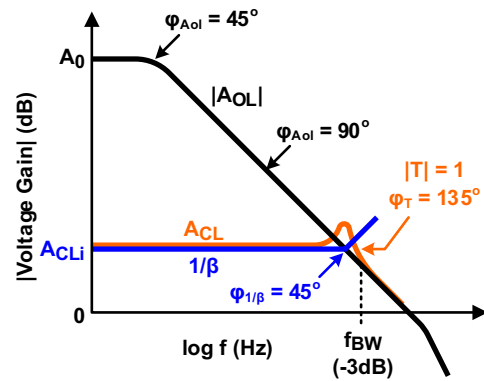


Figure 10. Gain Peak due to Parasitic Input Capacitance

The linear roll-off of  $A_{OL}$  presents a constant limit of the “Gain-Bandwidth Product”. Higher gains require smaller bandwidths and lower gains allow wider bandwidths. Hence, VFB amplifiers are known to be gain-bandwidth limited. The maximum bandwidth is at unity-gain (0dB), and called the unity-gain bandwidth, or simply the gain-bandwidth, GBW. This parameter allows to quickly determine the bandwidth for any gain factor by calculating  $f_{BW} = GBW/A_{CLi}$ .

The other important aspect of loop-gain is its phase shift,  $\Phi_T$ , at  $|T| = 1$ . Normal amplifier operation produces loop phases only in the range of  $45^\circ$  to  $135^\circ$ , which is due to  $A_{OL}$ , because a resistive feedback does not phase lag. However, parasitic capacitance at the op-amp input as well as load capacitance at the op-amp output can add phase shifts to the  $1/\beta$  and  $A_{OL}$  curves respectively, causing the loop phase to approach  $180^\circ$ . Gain-peaking starts at about  $125^\circ$ , with the typical 3dB peak occurring at  $135^\circ$ , and worsening from then on with increasing phase shift. At  $180^\circ$  and  $|T| = 1$ , both magnitude and phase conditions for self-sustaining oscillations are satisfied. At this point, the amplifier oscillates at the frequency of the  $1/\beta$ - $A_{OL}$  intercept, ignoring any signals applied to the non-inverting input.

To maintain stable amplifier operation, it is important to prevent the loop-gain from exceeding  $135^\circ$  phase shift at the  $1/\beta$ - $A_{OL}$  intercept. Note that a  $135^\circ$  phase shift is often called a  $45^\circ$  phase margin,  $\Phi_M$ , with regards to the  $180^\circ$  oscillatory condition ( $\Phi_M = 180^\circ - \Phi_T$ ).

One benefit of VFB amplifiers is that they allow for a number of compensation techniques to prevent instability. Another, often underrated advantage of VFBs is that they do not pose limits on the choice of resistor values. As the reader shall see, CFB op-amps do not provide this freedom of choice.

## 5.2 CFB Loop-Gain

For a CFB amplifier the open-loop gain is  $Z_T$  and its feedback factor is  $1/R_F$ , making the loop-gain  $T_{CFB} = Z_T/R_F$ . On the logarithmic scale of the Bode plot in [Figure 13](#), the loop-gain is the difference (dB $_{\Omega}$ ) between  $Z_T$  and  $R_F$ . The signal bandwidth is where the  $R_F$  line crosses the  $Z_T$  roll-off and the loop-gain magnitude becomes one  $|T_{CFB}| = 1$ , which means:

- (a) the signal bandwidth is determined by  $R_F$  and not by the circuit gain
- (b) the circuit gain is independently set with  $R_G$
- (c) the signal bandwidth remains stable for all gain settings
- (d) even for unity-gain operation, an  $R_F$  resistor is required

Points a) to c) only hold true for the ideal CFB op-amp model, where the output impedance of the input buffer is assumed with  $0\Omega$ . In this case,  $R_B$  shunts gain resistor,  $R_G$  thus eliminating the influence of signal gain.

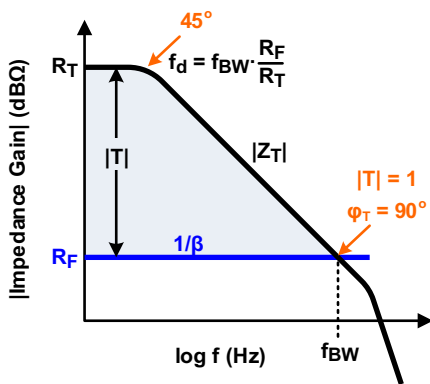


Figure 11. Transimpedance – Bandwidth Dependence of CFB Amplifier

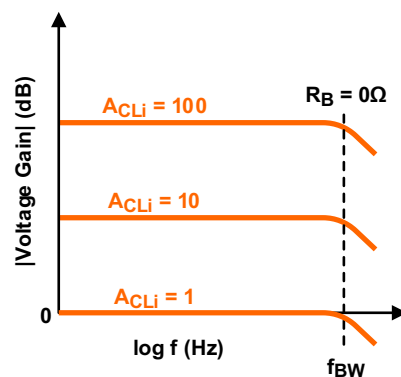


Figure 12. Gain – Bandwidth Dependence of Ideal CFB Amplifier

However, when measuring the bandwidth of CFB op-amps for various signal gains, a slight shift in bandwidth can be detected. This is because  $R_B$  is not zero but somewhere in the range of  $20\Omega$  to  $100\Omega$  ([Figure 13](#)). The parallel combination of  $R_B$  and  $R_G$  then changes the feedback factor to  $\beta = 1/(R_F + R_B \cdot A_{CLi})$ , where the  $A_{CLi}$  term causes the reduction in bandwidth with rising gain levels ([Figure 14](#)).

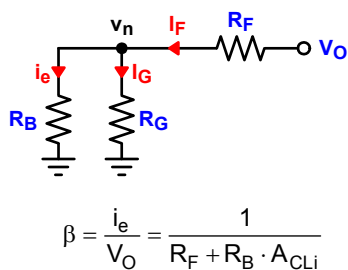


Figure 13. Alteration of  $\beta$  due to  $R_B \neq 0\Omega$

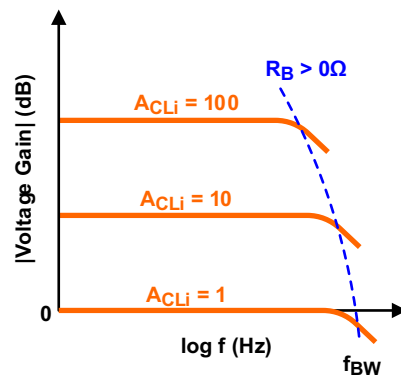


Figure 14. Gain-Bandwidth Dependence of Real CFB Amplifier

As previously mentioned, CFB op-amps do not allow users to freely choose the values of feedback resistors. Manufacturers of CFB op-amps typically specify one or two  $R_F$  values at different gain settings, for which the op-amp provides the largest bandwidth under the most stable phase conditions. Note that even for unity-gain operation, the CFB amplifier always requires feedback resistors.

The designer might choose to deviate from these values, but must be aware of the possible changes in performance this might cause.



Figure 15 depicts this scenario for three different  $R_F$  values.  $R_{F(O)}$  represents the optimized value, specified for maximum bandwidth and minimum gain-peak. Increasing  $R_F$  to the higher value,  $R_{F(H)}$ , overcompensates the loop-gain, causing a drastic reduction in bandwidth. On the other hand, lowering the  $R_F$  value ever so slightly to  $R_{F(L)}$ , moves the device closer towards 180° phase shift and thus, instability.

The best practice when designing with CFB op-amps is to use the  $R_F$  values given in the datasheet and to adjust the desired gain level through  $R_G$ .

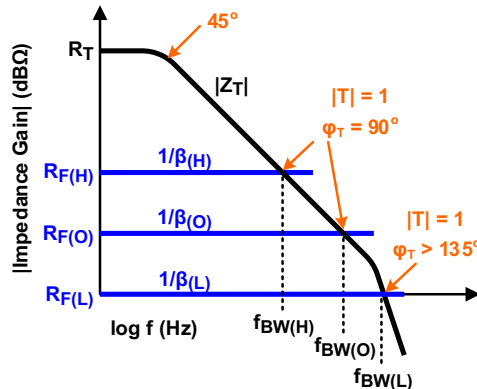


Figure 15. Changing  $R_F$  Impacts Bandwidth and Stability

## 6. Summary

For a quick comparison, Table 1 summarizes the key parameters discussed in this application note.

Table 1. Key Parameters

Parameter	VFB Amplifier	CFB Amplifier
Input Error Signal	Input error voltage, $v_e$	Input error current, $i_e$
Open-Loop Gain	Frequency dependent Voltage Gain: $V_O/v_e$ $A_{OL}(f) = \frac{A_0}{1+jf/f_d}$	Frequency dependent Transimpedance: $V_O/i_e$ $Z_T(f) = \frac{R_T}{1+jf/f_d}$
Feedback Factor	$\beta = \frac{R_G}{R_F + R_G}$	$\beta = \frac{1}{R_F + R_B \cdot A_{CLi}}$
Loop-Gain	$T(f) = \frac{A_{OL}(f)}{A_{CLi}}$	$T(f) = \frac{Z_T(f)}{R_F + R_B \cdot A_{CLi}}$
Closed-Loop Gain	$A_{CL}(f) = A_{CLi} \cdot \frac{1}{1 + \frac{A_{CLi}}{A_{OL}(f)}}$	$A_{CL}(f) = A_{CLi} \cdot \frac{1}{1 + \frac{R_F + R_B \cdot A_{CLi}}{Z_T(f)}}$
Ideal Closed-Loop Gain	$A_{CLi} = 1 + \frac{R_F}{R_G}$	$A_{CLi} = 1 + \frac{R_F}{R_G}$
Maximum Bandwidth	GBW specified at Unity-Gain	$f_{MAX}$ specified at $R_{F(O)}$
Bandwidth at $A_{CLi}$	$f_{BW} = \frac{GBW}{A_{CLi}}$	$f_{BW} = \frac{f_{MAX} \cdot R_{F(O)}}{R_F}$
Stability	Determined by Loop-Gain, Typically unity-gain stable	Determined by Loop-Gain, Typically $R_{F(O)}$ stable
Resistor Values	Wide range of choice	Limited to values close to specified $R_{F(O)}$

## 7. Revision History

Rev.	Date	Description
0.00	May 31, 2018	Initial release

## Notice

1. Descriptions of circuits, software and other related information in this document are provided only to illustrate the operation of semiconductor products and application examples. You are fully responsible for the incorporation or any other use of the circuits, software, and information in the design of your product or system. Renesas Electronics disclaims any and all liability for any losses and damages incurred by you or third parties arising from the use of these circuits, software, or information.
2. Renesas Electronics hereby expressly disclaims any warranties against and liability for infringement or any other claims involving patents, copyrights, or other intellectual property rights of third parties, by or arising from the use of Renesas Electronics products or technical information described in this document, including but not limited to, the product data, drawings, charts, programs, algorithms, and application examples.
3. No license, express, implied or otherwise, is granted hereby under any patents, copyrights or other intellectual property rights of Renesas Electronics or others.
4. You shall not alter, modify, copy, or reverse engineer any Renesas Electronics product, whether in whole or in part. Renesas Electronics disclaims any and all liability for any losses or damages incurred by you or third parties arising from such alteration, modification, copying or reverse engineering.
5. Renesas Electronics products are classified according to the following two quality grades: "Standard" and "High Quality". The intended applications for each Renesas Electronics product depends on the product's quality grade, as indicated below.  
"Standard": Computers; office equipment; communications equipment; test and measurement equipment; audio and visual equipment; home electronic appliances; machine tools; personal electronic equipment; industrial robots; etc.  
"High Quality": Transportation equipment (automobiles, trains, ships, etc.); traffic control (traffic lights); large-scale communication equipment; key financial terminal systems; safety control equipment; etc.  
Unless expressly designated as a high reliability product or a product for harsh environments in a Renesas Electronics data sheet or other Renesas Electronics document, Renesas Electronics products are not intended or authorized for use in products or systems that may pose a direct threat to human life or bodily injury (artificial life support devices or systems; surgical implantations; etc.), or may cause serious property damage (space system; undersea repeaters; nuclear power control systems; aircraft control systems; key plant systems; military equipment; etc.). Renesas Electronics disclaims any and all liability for any damages or losses incurred by you or any third parties arising from the use of any Renesas Electronics product that is inconsistent with any Renesas Electronics data sheet, user's manual or other Renesas Electronics document.
6. When using Renesas Electronics products, refer to the latest product information (data sheets, user's manuals, application notes, "General Notes for Handling and Using Semiconductor Devices" in the reliability handbook, etc.), and ensure that usage conditions are within the ranges specified by Renesas Electronics with respect to maximum ratings, operating power supply voltage range, heat dissipation characteristics, installation, etc. Renesas Electronics disclaims any and all liability for any malfunctions, failure or accident arising out of the use of Renesas Electronics products outside of such specified ranges.
7. Although Renesas Electronics endeavors to improve the quality and reliability of Renesas Electronics products, semiconductor products have specific characteristics, such as the occurrence of failure at a certain rate and malfunctions under certain use conditions. Unless designated as a high reliability product or a product for harsh environments in a Renesas Electronics data sheet or other Renesas Electronics document, Renesas Electronics products are not subject to radiation resistance design. You are responsible for implementing safety measures to guard against the possibility of bodily injury, injury or damage caused by fire, and/or danger to the public in the event of a failure or malfunction of Renesas Electronics products, such as safety design for hardware and software, including but not limited to redundancy, fire control and malfunction prevention, appropriate treatment for aging degradation or any other appropriate measures. Because the evaluation of microcomputer software alone is very difficult and impractical, you are responsible for evaluating the safety of the final products or systems manufactured by you.
8. Please contact a Renesas Electronics sales office for details as to environmental matters such as the environmental compatibility of each Renesas Electronics product. You are responsible for carefully and sufficiently investigating applicable laws and regulations that regulate the inclusion or use of controlled substances, including without limitation, the EU RoHS Directive, and using Renesas Electronics products in compliance with all these applicable laws and regulations. Renesas Electronics disclaims any and all liability for damages or losses occurring as a result of your noncompliance with applicable laws and regulations.
9. Renesas Electronics products and technologies shall not be used for or incorporated into any products or systems whose manufacture, use, or sale is prohibited under any applicable domestic or foreign laws or regulations. You shall comply with any applicable export control laws and regulations promulgated and administered by the governments of any countries asserting jurisdiction over the parties or transactions.
10. It is the responsibility of the buyer or distributor of Renesas Electronics products, or any other party who distributes, disposes of, or otherwise sells or transfers the product to a third party, to notify such third party in advance of the contents and conditions set forth in this document.
11. This document shall not be reprinted, reproduced or duplicated in any form, in whole or in part, without prior written consent of Renesas Electronics.
12. Please contact a Renesas Electronics sales office if you have any questions regarding the information contained in this document or Renesas Electronics products.  
(Note 1) "Renesas Electronics" as used in this document means Renesas Electronics Corporation and also includes its directly or indirectly controlled subsidiaries.  
(Note 2) "Renesas Electronics product(s)" means any product developed or manufactured by or for Renesas Electronics.

(Rev.4.0-1 November 2017)



### SALES OFFICES

Renesas Electronics Corporation

<http://www.renesas.com>

Refer to "<http://www.renesas.com/>" for the latest and detailed information.

#### **Renesas Electronics America Inc.**

1001 Murphy Ranch Road, Milpitas, CA 95035, U.S.A.  
Tel: +1-408-432-8888, Fax: +1-408-434-5351

#### **Renesas Electronics Canada Limited**

9251 Yonge Street, Suite 8309 Richmond Hill, Ontario Canada L4C 9T3  
Tel: +1-905-237-2004

#### **Renesas Electronics Europe Limited**

Dukes Meadow, Millboard Road, Bourne End, Buckinghamshire, SL8 5FH, U.K  
Tel: +44-1628-651-700, Fax: +44-1628-651-804

#### **Renesas Electronics Europe GmbH**

Arcadiastrasse 10, 40472 Düsseldorf, Germany  
Tel: +49-211-6503-0, Fax: +49-211-6503-1327

#### **Renesas Electronics (China) Co., Ltd.**

Room 1709 Quantum Plaza, No.27 ZhichunLu, Haidian District, Beijing, 100191 P. R. China  
Tel: +86-10-8235-1155, Fax: +86-10-8235-7679

#### **Renesas Electronics (Shanghai) Co., Ltd.**

Unit 301, Tower A, Central Towers, 555 Langao Road, Putuo District, Shanghai, 200333 P. R. China  
Tel: +86-21-2226-0888, Fax: +86-21-2226-0999

#### **Renesas Electronics Hong Kong Limited**

Unit 1601-1611, 16/F., Tower 2, Grand Century Place, 193 Prince Edward Road West, Mongkok, Kowloon, Hong Kong  
Tel: +852-2265-6688, Fax: +852 2886-9022

#### **Renesas Electronics Taiwan Co., Ltd.**

13F, No. 363, Fu Shing North Road, Taipei 10543, Taiwan  
Tel: +886-2-8175-9600, Fax: +886 2-8175-9670

#### **Renesas Electronics Singapore Pte. Ltd.**

80 Bendemeer Road, Unit #06-02 Hyflux Innovation Centre, Singapore 339949  
Tel: +65-6213-0200, Fax: +65-6213-0300

#### **Renesas Electronics Malaysia Sdn.Bhd.**

Unit 1207, Block B, Menara Amcorp, Amcorp Trade Centre, No. 18, Jln Persiaran Barat, 46050 Petaling Jaya, Selangor Darul Ehsan, Malaysia  
Tel: +60-3-7955-9390, Fax: +60-3-7955-9510

#### **Renesas Electronics India Pvt. Ltd.**

No.777C, 100 Feet Road, HAL 2nd Stage, Indiranagar, Bangalore 560 038, India  
Tel: +91-80-67208700, Fax: +91-80-67208777

#### **Renesas Electronics Korea Co., Ltd.**

17F, KAMCO Yangjae Tower, 262, Gangnam-daero, Gangnam-gu, Seoul, 06265 Korea  
Tel: +82-2-558-3737, Fax: +82-2-558-5338