

# Gate Driver IC for IGBTs and SiC MOSFETs

## Application Note for RAJ2930004AGM

### Contents

1. Gate Driver IC features.....	2
1.1 Features summary.....	2
2. System application.....	3
2.1 Traction inverter system architecture .....	3
2.2 Application block diagram .....	4
3. How to use / Hint .....	5
3.1 PIN Configuration of Renesas GDU products.....	5
3.1.1 RAJ2930004AGM PIN Configuration .....	5
3.2 Gate resistor consideration .....	6
3.2.1 Gate drive output peak current.....	6
3.2.2 Power loss calculation .....	6
3.2.3 Conclusion of gate resistor selection .....	7
3.3 DESAT consideration .....	8
3.3.1 DESAT design outline .....	8
3.3.2 RAJ2930004AGM DESAT parameter .....	9
3.3.3 DESAT protection time calculation example .....	10
3.3.4 tBLANK setting notes .....	10
3.3.5 Soft turn-off during DESAT.....	11
3.3.6 Noise immunity improvement .....	11
3.3.7 DESAT parameter setting example.....	12
3.3.8 Fault case example .....	13
3.3.9 Conclusion of DESAT functionality.....	14
3.4 Active Miller Clamp and Negative Voltage consideration.....	15
3.4.1 Self turn-on phenomenon.....	15
3.4.2 Self turn-on measures .....	15
3.5 Shoot through protection consideration .....	16
4. Conclusion.....	17
Revision History .....	18

## Introduction

This application note summarizes features, functions and method to use it, regarding Renesas gate driver IC for IGBT and SiC MOSFET gate-drive in the high voltage applications such as traction inverters, DC-DC converters and On-board charger for EV/HEV in automotive.

## Target Device

The scope of this application note is for RAJ2930004AGM.

### 1. Gate Driver IC features

The target device is a gate driver IC for IGBT and SiC MOSFET gate-drive in high voltage inverter applications. Integrated 3750Vrms micro-isolators provide data transfer with high voltage isolation between the primary circuit (MCU side) and the secondary circuit (IGBT or SiC MOSFET side). In addition, it boasts superior CMTI (Common Mode Transient Immunity) performance over 150 V/ns, providing reliable communication and increased noise immunity while meeting the high voltages and fast switching speeds required in inverter systems.

This device contains Gate drive circuit, Miller clamp circuit, and soft turn-off circuit as well as several types of protection circuits such as Overcurrent detection.

#### 1.1 Features summary

The features of the target device is shown as follows.

	Part Number
Specifications	RAJ2930004AGM
Package	SOP16
Insulation voltage [Vrms], 1min	3750
CMTI [V/ns]	150
Gate drive output peak current [A]	10
VCC1 UVLO [V]	4.1
VCC2 UVLO [V]	10
Operating voltage [V]	12.5 - 33
Operating temperature [°C]	-40 - 125
Junction temperature [°C]	150
DESAT protection	✓
Current Sense protection	NA
Active miller clamp	✓
Soft turn-off function	✓
PWM interlock support (INA and INB)	✓

## 2. System application

### 2.1 Traction inverter system architecture

The traction inverter system is a system that converts DC power into AC power and is used in motors of xEV. In recent years, the demand for xEV has been increasing rapidly due to the tightening of CO<sub>2</sub> reduction regulations and the increase in EV subsidies to stimulate the economy. There is also a need to improve the power efficiency of the traction inverter systems used in xEV in order to improve power costs and cruising range. Among them, instead of IGBT, SiC MOSFET use is getting more popular to reduce switching loss and improve the power efficiency of the traction inverter system.

Renesas Gate Driver IC (GDU) is used to drive inverters that convert DC power from battery into three-phase AC power to drive motors. The high voltage side consists of a motor, a high voltage battery that drives the motor and an IGBT or SiC MOSFET. And the low voltage side consists of an MCU, PMIC and a low voltage battery that provides power to the control circuit. In addition, the GDU is installed between the high and low voltage sides. The GDU not only drives the IGBTs, but also performs the functions of information communication and isolation between the high and low voltage sides.

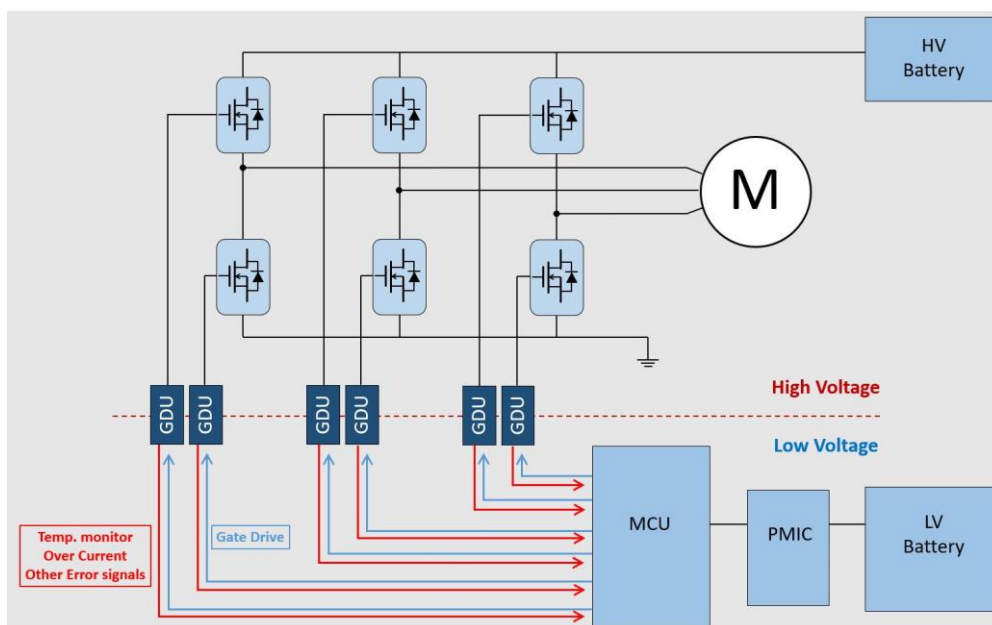


Figure 1. Traction inverter system

## 2.2 Application block diagram

Below diagram is Simplified application example diagram.

The external gate resistors ( $R_{GH}$ ,  $R_{GL}$ ) are connected to OUTH/OUTL. This is for controlling gate drive output peak current of GDU and power device switching speed. And this resistance is necessary to suppress the heating of GDU. The details of gate resistor are shown in Chapter 3.2.

RAJ2930004AGM has DESAT protection. And external components ( $C_{blank}$ ,  $R_{DESAT}$ ,  $D_{DESAT}$ ) are required for this function. The details of DESAT protection are shown in Chapter 3.3.

And this device has an on-chip active miller clamp and support VEE negative voltage input to prevent self turn-on of power device. The details of Active Miller Clamp and Negative Voltage consideration are shown in Chapter 3.4.

In addition, this device supports PWM interlock for shoot through protection. The details of PWM interlock are shown in Chapter 3.5.

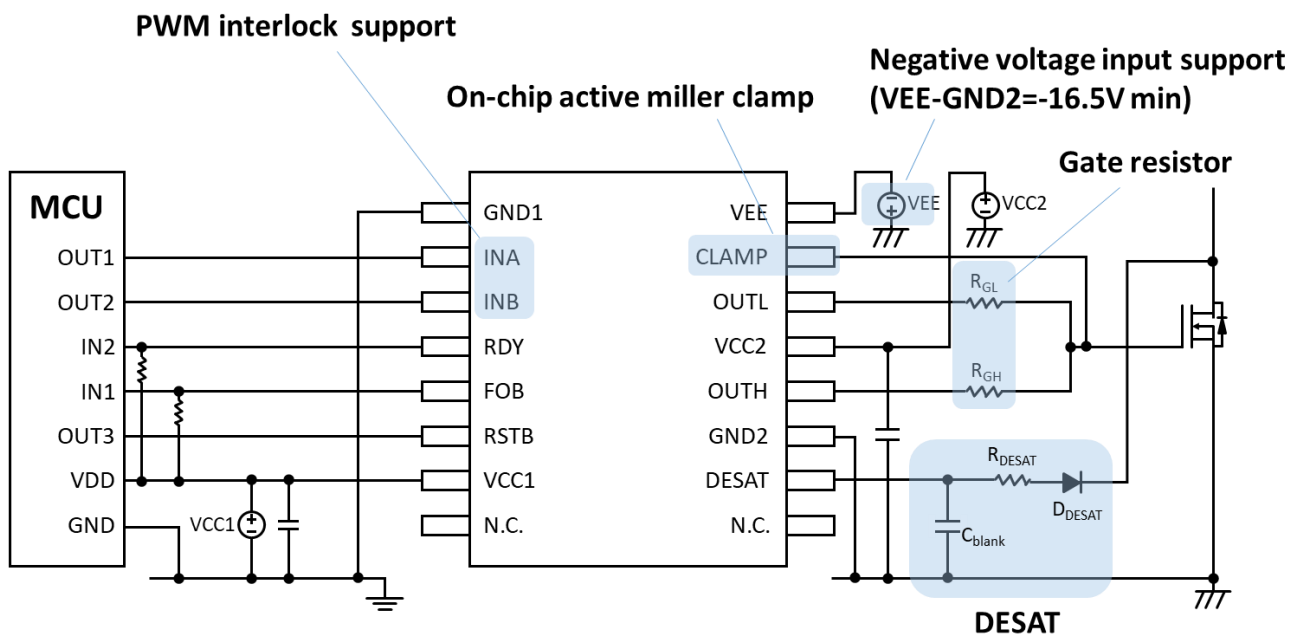


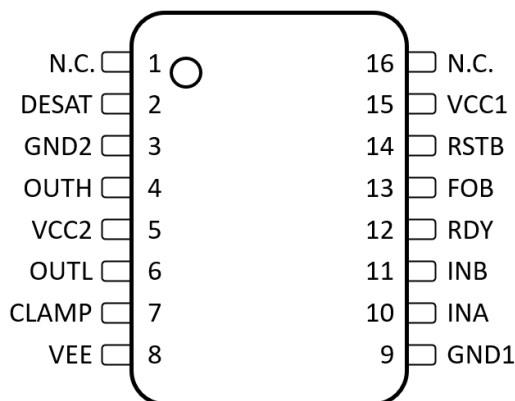
Figure 2. Application block diagram of RAJ2930004AGM

### 3. How to use / Hint

This chapter contains instructions and tips for using Renesas GDU.

## 3.1 PIN Configuration of Renesas GDU products

### 3.1.1 RAJ2930004AGM PIN Configuration



**Figure 3. Pin assignment of RAJ2930004AGM**

**Table 1. Pin assignment and Functions of RAJ2930004AGM**

No.	Pin Name	I/O	Functions
1	N.C.	-	Non-Connection
2	DESAT	I	DESAT input
3	GND2	P	Secondary side GND. Connect to IGBT Emitter
4	OUTH	O	Gate drive output (Positive)
5	VCC2	P	Secondary power supply input (15 V typ.)
6	OUTL	O	Gate drive output (Negative)
7	CLAMP	I/O	Active Miller clamp input / output
8	VEE	P	Negative power supply input. Connect to GND2 for Unipolar supply application.
9	GND1	P	Primary side GND
10	INA	I	Non-inverted gate drive input
11	INB	I	Inverted gate drive input
12	RDY	O	Power-good output
13	FOB	O	Inverted fault output (L level output at error)
14	RSTB	I	Reset input. Apply a low pulse to reset fault (FOB) latch.
15	VCC1	P	Primary side power supply input (5 V typ.)
16	N.C.	-	Non-Connection

### 3.2 Gate resistor consideration

The external gate resistors ( $R_{GH}$ ,  $R_{GL}$ ) are connected to OUTH/OUTL.

As shown in Table.2, there is much performance dependent on gate resistor and some performance has a relationship of the trade-off. And suitable resistance value is dependent on power device specifications.

So, it is necessary to decide resistance value by taking into consideration the power device specifications.

On the other hand, GDU has absolute maximum ratings for gate drive output peak current (15A) and junction temperature (150°C). Therefore, it is necessary to connect resistance satisfying these limitations at least.

**Table 2. Performance dependent on gate resistor**

Gate resistor		
Small $\longleftrightarrow$ Large		
Switching speed	Fast	Slow
Switching loss	Small	Large
Gate drive output peak current	Large	Small
VDS surge	Large	Small
EMI	Bad	Good
GDU device heating	Large	Small

	: Good
	: Bad

#### 3.2.1 Gate drive output peak current

The minimum gate resistance value necessary for GDU is decided by the absolute maximum ratings (Gate drive output peak current, Junction temperature).

The gate drive output peak current is defined as follows. It is necessary to decide external gate resistance value satisfying absolute maximum rating (15A).

$$I_{OUTH} = \frac{VCC2 - VEE}{R_{OUT} + R_{GH} + R_{G\_int}} \quad (1)$$

$$I_{OUTL} = \frac{VCC2 - VEE}{R_{OUT} + R_{GL} + R_{G\_int}} \quad (2)$$

$R_{OUT}$ : GDU output NMOS on-resistance (pull-up/pull-down) 0.3Ω typ.

$R_{GH}$ ,  $R_{GL}$ : External gate resistor.

$R_{G\_int}$ : Internal gate resistance of the SiC or IGBT module.

#### 3.2.2 Power loss calculation

The power dissipation must be taken into account to maintain the gate driver within the thermal limit. The power loss of the gate driver includes the quiescent loss and the switching loss, which can be calculated as follows.

$$P_{GD} = P_{GDQ} + P_{GSW} \quad (3)$$

$P_{GD}$ : Total power loss

$P_{GDQ}$ : Quiescent power loss

$P_{GSW}$ : Switching power loss

Quiescent power loss is given by

$$P_{GDQ} = VCC1 \times I_{VCC1} + (VCC2 - VEE) \times I_{VCC2} \quad (4)$$

Switching power loss is given by

$$P_{GSW} = (VCC2 - VEE) \times Q_g \times f_{SW} \times R_{ratio} \quad (5)$$

$Q_g$ : Gate charge of power device

$f_{SW}$ : Switching frequency

$R_{ratio}$ : Coefficient determined by internal Ron and external gate resistor

Coefficient Rratio is given by

$$R_{ratio} = \frac{1}{2} \times \left( \frac{R_{OUT}}{R_{OUT} + R_{GH} + R_{G_{int}}} + \frac{R_{OUT}}{R_{OUT} + R_{GL} + R_{G_{int}}} \right) \quad (6)$$

When the gate resistor of GDU device outside ( $R_{GH}$ ,  $R_{GL}$ ,  $R_{G_{int}}$ ) is 0,  $R_{ratio}$  is 1. This is the condition where the power consumption of the GDU device is maximized.

### Calculation example

$$VCC1 = 5V, VCC2 - VEE = 20V, I_{VCC1} = 3mA, I_{VCC2} = 5mA,$$

$$Q_g = 4400nC, f_{SW} = 15kHz, R_{OUT} = 0.3\Omega, R_{GH} = R_{GL} = 2\Omega, R_{G_{int}} = 0.7\Omega,$$

$$P_{GDQ} = 115mW \text{ (Quiescent power loss),}$$

$$P_{GSW} = 132mW \text{ (Switching power loss),}$$

$$P_{GD} = 247mW \text{ (Total power loss)}$$

When the board temperature is 125°C, the junction temperature can be estimated as

$$\begin{aligned} T_j &= T_b + \Psi_{JB} \times P_{GD} \\ &= 125^\circ\text{C} + 31.8^\circ\text{C/W} \times 0.247\text{W} \\ &= 133 [^\circ\text{C}] \end{aligned} \quad (7)$$

$\Psi_{JB}$ : RAJ2930004AGM junction-to-board characterization parameter,  
Based on JESD51-2 environment, JESD51-7 test board (4 layers board)

### 3.2.3 Conclusion of gate resistor selection

Chapter 3.2 shows the gate resistor explanation and the method of the gate resistor setting.

GDU has absolute maximum ratings for gate drive output peak current and junction temperature.

By these limitations, necessary minimum gate resistance value for GDU normal operation is decided

And the external gate resistance that addition needs is dependent on power device specifications ( $Q_g$ ,

$R_{G_{int}}$ ,  $VGS(=VCC2-VEE)$ ,  $f_{SW}$ ).

Therefore it is also necessary to consider the power device when making an external gate resistance value decision. After minimum gate resistance for GDU is decision, if there are EMI and VDS surge issues, adjust resistance value as needed.

### 3.3 DESAT consideration

RAJ2930004AGM has a DESAT functionality as an over current protection.

#### 3.3.1 DESAT design outline

In general, DESAT protection absolutely needs to satisfy the following relationship (8) and (9).

$$t_1 + t_2 < t_{SC} \tag{8}$$

$t_1 + t_2$ : DESAT protection time (see 3.3.2)

$t_{SC}$ : Power device SCWT (Short Circuit Withstand Time), e.g. SiC:3us, IGBT:6us

$$V_{DESATth} > V_{DESATnormal} \tag{9}$$

$V_{DESATnormal}$ : DESAT pin voltage in normal operation

Where

$$V_{DESATnormal} = V_f + I_{charge} \times (R_{DESAT} + R_{ON}) \tag{10}$$

DESAT function is abnormal-off protection, therefore need some consideration for noise to avoid unintended off. To increase the noise immunity of DESAT pin, Low Pass Filter with  $C_{blank}$  and  $R_{DESAT}$  should be formed.  $C_{blank}$  and  $R_{DESAT}$  should be big at the noise immunity point of view, on the other hand  $t_{BLANK}$  becomes long when  $C_{blank}$  becomes big. Therefore, DESAT protection time and noise immunity are trade-off. In case  $R_{DESAT}$  is bigger,  $V_{DESATnormal}$  ( $=V_f + I_{charge} \times (R_{DESAT} + R_{on})$ ) also becomes bigger. So  $V_{DESATth}$  and  $V_{DESATnormal}$  become close to each other and the malfunction by the noise becomes easy to happen.

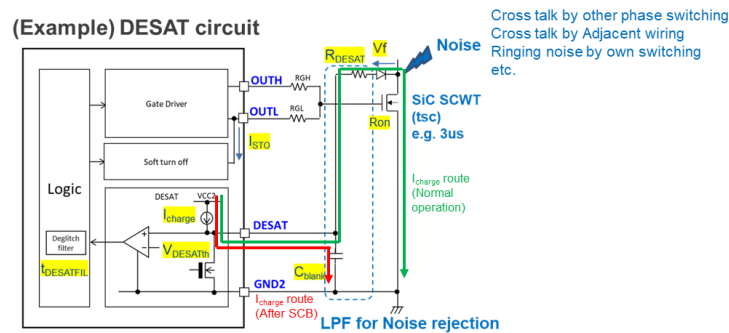


Figure 4. DESAT circuit diagram

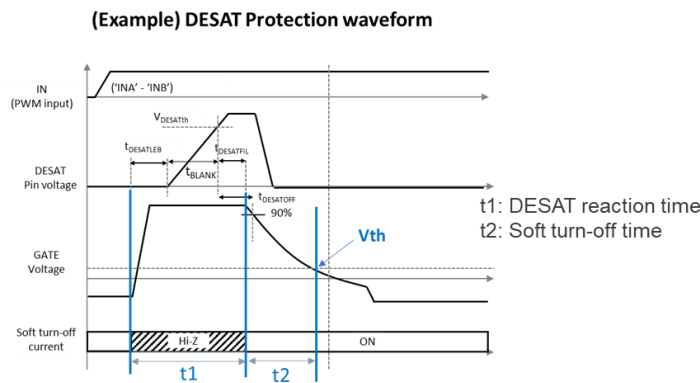


Figure 5. DESAT protection timing diagram



### 3.3.2 RAJ2930004AGM DESAT parameter

In case of RAJ2930004AGM,  $t_1$  and  $t_2$  at Figure 5 are defined as follows.  
Parameter ( $C_{blank}$ ) must be determined to satisfy (8)

$$t_1 + t_2 < t_{SC} \quad (8)$$

$$t_1 = t_{DESATLEB} + t_{BLANK} + t_{DESATFIL} \quad (11)$$

$$t_2 = -C_{iss} \times R_{STO} \times \ln\left(\frac{V_{th}}{V_{GS}}\right) \quad (12)$$

**Table 3. RAJ2930004AGM parameter**

$t_{DESATLEB}$	200ns (typ) fixed
$t_{BLANK}$	$t_{BLANK} = C_{blank} \times V_{DESATth} / I_{charge}$ $C_{blank}$ : Determined by customer considering noise tolerance $V_{DESATth}$ : 8.9V (typ) fixed $I_{charge}$ : 500uA (typ) fixed
$t_{DESATFIL}$	140ns (typ) fixed
$I_{STO}$ ( $R_{STO}$ )	400mA (typ) fixed at OUTL = VEE+8V (20Ω (typ) equivalent)

### 3.3.3 DESAT protection time calculation example

Following Table shows DESAT protection time calculation example that used Wolfspeed SiC and Infineon IGBT. Generally, SCWT of SiC is around 3us and IGBT is around 6us so RAJ2930004AGM can protect from short circuit destruction.

	SiC	IGBT
V <sub>DESATth</sub> (V)	8.9	8.9
I <sub>charge</sub> (mA)	0.5	0.5
C <sub>blank</sub> (pF)	22	100
R <sub>DESAT</sub> (kΩ)	6.8	6.8
R <sub>STO</sub> (Ω)	20	20
V <sub>gs</sub> (V)	15	15
V <sub>th</sub> (V)	2.5	5.8
C <sub>iss</sub> (nF)	38	80
t <sub>DESATLEB</sub> (ns)	200	200
t <sub>BLANK</sub> (ns)	392	1780
t <sub>DESATFIL</sub> (ns)	140	140
t <sub>1</sub> (us)	0.7	2.1
t <sub>2</sub> (us)	1.4	1.5
t <sub>1+t2</sub> (us)	2.1	3.6

Correlation arrows point from C<sub>blank</sub> (22 pF) to t<sub>1</sub> (0.7 us) and from C<sub>iss</sub> (38 nF) to t<sub>2</sub> (1.4 us).

SiC: EAB450M12XM3 (Wolfspeed)  
 IGBT: FS950R08A6P2BBPSA1 (Infineon)

Generally  
 SiC SCWT: 3us  
 IGBT SCWT: 6us

Figure 6. DESAT protection time calculation example

### 3.3.4 tBLANK setting notes

t<sub>BLANK</sub> can be adjusted by adjusting C<sub>blank</sub>. As shown in following Graph, when decreased C<sub>blank</sub>, t<sub>BLANK</sub> becomes short. However, when applying a small C<sub>blank</sub>, noise margin decreases (The LPF cut-off frequency determined by C<sub>blank</sub> and R<sub>DESAT</sub> increases) and the risk of malfunction due to noise increases. So, it is necessary to set C<sub>blank</sub> while being careful about the noise level of DESAT pin.

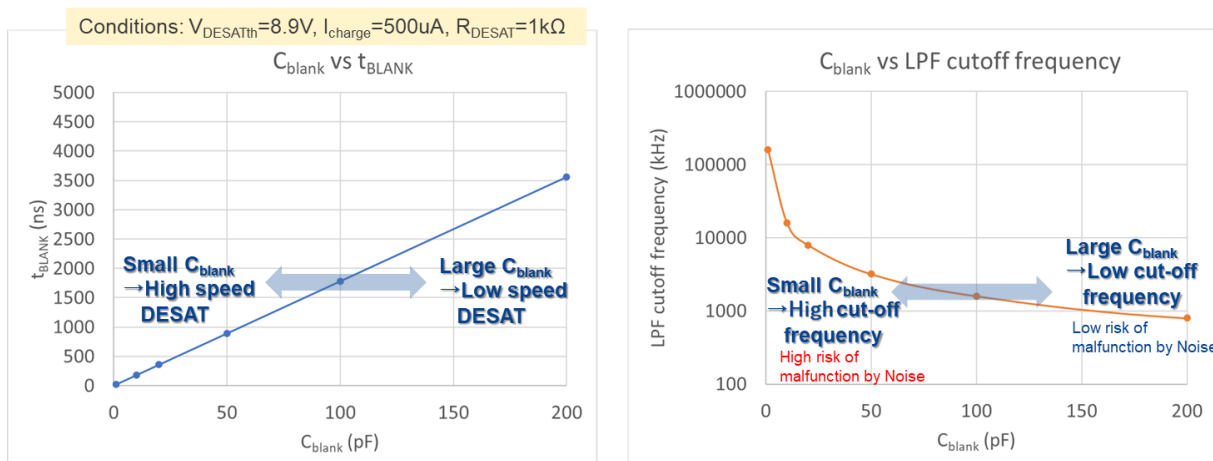


Figure 7. Relationship of C<sub>blank</sub> and t<sub>BLANK</sub>, of C<sub>blank</sub> and LPF cut-off frequency

### 3.3.5 Soft turn-off during DESAT

During DESAT protection, soft turn-off function works. The reason for this function is to prevent destruction of the power device by the huge voltage spike (VDS overshoot) caused by parasitic inductance in the power loop.

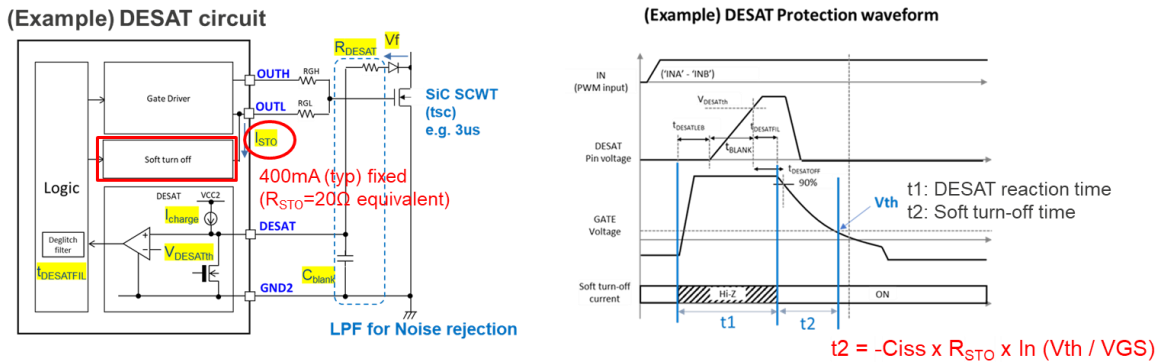


Figure 8. Soft turn-off operation during DESAT

### 3.3.6 Noise immunity improvement

For noise immunity improvement of DESAT pin, it is necessary to consider both PCB layout and external parts choice.

#### PCB layout

To prevent malfunction by switching noise (ringing noise) at the turn-on, DESAT line should be as short as possible to reduce  $L_{DESAT}$  in Figure 9. To prevent DESAT line from noise (cross talk) of other signal line, it is better to be shielded by GND2.

#### External components choice

It is better to select DESAT Diode with a small junction capacitance ( $C_{junction}$ ) to reduce noise level of DESAT pin. The noise level of DESAT pin is decided by the ratio of  $C_{blank}$  and  $C_{junction}$ .

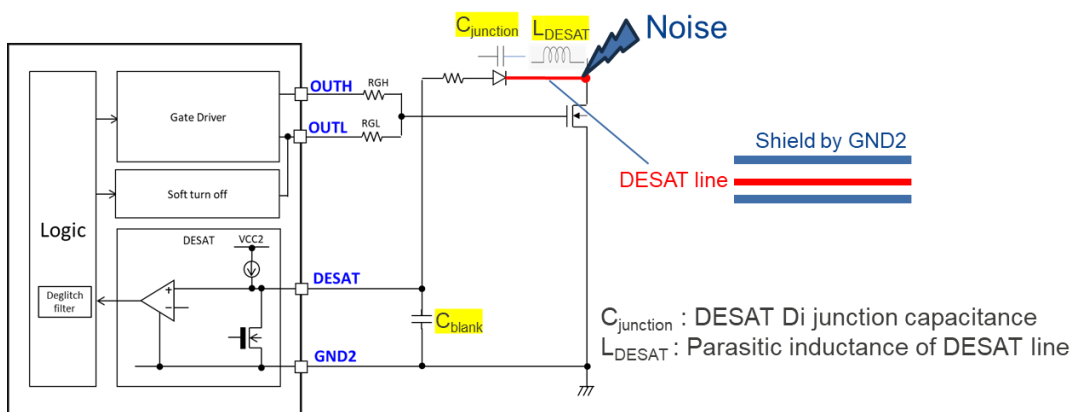


Figure 9. Noise immunity improvement

### 3.3.7 DESAT parameter setting example

As a DESAT parameter setting method example, please refer to below procedures.

#### Conditions

Power device: Renesas SiC (SCWT:3us(TBD), Vth:4V (TBD), Ciss:40nF (TBD))

GDU: Renesas RAJ2930004AGM

#### Setting method

Toward SCWT=3us requirement, set the target DESAT protection time to 2us with some margin.

- (1) Calculate  $t_2$  (Soft turn off time) as soft turn off current 400mA ( $R_{STO}=20\Omega$  equivalent)

$$t_2 = -40\text{nF} \times 20\Omega \times \ln\left(\frac{4\text{V}}{15\text{V}}\right) = 1057 \text{ [ns]}$$

- (2) Calculate target  $t_{BLANK}$

$$\text{Target } t_{BLANK} < 2\mu\text{s} - 1.057\mu\text{s} - t_{DESATLEB} (= 0.200\mu\text{s}) - t_{DESATFIL} (= 0.140\mu\text{s}) = 603 \text{ [ns]}$$

- (3) Calculate maximum  $C_{blank}$  as  $V_{DESATth} = 8.9\text{V}$ ,  $I_{charge} = 500\mu\text{A}$

$$C_{blank} < 603\text{ns} \times \frac{500\mu\text{A}}{8.9\text{V}} = 33.9 \text{ [pF]}$$

So selected  $C_{blank} = 33\text{pF}$

- (4) Calculate maximum  $R_{DESAT}$  as  $V_f=0.6\text{V}$

$$R_{DESAT} < \frac{8.9\text{V} - 0.6\text{V}}{500\mu\text{A}} = 16.6 \text{ [k}\Omega\text{]}$$

When cut-off frequency is set to 1MHz (Assuming a turn-on time of 50ns, filter time 150ns (x3 margin))

$$R_{DESAT} = \frac{1}{2\pi \times 33\text{pF} \times 1\text{MHz}} = 4.8 \text{ [k}\Omega\text{]}$$

So selected  $R_{DESAT} = 4.7\text{k}\Omega$

Cut-off frequency of LPF by  $C_{blank}$ ,  $R_{DESAT}$  is set to a value that is at least twice the turn-on time. (This is to prevent malfunction due to ringing during turn-on)

Turn-on time is the time until the  $V_{DS}(V_{CE})$  of the power device drops. And it depends on the input capacitance and gate resistor of power device.

Setting example for Renesas SiC

C <sub>blank</sub> (pF)	33
R <sub>DESAT</sub> (kΩ)	4.7

$t_1 = 0.9\mu s$   
 $t_2 = 1.1\mu s$   
 $t_1+t_2 = 2.0\mu s$   
 $f_c = 1MHz$

(Example) DESAT Protection waveform

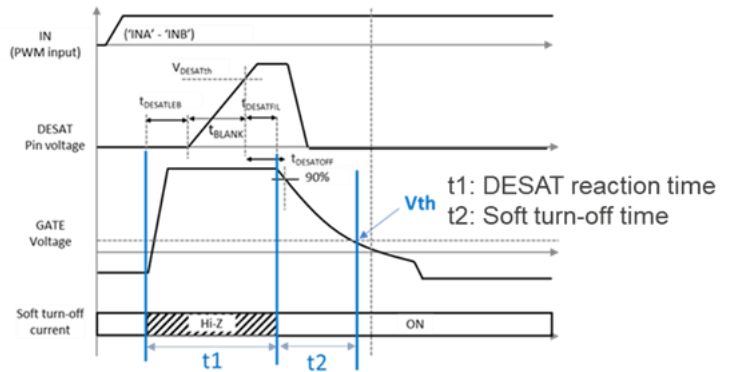


Figure 10. DESAT parameter setting example

3.3.8 Fault case example

Below Table is an example of fault cases which DESAT works.

Table 4. Fault cases

	Case1 SCB (Short Circuit to Battery)	Case2 SCG (Short Circuit to GND)	Case3 Overcurrent (Due to partial short)	Case4 Through-current (Due to deadtime overlap by incorrect MCU signals)	Case5 Power device open	Case6 DESAT pin open
Fault case						
DESAT reaction time (t1)	$t_1 = t_{DESATLEB} + t_{BLANK} + t_{DESATFIL}$ $t_{DESATLEB}=140ns$ $t_{DESATFIL}=140ns$ $t_{BLANK} = C_{blank} \times V_{DESATth} / I_{charge}$	$t_1 = t_{DESATLEB} + t_{BLANK} + t_{DESATFIL}$ $t_{DESATLEB}=140ns$ $t_{DESATFIL}=140ns$ $t_{BLANK} = C_{blank} \times V_{DESATth} / I_{charge}$	$t_1 = t_{DESATLEB} + t_{BLANK} + t_{DESATFIL}$ $t_{DESATLEB}=140ns$ $t_{DESATFIL}=140ns$ $t_{BLANK} = -C_{blank} \times R_{DESAT} \times \ln(1 - V_{DESATth} / V_{DESAT})$ $V_{DESAT} = V_f + I_{charge} \times R_{DESAT} + V_{DSOC}$	$t_1 = t_{DESATLEB} + t_{BLANK} + t_{DESATFIL}$ $t_{DESATLEB}=140ns$ $t_{DESATFIL}=140ns$ $t_{BLANK} = -C_{blank} \times R_{DESAT} \times \ln(1 - V_{DESATth} / V_{DESAT})$ $V_{DESAT} = V_f + I_{charge} \times R_{DESAT} + V_{DSOC}$	$t_1 = t_{DESATLEB} + t_{BLANK} + t_{DESATFIL}$ $t_{DESATLEB}=140ns$ $t_{DESATFIL}=140ns$ $t_{BLANK} = C_{blank} \times V_{DESATth} / I_{charge}$	$t_1 = t_{DESATLEB} + t_{BLANK} + t_{DESATFIL}$ $t_{DESATLEB}=140ns$ $t_{DESATFIL}=140ns$ $t_{BLANK} = 0ns$

### 3.3.9 Conclusion of DESAT functionality

Chapter 3.3 shows DESAT explanation and the method of DESAT parameter setting.

However, it is necessary to adjust each parameters depending on the specifications (SCWT,  $C_{iss}$ ,  $V_{th}$  etc.) of the power device.

There is a trade-off between “DESAT protection time” and “Noise immunity” like following Table.

So, it is necessary to decide a parameter in consideration for both performance.

In addition, by reducing the parasitic elements ( $L_{DESAT}$ ,  $C_{junction}$ ) of the circuit, a small  $C_{blank}$  can be applied.

And DESAT protection time can be shortened.

**Table 5. List of parameters to influence DESAT protection**

Parameter		For short DESAT protection time	For strong noise immunity
Gate Driver	$V_{DESATth}$	Lower is better (RAJ2930004AGM is 8.9V fixed)	Higher is better (RAJ2930004AGM is 8.9V fixed)
	$I_{charge}$	Larger is better (RAJ2930004AGM is 500uA fixed)	Smaller is better (RAJ2930004AGM is 500uA fixed)
	$I_{STO}$	Larger is better (RAJ2930004AGM is 400mA fixed)	Smaller is better (RAJ2930004AGM is 400mA fixed)
External parts	$C_{blank}$	Smaller is better (e.g. 22pF)	Larger is better (e.g. 100pF)
	$R_{DESAT}$	No influence	Larger is better
	$C_{junction}$	No influence	Smaller is better
PCB	$L_{DESAT}$	No influence	Smaller is better

### 3.4 Active Miller Clamp and Negative Voltage consideration

RAJ2930004AGM has an on-chip Active Miller Clamp (AMC) and support VEE negative voltage input to prevent self turn-on of power device.

#### 3.4.1 Self turn-on phenomenon

As shown in Figure 11, when the Low-side is OFF and High-side becomes ON, VDS voltage of Low-side increases rapidly. And the voltage to be decided by the ratio of Cgd and Cgs occurs at the gate. Furthermore, through Cgd, an electric current flow to R<sub>GL</sub> and abnormal voltage occurs at the gate. Due to this increase at the gate voltage, Low-side may malfunction (turn-on). This is self turn-on.

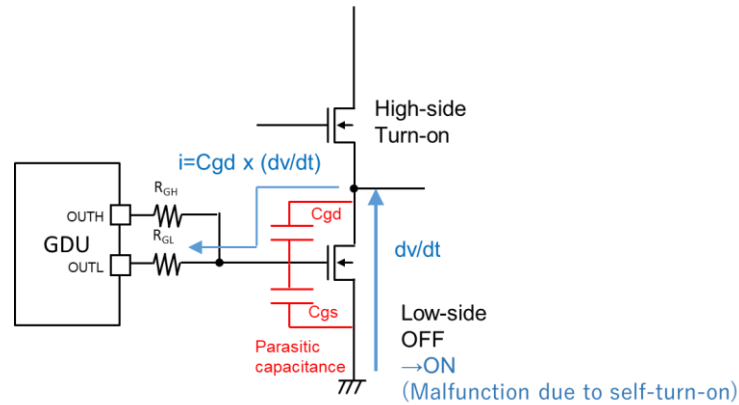


Figure 11. Self turn-on

#### 3.4.2 Self turn-on measures

To prevent self turn-on, RAJ2930004AGM has an internal AMC function. The threshold voltage of AMC is VEE+2V. If the CLAMP pin voltage falls below VEE+2V, the gate is short-circuited to the VEE with low resistance.

However, if the power device has lower threshold voltage and bigger Cgd, AMC may be not enough. In that case, apply negative voltage to VEE (min -16.5V) for stronger OFF.

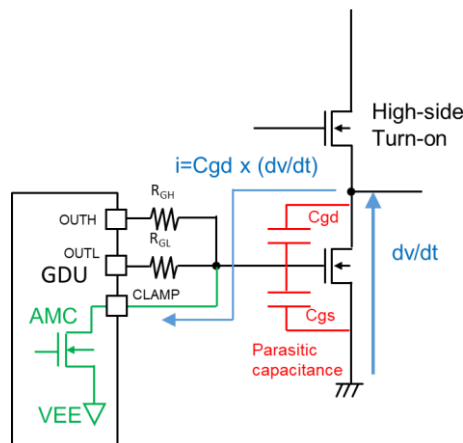


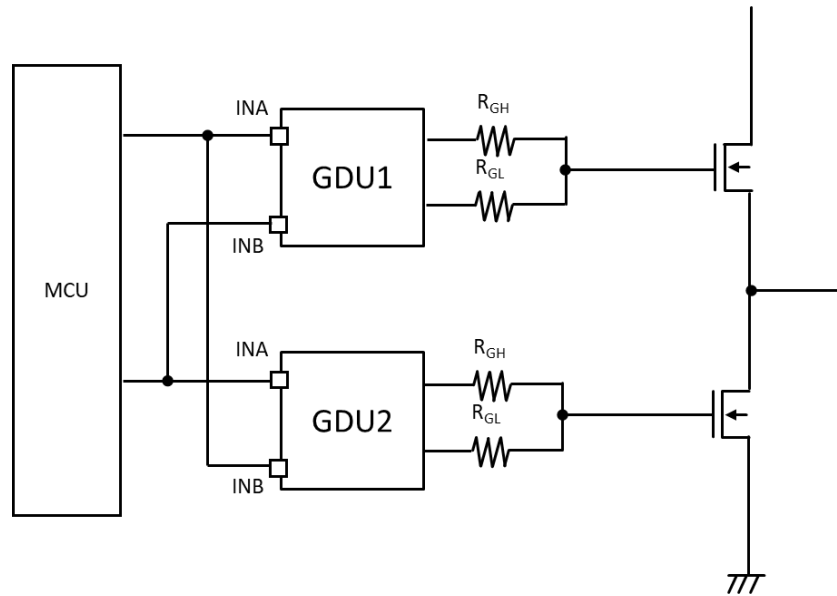
Figure 12. Active Miller Clamp

### 3.5 Shoot through protection consideration

The RAJ2930004AGM features the PWM interlock for INA and INB, which can be used to prevent the phase leg shoot through issue.

As shown in Figure 13, to use the PWM interlock function, INA of GDU1 is connected INB of GDU2.

By this connection, when INA of GDU1 is high, even if high is input into INA of GDU2 by error, it becomes OFF forcibly.



#	INA	INB	OUTH / OUTL	Power device State
1	L	X	L	OFF
2	X	H	L	OFF
3	H	L	H	ON

Figure 13. PWM interlock for a Half Bridge



#### 4. Conclusion

Traction inverter system is indispensable for xEV. To drive IGBT or SiC MOSFET, Gate Driver IC which includes isolation functionality plays an important role in that system. Renesas Gate Driver IC products offer great contribution to inverter systems for its optimization, through the functionality and features. Please visit Renesas.com and if further information is needed, please contact us (<http://www.renesas.com/us/en/contact-us>).

**Revision History**

Revision	Date	Page	Changes
1.00	Feb.26.24		Initial release

## Notice

1. Descriptions of circuits, software and other related information in this document are provided only to illustrate the operation of semiconductor products and application examples. You are fully responsible for the incorporation or any other use of the circuits, software, and information in the design of your product or system. Renesas Electronics disclaims any and all liability for any losses and damages incurred by you or third parties arising from the use of these circuits, software, or information.
2. Renesas Electronics hereby expressly disclaims any warranties against and liability for infringement or any other claims involving patents, copyrights, or other intellectual property rights of third parties, by or arising from the use of Renesas Electronics products or technical information described in this document, including but not limited to, the product data, drawings, charts, programs, algorithms, and application examples.
3. No license, express, implied or otherwise, is granted hereby under any patents, copyrights or other intellectual property rights of Renesas Electronics or others.
4. You shall be responsible for determining what licenses are required from any third parties, and obtaining such licenses for the lawful import, export, manufacture, sales, utilization, distribution or other disposal of any products incorporating Renesas Electronics products, if required.
5. You shall not alter, modify, copy, or reverse engineer any Renesas Electronics product, whether in whole or in part. Renesas Electronics disclaims any and all liability for any losses or damages incurred by you or third parties arising from such alteration, modification, copying or reverse engineering.
6. Renesas Electronics products are classified according to the following two quality grades: "Standard" and "High Quality". The intended applications for each Renesas Electronics product depends on the product's quality grade, as indicated below.
  - "Standard": Computers; office equipment; communications equipment; test and measurement equipment; audio and visual equipment; home electronic appliances; machine tools; personal electronic equipment; industrial robots; etc.
  - "High Quality": Transportation equipment (automobiles, trains, ships, etc.); traffic control (traffic lights); large-scale communication equipment; key financial terminal systems; safety control equipment; etc.

Unless expressly designated as a high reliability product or a product for harsh environments in a Renesas Electronics data sheet or other Renesas Electronics document, Renesas Electronics products are not intended or authorized for use in products or systems that may pose a direct threat to human life or bodily injury (artificial life support devices or systems; surgical implantations; etc.), or may cause serious property damage (space system; undersea repeaters; nuclear power control systems; aircraft control systems; key plant systems; military equipment; etc.). Renesas Electronics disclaims any and all liability for any damages or losses incurred by you or any third parties arising from the use of any Renesas Electronics product that is inconsistent with any Renesas Electronics data sheet, user's manual or other Renesas Electronics document.
7. No semiconductor product is absolutely secure. Notwithstanding any security measures or features that may be implemented in Renesas Electronics hardware or software products, Renesas Electronics shall have absolutely no liability arising out of any vulnerability or security breach, including but not limited to any unauthorized access to or use of a Renesas Electronics product or a system that uses a Renesas Electronics product. RENESAS ELECTRONICS DOES NOT WARRANT OR GUARANTEE THAT RENESAS ELECTRONICS PRODUCTS, OR ANY SYSTEMS CREATED USING RENESAS ELECTRONICS PRODUCTS WILL BE INVULNERABLE OR FREE FROM CORRUPTION, ATTACK, VIRUSES, INTERFERENCE, HACKING, DATA LOSS OR THEFT, OR OTHER SECURITY INTRUSION ("Vulnerability Issues"). RENESAS ELECTRONICS DISCLAIMS ANY AND ALL RESPONSIBILITY OR LIABILITY ARISING FROM OR RELATED TO ANY VULNERABILITY ISSUES. FURTHERMORE, TO THE EXTENT PERMITTED BY APPLICABLE LAW, RENESAS ELECTRONICS DISCLAIMS ANY AND ALL WARRANTIES, EXPRESS OR IMPLIED, WITH RESPECT TO THIS DOCUMENT AND ANY RELATED OR ACCOMPANYING SOFTWARE OR HARDWARE, INCLUDING BUT NOT LIMITED TO THE IMPLIED WARRANTIES OF MERCHANTABILITY, OR FITNESS FOR A PARTICULAR PURPOSE.
8. When using Renesas Electronics products, refer to the latest product information (data sheets, user's manuals, application notes, "General Notes for Handling and Using Semiconductor Devices" in the reliability handbook, etc.), and ensure that usage conditions are within the ranges specified by Renesas Electronics with respect to maximum ratings, operating power supply voltage range, heat dissipation characteristics, installation, etc. Renesas Electronics disclaims any and all liability for any malfunctions, failure or accident arising out of the use of Renesas Electronics products outside of such specified ranges.
9. Although Renesas Electronics endeavors to improve the quality and reliability of Renesas Electronics products, semiconductor products have specific characteristics, such as the occurrence of failure at a certain rate and malfunctions under certain use conditions. Unless designated as a high reliability product or a product for harsh environments in a Renesas Electronics data sheet or other Renesas Electronics document, Renesas Electronics products are not subject to radiation resistance design. You are responsible for implementing safety measures to guard against the possibility of bodily injury, injury or damage caused by fire, and/or danger to the public in the event of a failure or malfunction of Renesas Electronics products, such as safety design for hardware and software, including but not limited to redundancy, fire control and malfunction prevention, appropriate treatment for aging degradation or any other appropriate measures. Because the evaluation of microcomputer software alone is very difficult and impractical, you are responsible for evaluating the safety of the final products or systems manufactured by you.
10. Please contact a Renesas Electronics sales office for details as to environmental matters such as the environmental compatibility of each Renesas Electronics product. You are responsible for carefully and sufficiently investigating applicable laws and regulations that regulate the inclusion or use of controlled substances, including without limitation, the EU RoHS Directive, and using Renesas Electronics products in compliance with all these applicable laws and regulations. Renesas Electronics disclaims any and all liability for damages or losses occurring as a result of your noncompliance with applicable laws and regulations.
11. Renesas Electronics products and technologies shall not be used for or incorporated into any products or systems whose manufacture, use, or sale is prohibited under any applicable domestic or foreign laws or regulations. You shall comply with any applicable export control laws and regulations promulgated and administered by the governments of any countries asserting jurisdiction over the parties or transactions.
12. It is the responsibility of the buyer or distributor of Renesas Electronics products, or any other party who distributes, disposes of, or otherwise sells or transfers the product to a third party, to notify such third party in advance of the contents and conditions set forth in this document.
13. This document shall not be reprinted, reproduced or duplicated in any form, in whole or in part, without prior written consent of Renesas Electronics.
14. Please contact a Renesas Electronics sales office if you have any questions regarding the information contained in this document or Renesas Electronics products.

(Note1) "Renesas Electronics" as used in this document means Renesas Electronics Corporation and also includes its directly or indirectly controlled subsidiaries.

(Note2) "Renesas Electronics product(s)" means any product developed or manufactured by or for Renesas Electronics.

(Rev.5.0-1 October 2020)

## Corporate Headquarters

TOYOSU FORESIA, 3-2-24 Toyosu,  
Koto-ku, Tokyo 135-0061, Japan

[www.renesas.com](http://www.renesas.com)

## Trademarks

Renesas and the Renesas logo are trademarks of Renesas Electronics Corporation. All trademarks and registered trademarks are the property of their respective owners.

## Contact information

For further information on a product, technology, the most up-to-date version of a document, or your nearest sales office, please visit:

[www.renesas.com/contact/](http://www.renesas.com/contact/).