

Application Note

Customized Glucometer using GreenPAK

AN-CM-222

Abstract

This application note shows how to develop a custom glucometer used a [GreenPAK™](#) SLG46580V and SLG88104V.

This application note comes complete with design files which can be found in the References section

Customized Glucometer using GreenPAK

Contents

Abstract	1
Contents	2
Figures.....	2
Tables	2
1 Terms and Definitions.....	3
2 References	3
3 Introduction.....	4
4 Hardware Schematic	4
5 Glucometer Blood Test Strip.....	5
6 GreenPAK Design	5
7 Timing Diagrams	7
8 Comparison and Benefits.....	8
9 Conclusion	8
Revision History	9

Figures

Figure 1: Hardware Schematic.....	4
Figure 2: Glucometer Blood Test Strip	5
Figure 3: GreenPAK Design	6
Figure 4: System signals when $300\text{mv} < \text{ANALOG_IN} < 350\text{mv}$	7
Figure 5: System Signals when $\text{ANALOG_IN} > 400\text{ mv}$	7

Tables

Table 1: Analog Comparator Outputs for Different Glucose Levels.....	6
----------------------------------------------------------------------	---

Customized Glucometer using GreenPAK

1 Terms and Definitions

IC Integrated Circuit

2 References

For related documents and software, please visit:

[GreenPAK™ Programmable Mixed-Signal Products | Renesas](#)

Download our free [GreenPAK Designer](#) software [1] to open the .gp files [2] and view the proposed circuit design. Use the [GreenPAK development tools](#) [3] to freeze the design into your own customized IC in a matter of minutes. Renesas Electronics provides a complete library of application notes [4] featuring design examples as well as explanations of features and blocks within the IC.

- [1] [GreenPAK Designer Software](#), Software Download and User Guide, Renesas Electronics
- [2] [AN-CM-222 Customized Glucometer using GreenPAK.gp](#), [GreenPAK Design File](#), Renesas Electronics
- [3] [GreenPAK Development Tools](#), [GreenPAK Development Tools Webpage](#), Renesas Electronics
- [4] [GreenPAK Application Notes](#), [GreenPAK Application Notes Webpage](#), Renesas Electronics
- [5] [SLG46580V](#), Datasheet, Renesas Electronics
- [6] [SLG88104V](#), Datasheet, Renesas Electronics

Customized Glucometer using GreenPAK

3 Introduction

Glucometers play an important role in managing a diabetic patient's health issues. Typically, the patient inserts a disposable test strip into the meter, pricks their finger, loads a droplet of blood onto the test strip, waits a couple seconds, and then receives a reading of the current blood glucose level.

The designs available on the market today are costly, large, and power inefficient. The design proposed in this app note uses the analog voltage signal generated by a blood drop on a customized Glucometer strip to measure glucose levels. The signal is amplified and fed into a GreenPAK SLG46580V IC. The GreenPAK decodes the voltage signal and compares it with preset thresholds to determine the glucose level.

The glucometer blood test strip used in this design is a typical one available on the market. The GreenPAK design can be easily modified to adjust the threshold levels of different glucose ranges. We've also included Reset and Start functions to make the design more reliable.

Different glucometer blood test strips may have different connections, so be sure to check the connections before implementing this design.

4 Hardware Schematic

The hardware schematic is shown in [Figure 1](#).

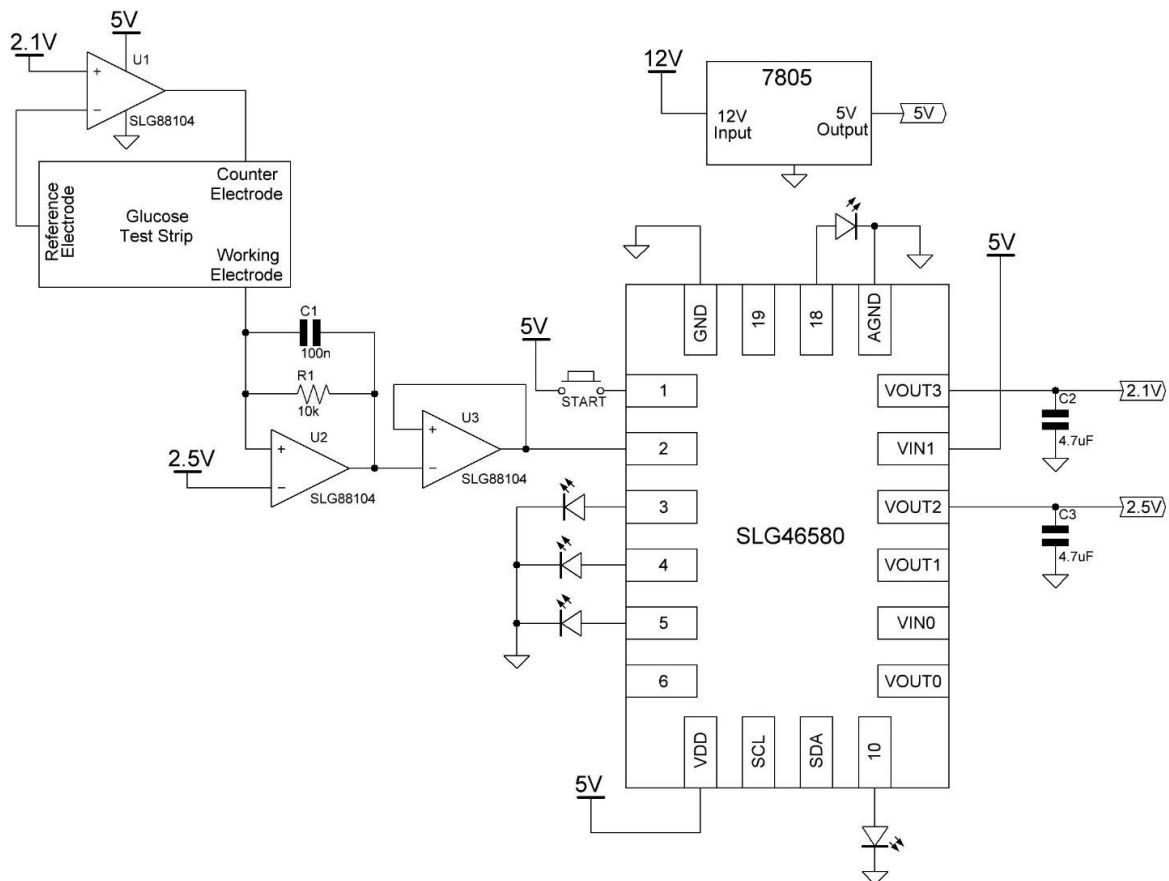


Figure 1: Hardware Schematic

The external 7805 voltage regulator is used to generate +5 V from the +12 V DC Adapter.

When a blood droplet is placed on the glucometer strip, a short circuit is created between the reference electrode and the counter electrode. This allows U1 (SLG88104V) to act as a unity gain amplifier. The output voltage is equal to the input voltage applied at the '+' terminal, i.e., 2.1 V.

Customized Glucometer using GreenPAK

This short results in current flow between the counter electrode (now at 2.1 V) and the working electrode. The magnitude of the current flow is proportional to the glucose level of the blood drop.

The op-amp U2 (SLG88104V) acts as transimpedance amplifier. The output voltage of this amplifier can be calculated with the following formula:

$$V_{OUT} = [\text{Current flow between the Counter and Working electrodes}] * R1$$

The 100 nF capacitor C1 is used to maintain smooth voltage.

Op-amp U3 is another unity gain amplifier which maintains a constant voltage at its output. The purpose of using 2.5 V and 2.1 V in this circuit is to maintain a voltage difference of 400 mV across two of the test strip electrodes. This is necessary for the glucometer to function properly.

The output voltage of op-amp U3 is then fed to the SLG46580V's Pin6, which is configured as an analog input/output.

5 Glucometer Blood Test Strip

A typical glucometer strip is shown in [Figure 2](#). The connections of the test strip are:

- 1 - Reference electrode
- 2 - Counter electrode
- 3 - Working electrode
- 4 and 5 - Test electrodes. These two electrodes are used to detect that the strip is inserted in the slot reserved for the strip. These two electrodes are not necessary for the functioning of the glucometer.

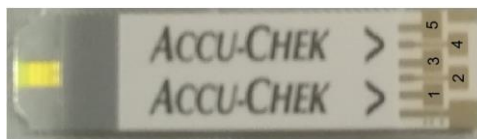


Figure 2: Glucometer Blood Test Strip

The connections may vary for different vendor strips; however, there should always be a reference, counter, and working electrode.

In each test strip, there is an enzyme called glucose oxidase. This enzyme reacts with the glucose in the blood sample and creates gluconic acid.

The gluconic acid then reacts with another chemical in the testing strip, called ferricyanide. The ferricyanide and the gluconic acid combine to create ferrocyanide.

Once the ferrocyanide has been created, current moves through the blood sample on the strip. The level of current allows the GreenPAK to read the level of ferrocyanide and determine how much glucose is in the sample of blood.

The output voltage from the circuit used above will range between 0 and 350 mV for typical glucose levels.

6 GreenPAK Design

The four analog comparators (ACMPs) are used to determine the voltage of the ANALOG_IN signal received at Pin2. This design has 5 possible glucose levels, and each level corresponds to a particular voltage range. The table below gives the analog voltage ranges for each of the glucose levels.

Customized Glucometer using GreenPAK

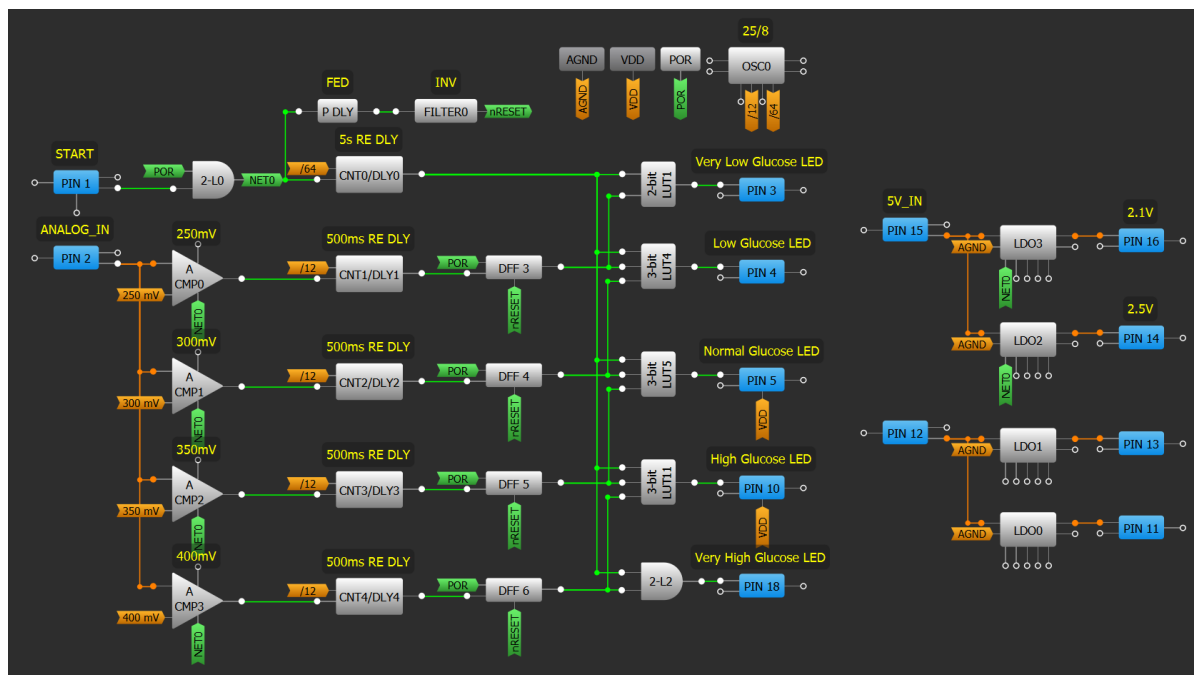


Figure 3: GreenPAK Design

Table 1: Analog Comparator Outputs for Different Glucose Levels

Sr. No	Analog Voltage Range (mV)	Glucose Level	Glucose Level in mmol / L	ACMP0 Output	ACMP1 Output	ACMP2 Output	ACMP3 Output
1.	$0 \leq V < 250$	Very Low	0 to 4	Low	Low	Low	Low
2.	$250 \leq V < 300$	Low	4 to 5	High	Low	Low	Low
3.	$300 \leq V < 350$	Normal	5 to 6	High	High	Low	Low
4.	$350 \leq V < 400$	High	6 to 7.5	High	High	High	Low
5.	$V \geq 400$	Very High	above 7.5	High	High	High	High

To prevent false readings, we included several 500 ms delay blocks between the ACMPs and the rest of the circuit. These delays will help filter out any spurious signals. The sensitivity of the glucometer can be varied by varying the delay time of these delay blocks.

Since the voltage received at ANALOG_IN (Pin2) is the result of current flowing between the counter electrode and the working electrode on the test strip, the current will only last for a short period of time and may disappear quickly. In order to hold the voltages for a longer period, we used capacitor C1. However, even with the capacitor, the voltage will dissipate, causing all of the ACMPs to be LOW. To save the ANALOG_IN voltage value, we used 4 DFFs to store the analog voltage range information at the output of the 4 delay blocks.

To reduce power consumption, each ACMP is only powered on once the ANALOG_IN voltage is high enough for the next ACMP to be required. For instance, if the ANALOG_IN voltage is 325 mV and the START input goes HIGH, ACMP0 will be turned on immediately so that it can determine whether ANALOG_IN is greater than 250 mV.

Since $ANALOG_IN > 250$ mV, after 500 ms CNT1/DLY1 will go HIGH, which will clock DFF3 and power on ACMP1. ACMP1 will now check whether ANALOG_IN is greater than 300 mV. Again, since it is greater than 300 mV, in 500 ms the output of CNT2/DLY2 goes HIGH, which clocks DFF4 and powers on ACMP2.

At this point $ANALOG_IN < 350$ mV, so ACMP2 will stay LOW, meaning that DFF5 and DFF6 will both stay LOW.

Customized Glucometer using GreenPAK

Once 5 seconds has elapsed from the time that the START signal went HIGH, CNT0/DLY0 will go HIGH. This signal, as well as the DFF outputs, are connected to Look-Up Tables (LUTs), either 2-bit or 3-bit. These LUTs resolve which LED should be lit to indicate the level of glucose.

When the START signal goes LOW, a short reset pulse is triggered using the PDLY as a falling edge detector along with inverter FILTER0. This short, active-low pulse will reset the four DFFs. This will consequently power off all of the ACMPs, and ready the system to take another reading.

7 Timing Diagrams

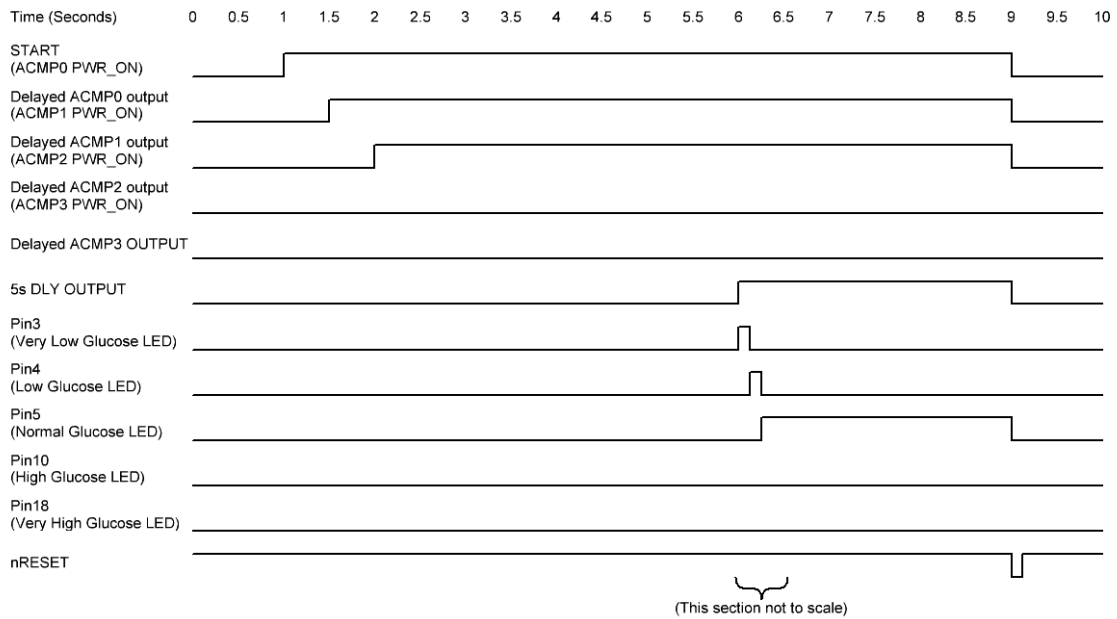


Figure 4: System signals when 300mv < ANALOG_IN < 350mv

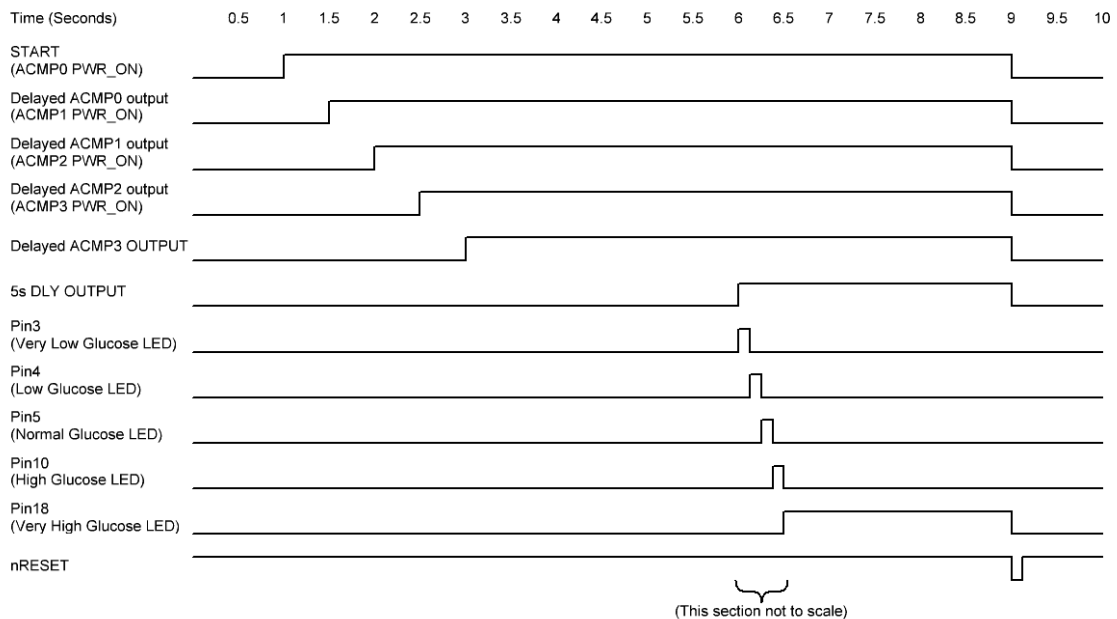


Figure 5: System Signals when ANALOG_IN > 400 mv

Customized Glucometer using GreenPAK

8 Comparison and Benefits

Compared to a typical glucometer, this GreenPAK-based Glucometer is smaller, less expensive, and more energy efficient. The design could easily be modified for patients with Type-1 or Type-2 diabetes.

9 Conclusion

In this application note, GreenPAK SLG46580V and SLG88104V was used to develop a custom glucometer. The concepts used in the app note could be modified to fit other medical applications. Thanks to their small size and low energy consumption, Renesas GreenPAK products make it possible for this design to be portable and energy efficient.

Customized Glucometer using GreenPAK**Revision History**

Revision	Date	Description
1.0	26-Feb-2018	Initial version.

IMPORTANT NOTICE AND DISCLAIMER

RENESAS ELECTRONICS CORPORATION AND ITS SUBSIDIARIES (“RENESAS”) PROVIDES TECHNICAL SPECIFICATIONS AND RELIABILITY DATA (INCLUDING DATASHEETS), DESIGN RESOURCES (INCLUDING REFERENCE DESIGNS), APPLICATION OR OTHER DESIGN ADVICE, WEB TOOLS, SAFETY INFORMATION, AND OTHER RESOURCES “AS IS” AND WITH ALL FAULTS, AND DISCLAIMS ALL WARRANTIES, EXPRESS OR IMPLIED, INCLUDING, WITHOUT LIMITATION, ANY IMPLIED WARRANTIES OF MERCHANTABILITY, FITNESS FOR A PARTICULAR PURPOSE, OR NON-INFRINGEMENT OF THIRD-PARTY INTELLECTUAL PROPERTY RIGHTS.

These resources are intended for developers who are designing with Renesas products. You are solely responsible for (1) selecting the appropriate products for your application, (2) designing, validating, and testing your application, and (3) ensuring your application meets applicable standards, and any other safety, security, or other requirements. These resources are subject to change without notice. Renesas grants you permission to use these resources only to develop an application that uses Renesas products. Other reproduction or use of these resources is strictly prohibited. No license is granted to any other Renesas intellectual property or to any third-party intellectual property. Renesas disclaims responsibility for, and you will fully indemnify Renesas and its representatives against, any claims, damages, costs, losses, or liabilities arising from your use of these resources. Renesas' products are provided only subject to Renesas' Terms and Conditions of Sale or other applicable terms agreed to in writing. No use of any Renesas resources expands or otherwise alters any applicable warranties or warranty disclaimers for these products.

(Disclaimer Rev.1.01 Jan 2024)

Corporate Headquarters

TOYOSU FORESIA, 3-2-24 Toyosu,
Koto-ku, Tokyo 135-0061, Japan
www.renesas.com

Trademarks

Renesas and the Renesas logo are trademarks of Renesas Electronics Corporation. All trademarks and registered trademarks are the property of their respective owners.

Contact Information

For further information on a product, technology, the most up-to-date version of a document, or your nearest sales office, please visit www.renesas.com/contact-us/.