

Suntan Monitor  
SLG47513

**Introduction**

This application note describes how to use SLG47513 to implement a suntan monitor to control ultraviolet radiation and prevent its negative effect.

**Related Documents**

For related documents and software, please visit:

<https://www.renesas.com/eu/en/products/programmable-mixed-signal-asic-ip-products/greenpak-programmable-mixed-signal-products/other-greenpaks/slg47513-greenpak-programmable-mixed-signal-matrix>

Download our free GreenPAK Designer software [1] to open the .gp files [2] and view the proposed circuit design. Use the GreenPAK development tools [3] to freeze the design into your own customized IC in a matter of minutes. Find out more in a complete library of application notes [4] featuring design examples as well as explanations of features and blocks within the GreenPAK IC.

- [1] [GreenPAK Designer Software](#), Software Download and User Guide
- [2] [AN-CM-343 Suntan Monitor.gp6](#), GreenPAK Design File, Renesas Electronics
- [3] [GreenPAK Development Tools](#), GreenPAK Development Tools Webpage
- [4] [GreenPAK Application Notes](#), GreenPAK Application Notes Webpage

**Contents**

|                             |   |
|-----------------------------|---|
| 1. Introduction .....       | 1 |
| 2. GreenPAK Design .....    | 2 |
| 3. Project Simulation ..... | 5 |
| 4. Conclusions .....        | 6 |
| 5. Revision History .....   | 7 |

**1. Introduction**

It is known that the sun is important for the human body because it promotes the production of vitamin D. Additionally, sunlight has an antibacterial effect, but it can also harm the body when it gets too much of it.

Sunbeams are electromagnetic oscillations of different wavelengths. On the electromagnetic spectrum, UV light has shorter wavelengths than visible light, so the eyes can't see UV, but the skin can feel it (see [Figure 1](#)).

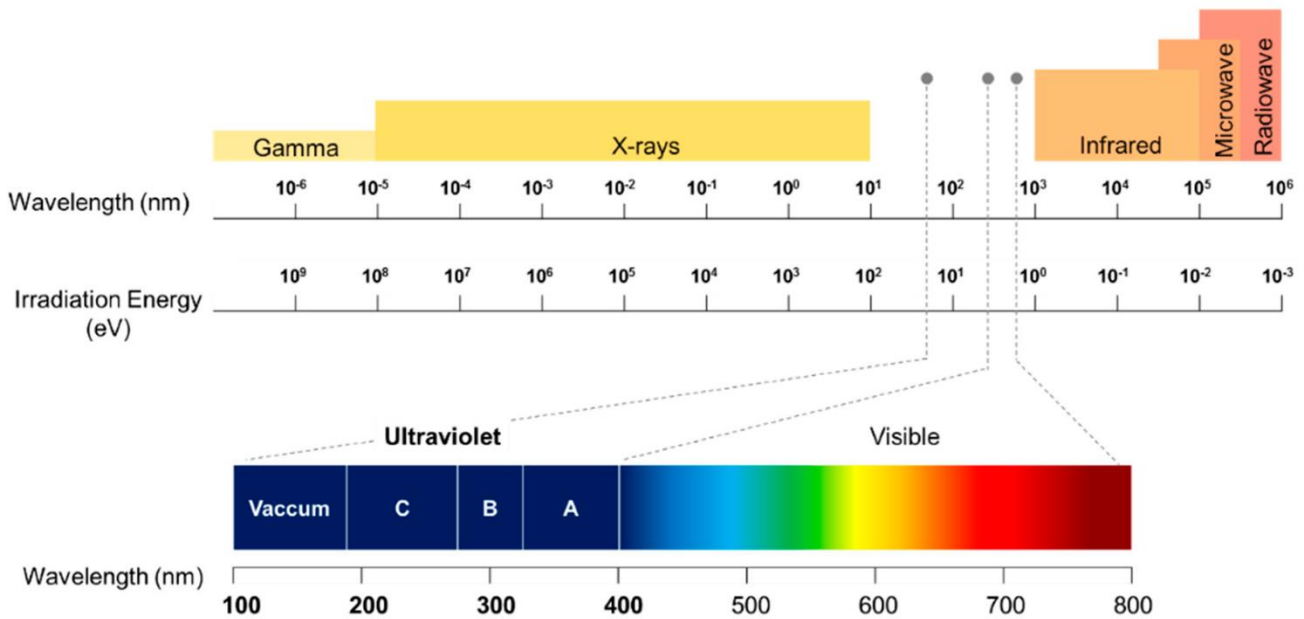


Figure 1. Ultraviolet Light Spectrum

Image Source: Khan, Sulaiman, et al. "Gas Detection Using Portable Deep-UV Absorption Spectrophotometry: A Review." *Sensors*, vol. 19, no. 23, 28 Nov. 2019, p. 5210, 10.3390/s19235210. Accessed 18 May 2020.

UVA – the most common UV ray from the sun and the most dangerous; UVA can penetrate the skin down to the middle layer.

UVB – a shorter wavelength than UVA that can only penetrate the skin to the top layer. Some UVB rays are stopped by the Earth's ozone layer; also, they can be stopped by the treated glass.

UVC – all UVC rays from the sun are stopped by the ozone layer; therefore, the only exposure humans get to UVC is from artificial sources such as lasers or welding torches.

It follows that to minimize the risk of ultraviolet light, there is a need to limit the exposure of UVB and UVA radiation to the body. A UV photodiode with a respective spectral detection range can be used to measure the degree of exposure.

In this application a cheap UV Photodiode GUA-S12SD with short-circuit current  $I_{sc}=125$  ns was used. Please note that for good performance a photodiode with a large photocell area and high photocurrent must be used. This eliminates the effect of leakage current.

The task is to inform a sunbather when to turn over (or to go home) after having received the desired accumulated dose of sunlight, using a photodiode's current (which is proportional to suntanning intensity) as an input.

## 2. GreenPAK Design

In this project the SLG47513 was used. Its main feature is a low operation voltage (from 1.0 V to 1.65 V) that allows to power a project from a 1.5 V battery or even a solar cell. Furthermore, the measured current consumption of the device is maximum 30  $\mu$ A, which ensures the long-term operation from the battery.

The idea is to use the photocurrent to ramp the voltage on a capacitor, then use an analog comparator to trigger a short discharge pulse on an open-drain digital output pin. This generates a sawtooth, which frequency is proportional to the light intensity. A counter integrates this by simply counting cycles and causing the sounding of the buzzer when the counter reaches its counter data.

Figure 2 shows the basic idea of that design on the SLG47513 and Figure 3 shows an internal design of the project in GreenPAK Designer software.

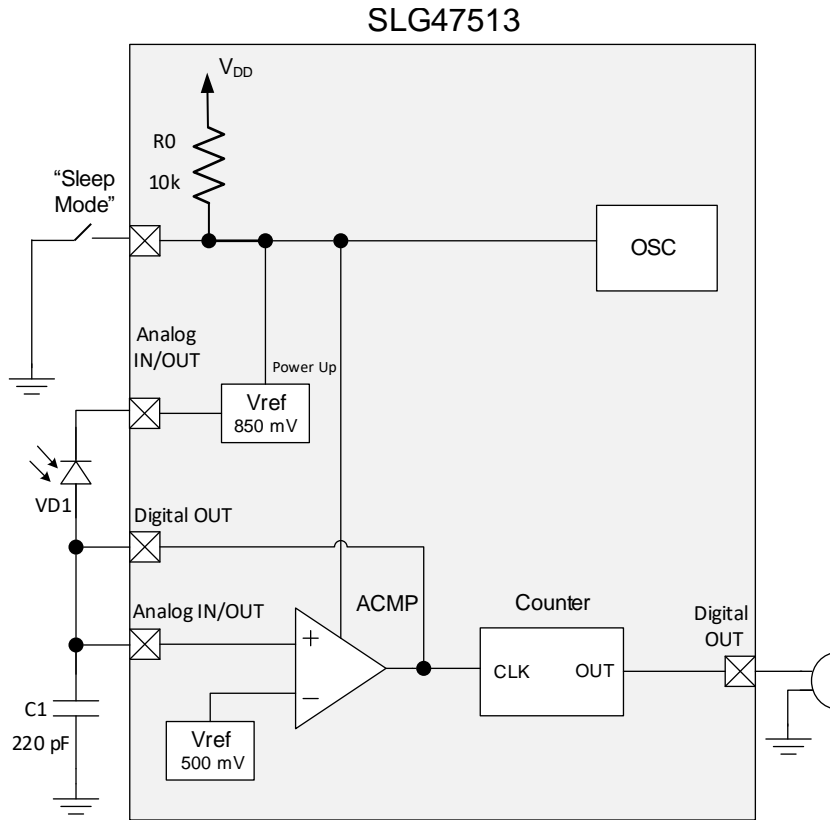


Figure 2. Basic Design of Suntan Monitor Based on SLG47513

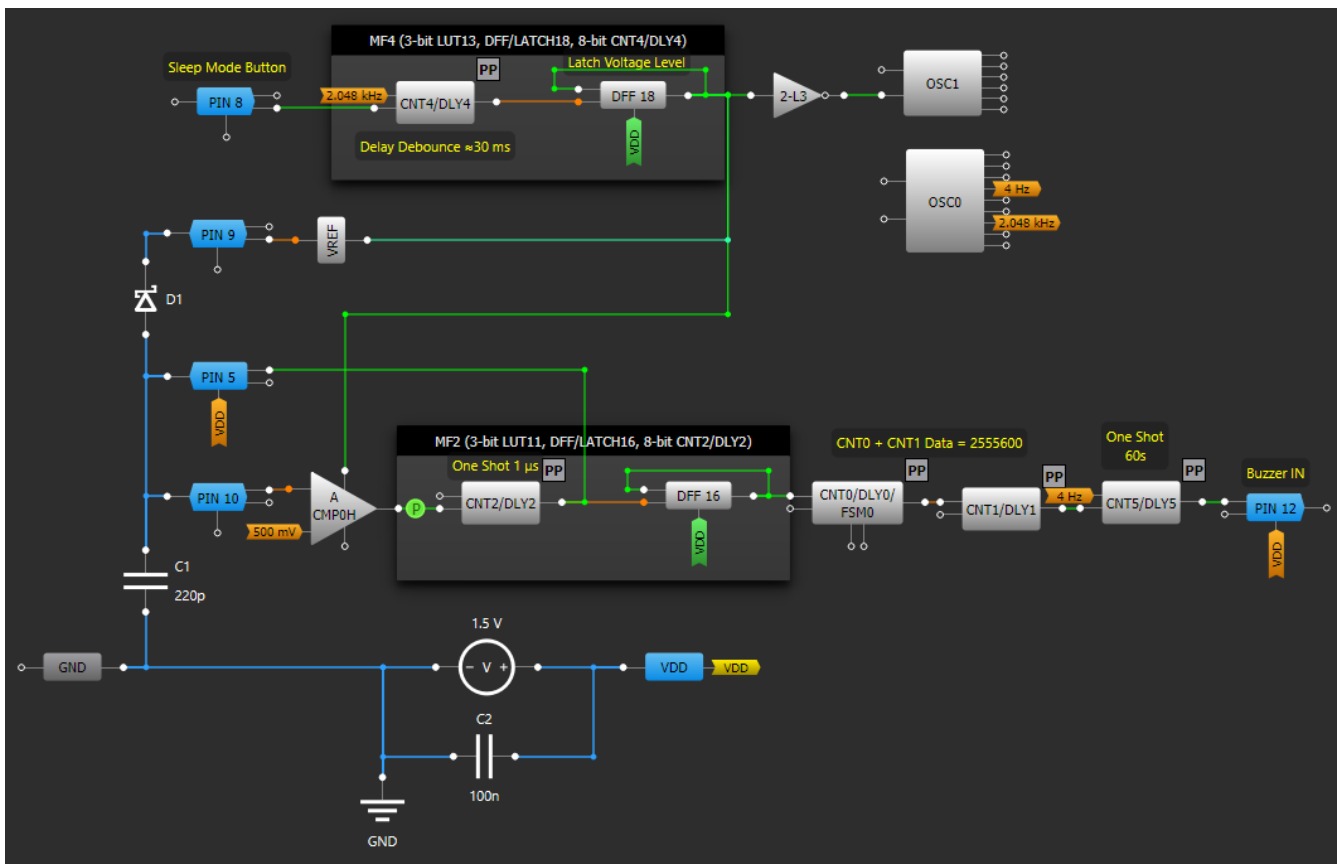


Figure 3 GreenPAK Designer Schematic

## Suntan Monitor Application Note

The ACMP0 output signal is too short (around 80 ns) and it causes an unstable response. To eliminate this a One Shot with an inverting output was used to form a signal with a duration of 1  $\mu$ s and a correct polarity. A DFF is designed to latch the One Shot's output signal. The DFF output signal has twice the input signal frequency.

After debugging, a capacitor value of  $C = 220$  pF was selected. Please note that a capacitor with low leakage (film capacitor or NP0 ceramic capacitor) must be used.

The measured positive-going ramp signal is  $V = 0.2$  V and the sawtooth frequency at maximum photodiode current is:

$$f = \frac{I_{sc}}{CV} = 2840 \text{ Hz}$$

CNT0 and CNT1 are designed to set 30 min full-sunlight equivalent dose. When a person is in the sun for 30 minutes at maximum light intensity a piezo buzzer beeps. It follows that the counters should count to  $(2840/2) * 30 * 60 = 2556000$ . Counter blocks can be chained together for a longer counted time. In this case, 16-bit CNT0 data was set to its maximum value of 65535, and 8-bit CNT1 data should be equal to:

$$\text{CNT1 data} = 2556000/65535 = 39$$

The second One Shot provides a signal sound for a minute as a short beep may be missed. A short beep sounds when the device wakes from sleep mode (after pressing a button).

Waveforms for the suntan monitor are shown in [Figure 4](#) and [Figure 5](#) (at temperate climate and around June solstice).

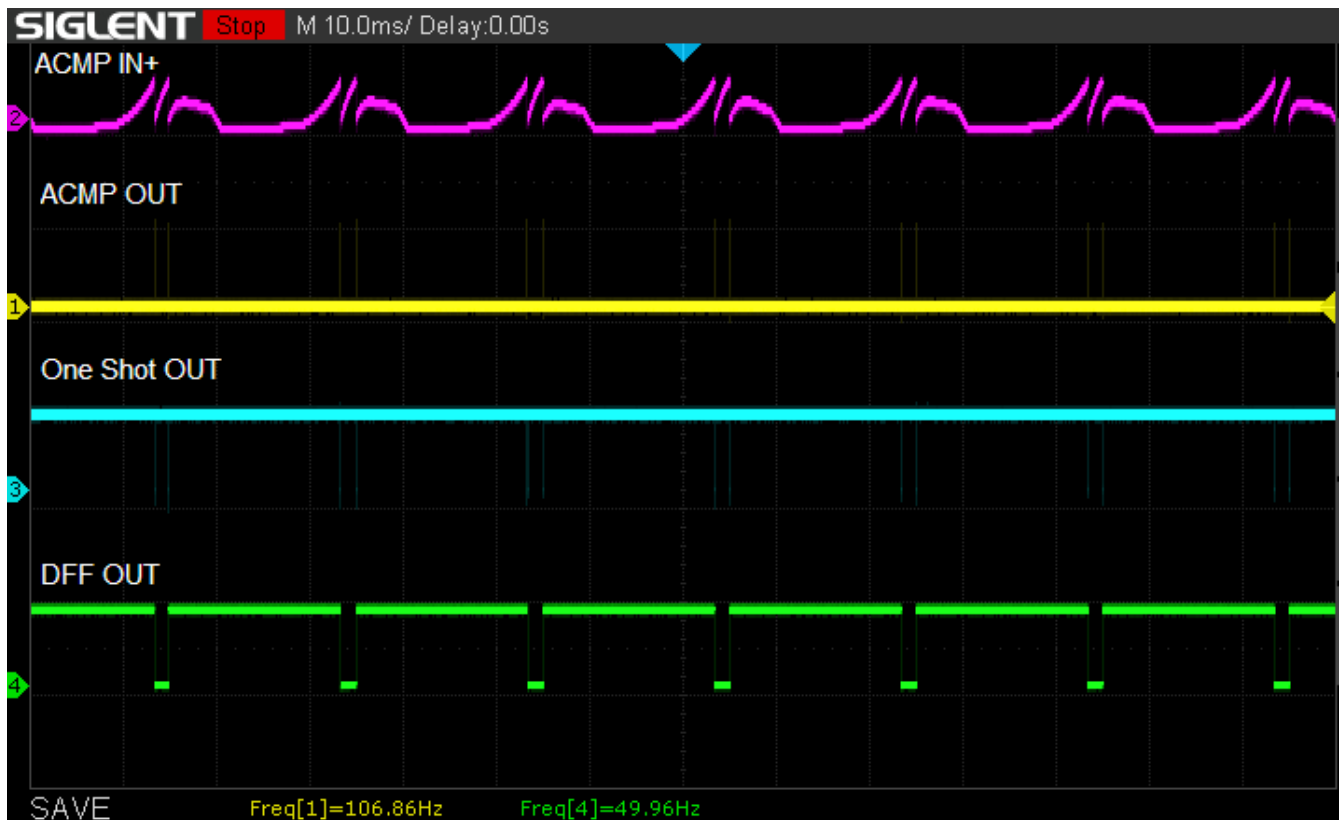


Figure 4 Suntan Monitor Waveforms in Hazy Sunlight

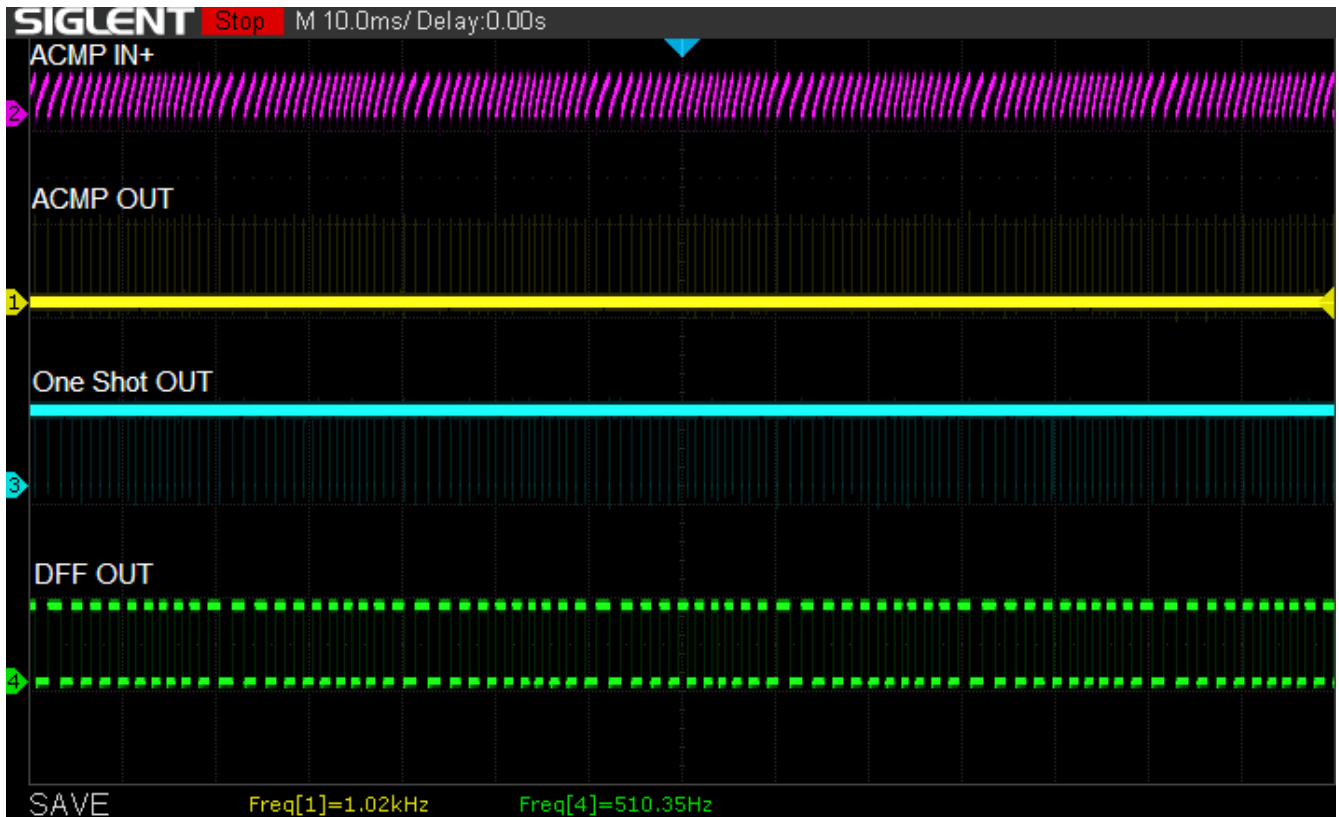


Figure 5 Suntan Monitor Waveforms in Intense Sunlight

To turn on the device, instead of dimensional toggle switches, a miniature button was used. The button allows to switch between two modes: working mode and sleep mode. In the second mode, all analog blocks are disabled and the device consumes little power. However, OSC0 couldn't be disabled because it must be used as a clock signal for debounce delay. But it is not an issue because OSC0 consumes only about 1  $\mu$ A.

### 3. Project Simulation

The project was simulated in GreenPAK Designer Software Simulation Tool. 10 nA current source was used instead of UV photodiode because there is no photodiode model in the software. Figure 6 shows waveforms for the sawtooth generator part of the project. The current source eliminates the distortion caused by some features of photodiodes.

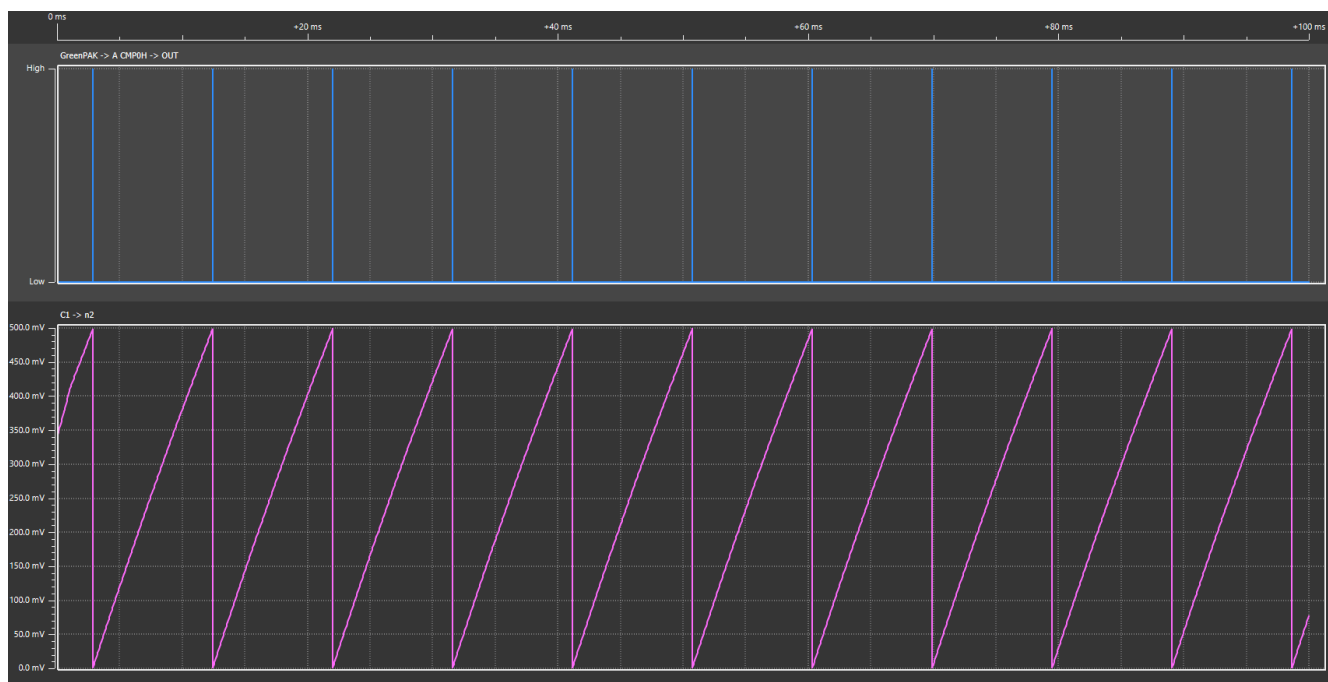


Figure 6 Simulation Waveforms of Sawtooth Generator Part of the Project (with 10 nA Current Source)

## 4. Conclusions

The SLG47513 is a low voltage GreenPAK IC. Low voltage operation allows supplying a project from just one 1.5 V battery and a sufficient number of digital and analog macrocells allows the implementation of myriad useful applications. In this application note, these qualities were demonstrated in the example of the suntan monitor, where a combination of analog and digital blocks allowed to evaluate the level of ultraviolet exposure and prevent its negative effect on the skin. Low supply voltage makes it possible to power a device even from a solar battery, which makes the device even more energy efficient.

## 5. Revision History

| Revision | Date         | Description      |
|----------|--------------|------------------|
| 1.00     | Aug 11, 2022 | Initial release. |

## IMPORTANT NOTICE AND DISCLAIMER

RENESAS ELECTRONICS CORPORATION AND ITS SUBSIDIARIES (“RENESAS”) PROVIDES TECHNICAL SPECIFICATIONS AND RELIABILITY DATA (INCLUDING DATASHEETS), DESIGN RESOURCES (INCLUDING REFERENCE DESIGNS), APPLICATION OR OTHER DESIGN ADVICE, WEB TOOLS, SAFETY INFORMATION, AND OTHER RESOURCES “AS IS” AND WITH ALL FAULTS, AND DISCLAIMS ALL WARRANTIES, EXPRESS OR IMPLIED, INCLUDING, WITHOUT LIMITATION, ANY IMPLIED WARRANTIES OF MERCHANTABILITY, FITNESS FOR A PARTICULAR PURPOSE, OR NON-INFRINGEMENT OF THIRD-PARTY INTELLECTUAL PROPERTY RIGHTS.

These resources are intended for developers who are designing with Renesas products. You are solely responsible for (1) selecting the appropriate products for your application, (2) designing, validating, and testing your application, and (3) ensuring your application meets applicable standards, and any other safety, security, or other requirements. These resources are subject to change without notice. Renesas grants you permission to use these resources only to develop an application that uses Renesas products. Other reproduction or use of these resources is strictly prohibited. No license is granted to any other Renesas intellectual property or to any third-party intellectual property. Renesas disclaims responsibility for, and you will fully indemnify Renesas and its representatives against, any claims, damages, costs, losses, or liabilities arising from your use of these resources. Renesas' products are provided only subject to Renesas' Terms and Conditions of Sale or other applicable terms agreed to in writing. No use of any Renesas resources expands or otherwise alters any applicable warranties or warranty disclaimers for these products.

(Disclaimer Rev.1.01)

### Corporate Headquarters

TOYOSU FORESIA, 3-2-24 Toyosu,  
Koto-ku, Tokyo 135-0061, Japan  
[www.renesas.com](http://www.renesas.com)

### Trademarks

Renesas and the Renesas logo are trademarks of Renesas Electronics Corporation. All trademarks and registered trademarks are the property of their respective owners.

### Contact Information

For further information on a product, technology, the most up-to-date version of a document, or your nearest sales office, please visit [www.renesas.com/contact-us/](http://www.renesas.com/contact-us/).