

# DIFFERENCES BETWEEN RX PRODUCTS REV.5.10

2024.10.22

# NOTE

---

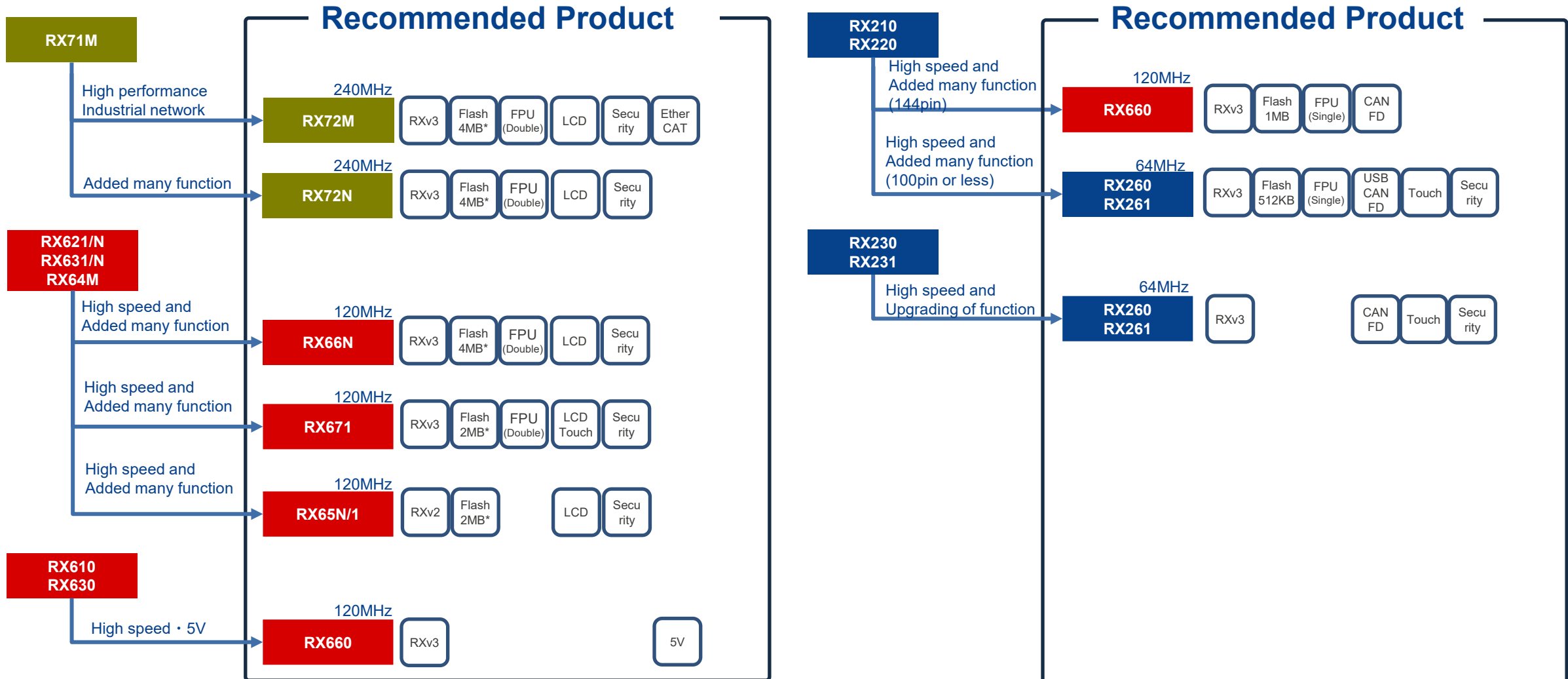
- This document contains the following two types of information.

- 1) RX Product Replace MAP: Introduces new products that are recommended when replacing RX products from the previous generation. .... P3~P4
- 2) Differences between RX product: We have prepared a document summarizing the differences in functions between each RX product. Click the number in the red frame to open that document.
  - Between RX600 series , Between RX700 series, Between RX600 series and RX700 series ..... P5
  - Between RX100 series , Between RX200 series ..... P6
  - Between RX-E series ..... P7
  - Between RX-T series ..... P8
  - Between RX600/700 series and RX100/200 series and RX-T series ..... P9

# RX PRODUCT REPLACE MAP

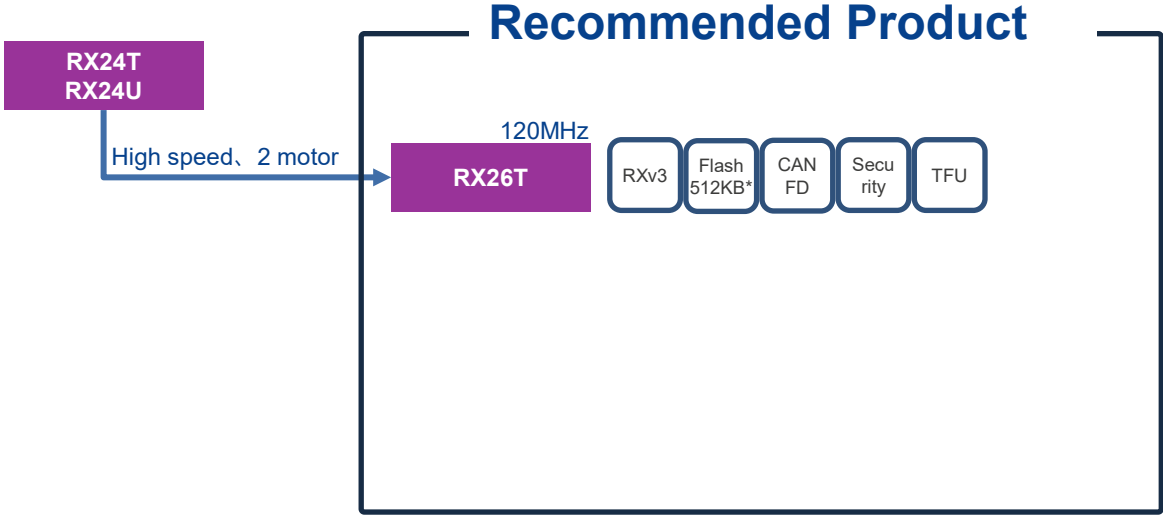
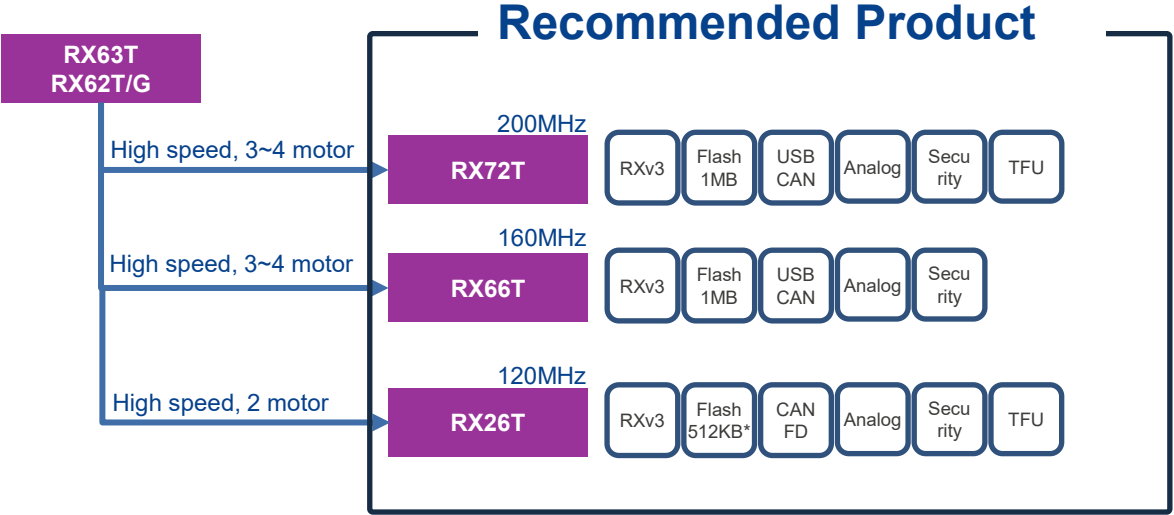
 : Enhancement point

\* Dual Bank Support



# RX PRODUCT REPLACE MAP

 : Enhancement point  
 \* Dual Bank Support

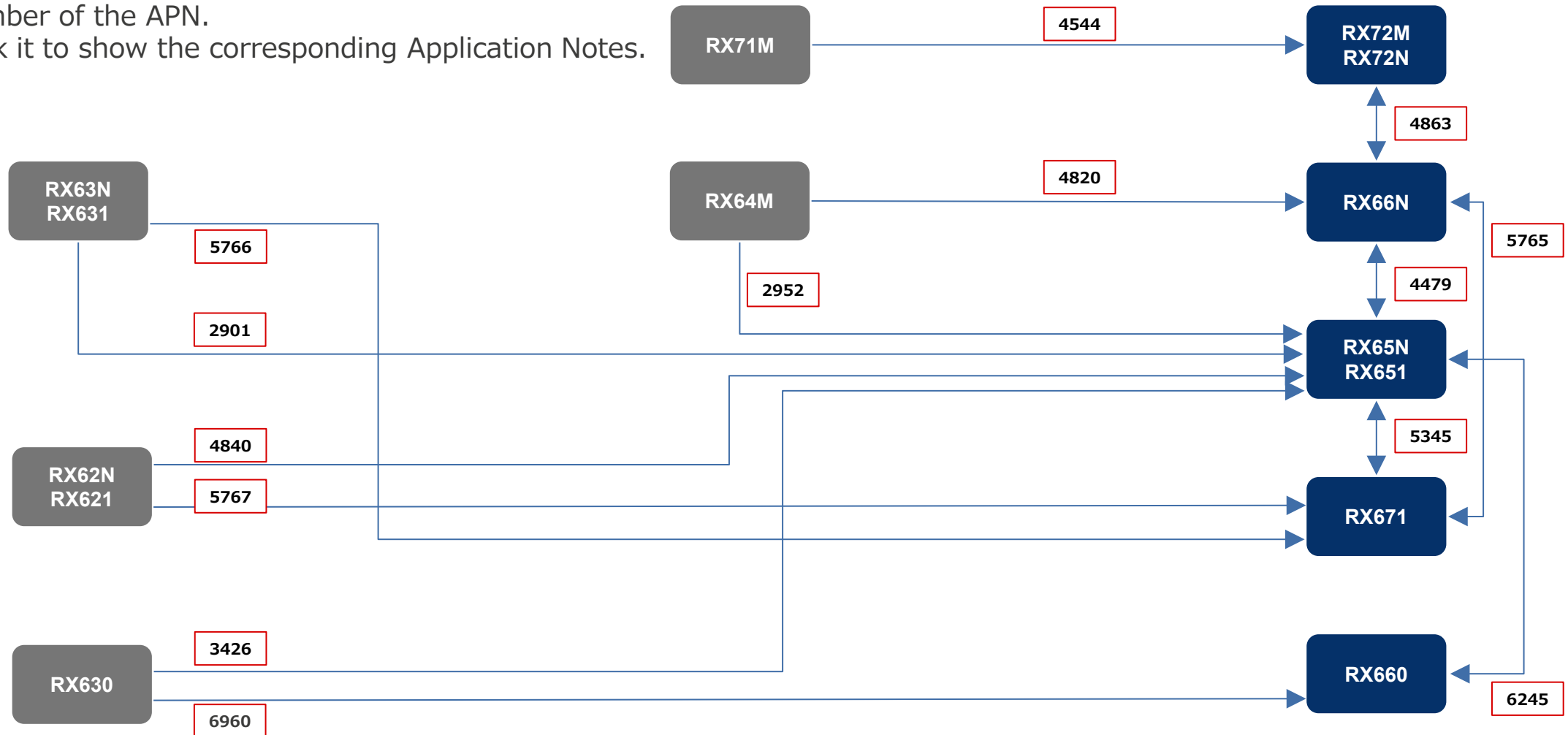


# LINKS TO DIFFERENCES APPLICATION NOTES BETWEEN RX PRODUCTS (GENERAL-PURPOSE ~ RX600 RX700~)

● New

■ 1<sup>st</sup> generation products ■ Recommended products

The number in the red box indicates the document number of the APN.  
Click it to show the corresponding Application Notes.

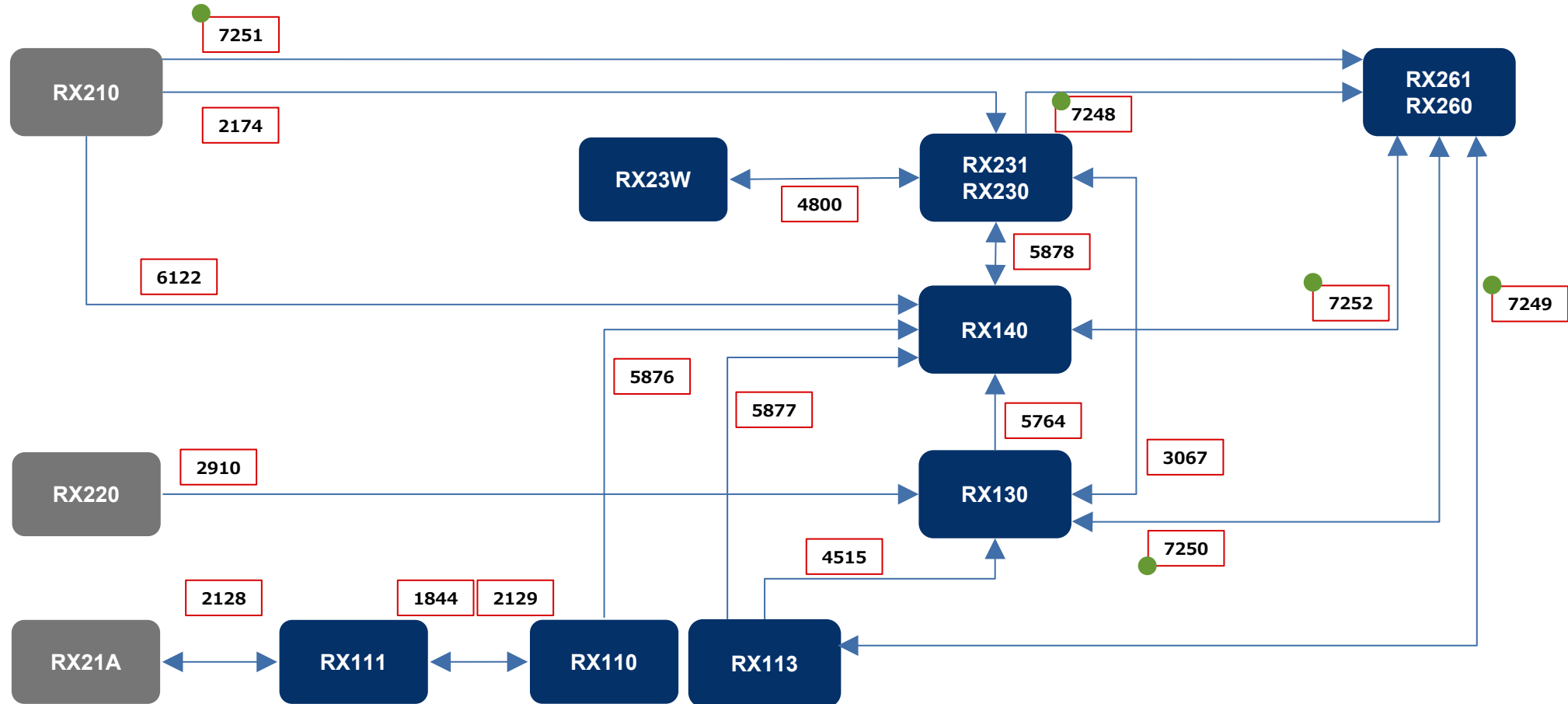


# LINKS TO DIFFERENCES APPLICATION NOTES BETWEEN RX PRODUCTS (GENERAL-PURPOSE ~RX100 RX200 ~)

● New

■ 1st generation products ■ Recommended products

The number in the red box indicates the document number of the APN.  
Click it to show the corresponding Application Notes.



# LINKS TO DIFFERENCES APPLICATION NOTES BETWEEN RX PRODUCTS (RX-E)

● New

■ 1<sup>st</sup> generation products ■ Recommended products

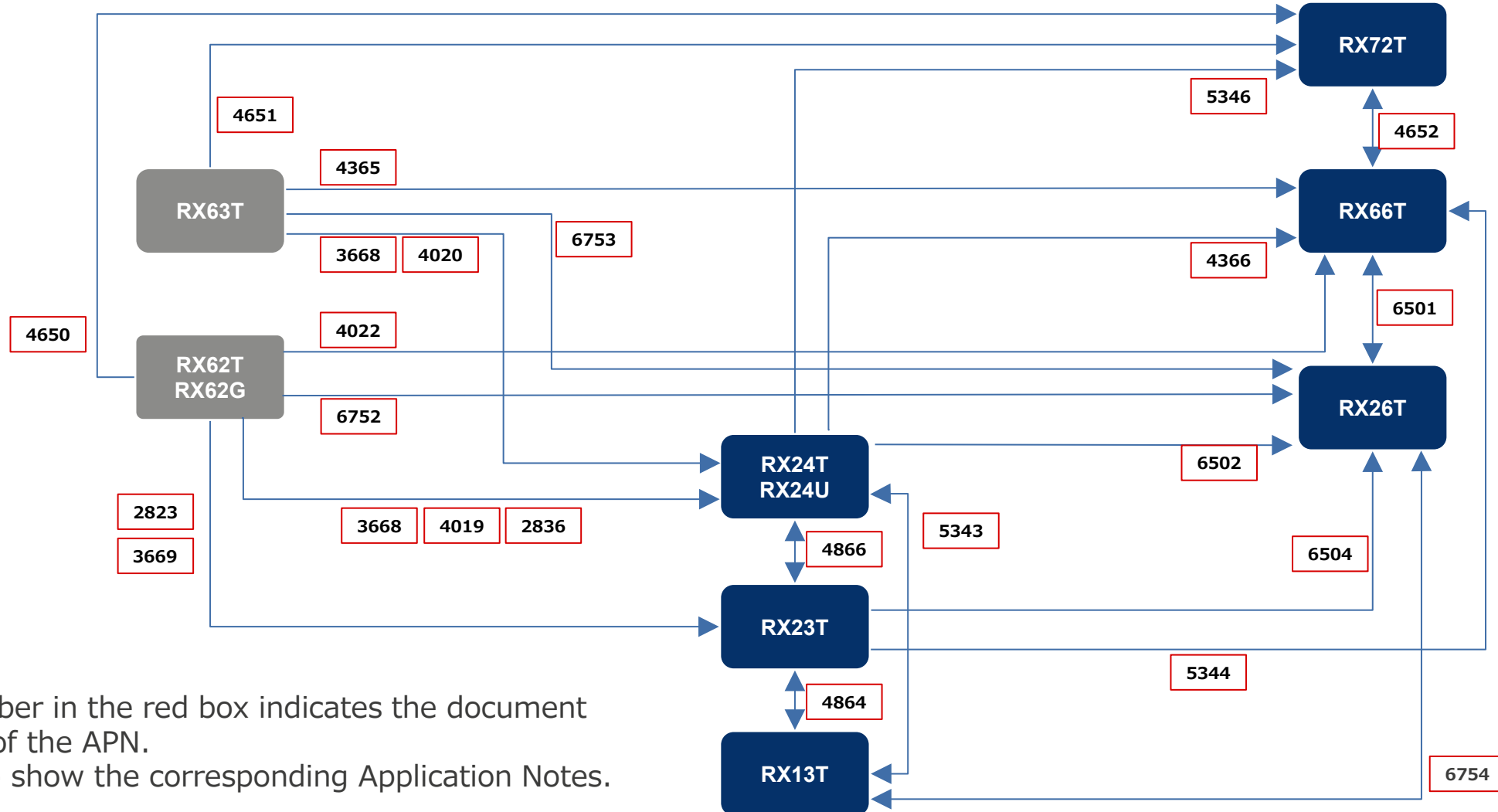
The number in the red box indicates the document number of the APN.  
Click it to show the corresponding Application Notes.



# LINKS TO DIFFERENCES APPLICATION NOTES BETWEEN RX PRODUCTS (RX-T)

● New

■ 1<sup>st</sup> generation products ■ Recommended products



The number in the red box indicates the document number of the APN.  
Click it to show the corresponding Application Notes.

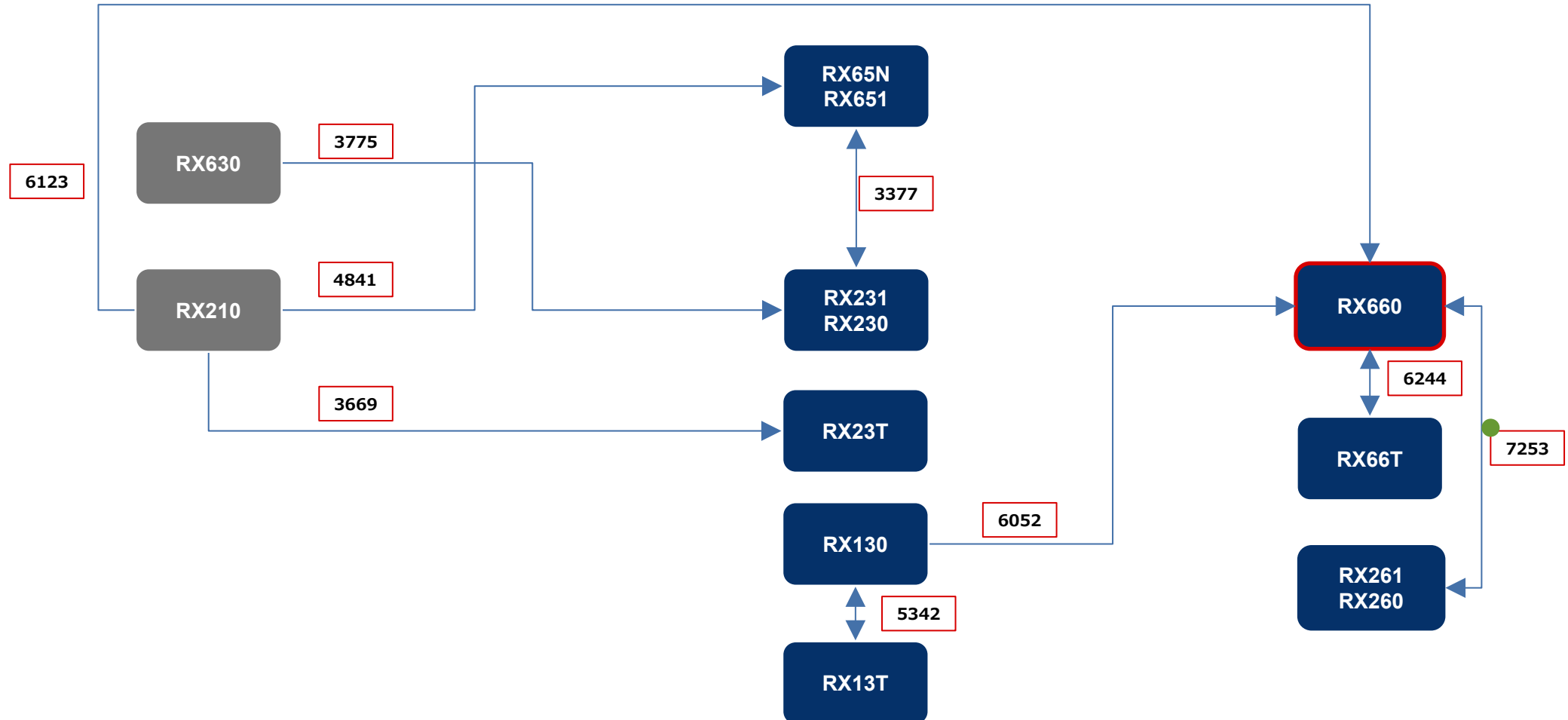


# LINKS TO DIFFERENCES APPLICATION NOTES BETWEEN RX PRODUCTS (GENERAL-PURPOSE RX100/200 ,RX600/700, RX-T)

● New

■ 1<sup>st</sup> generation products ■ Recommended products

The number in the red box indicates the document number of the APN.  
Click it to show the corresponding Application Notes.



---

**BIG IDEAS FOR EVERY SPACE**

# LINKS TO DIFFERENCES APPLICATION NOTES BETWEEN RX PRODUCTS (GENERAL-PURPOSE PRODUCTS)

● New

■ 1<sup>st</sup> generation products ■ Recommended products

The number in the red box indicates the document number of the APN.  
Click it to show the corresponding Application Notes.

