



ISL81806 4-PHASE INTERLEAVE PARALLEL WITH COUPLED INDUCTOR 48VIN/12VOUT/1000W

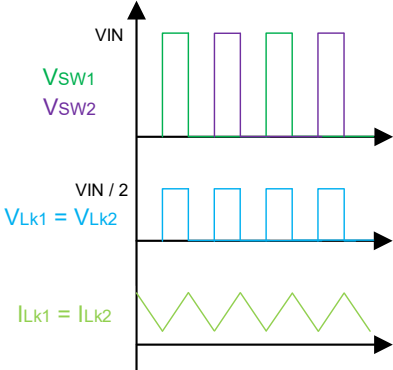
Teny Xu
teny.xu.xm@renesas.com
3/6/2024

ISL81806 4-PHASE INTERLEAVE PARALLEL WITH COUPLED INDUCTOR

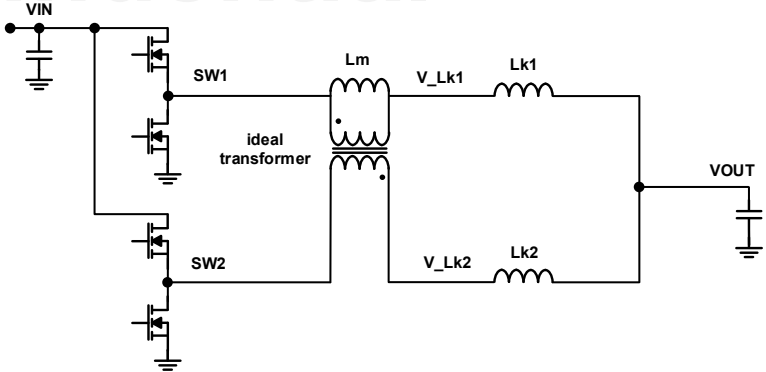
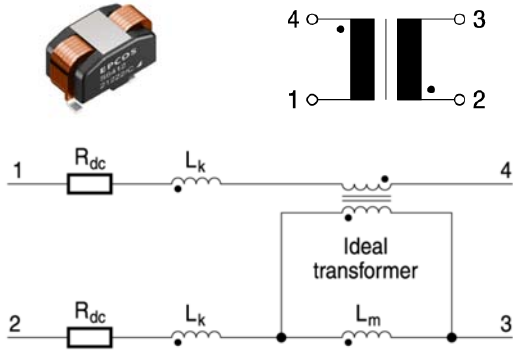
48VIN/12VOUT/1000W

❑ Design SPEC:

- 4-Phase(2*ISL81806) 90° interleaving Buck with GaN
- Each phase 1U1L with GaN: EPC2088
- Inductor: TDK-B82559S6412M023
- Fs: 160kHz
- Shunt: 2mΩ
- Board size: 23*54*17mm

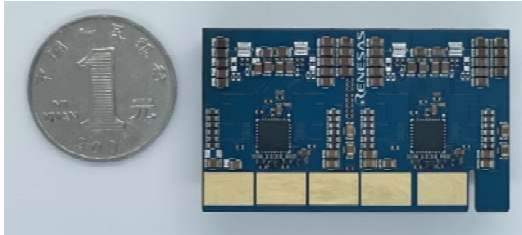
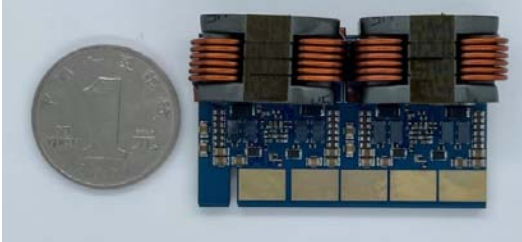
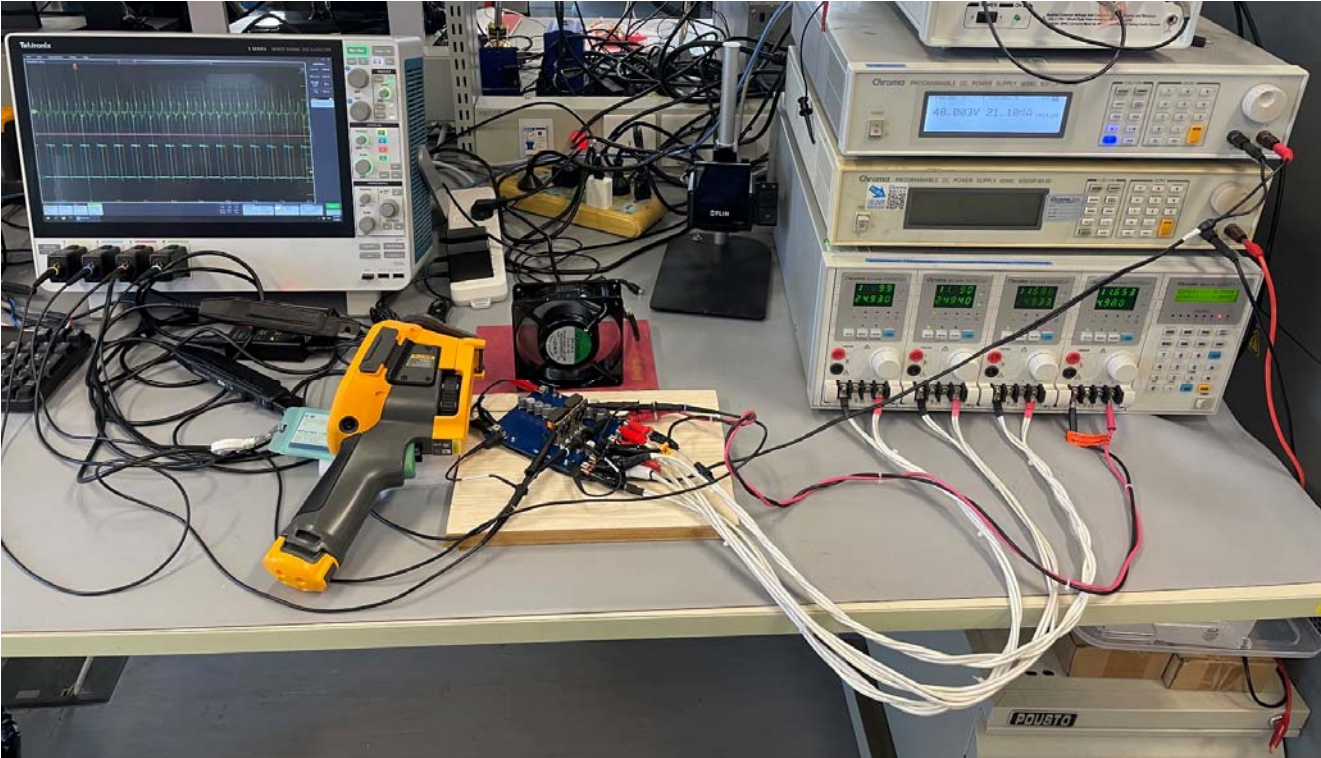


❑ Couple inductor equivalent circuit:



ISL81806 4-PHASE INTERLEAVE PARALLEL TEST SETUP:

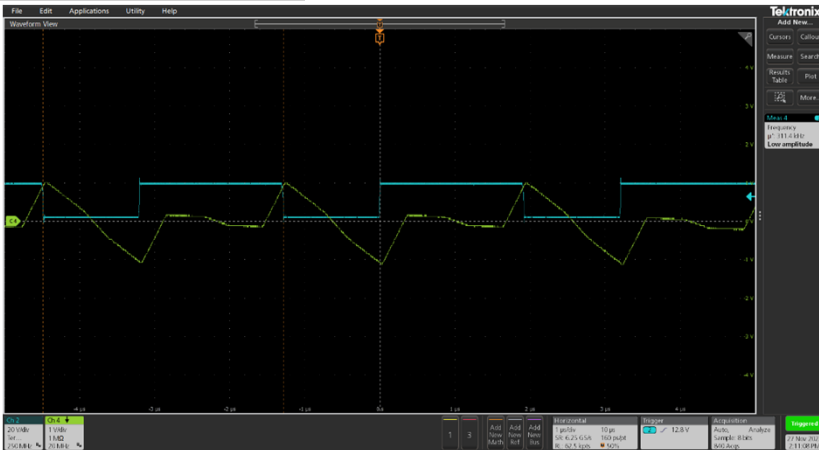
❑ 48Vin/12Vout/80Aout test setup



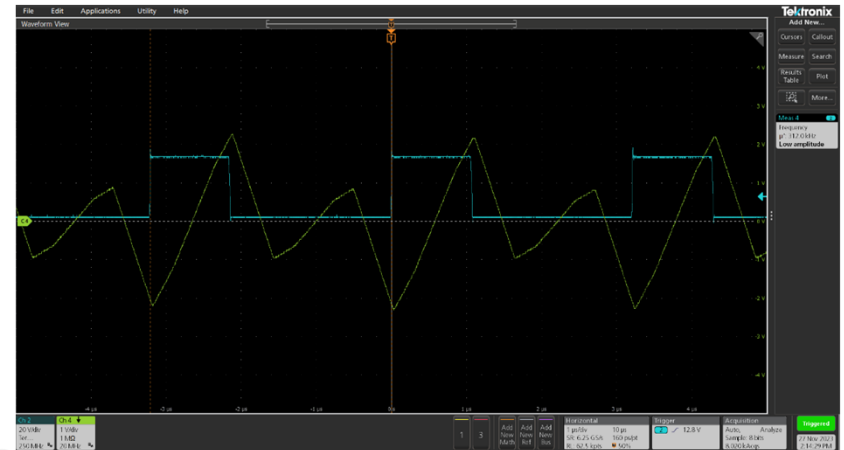
ISL81806 4-PHASE INTERLEAVE PARALLEL WAVEFORM $V_{OUT}=12V$

C2: V_PH1
C4: I_PH1

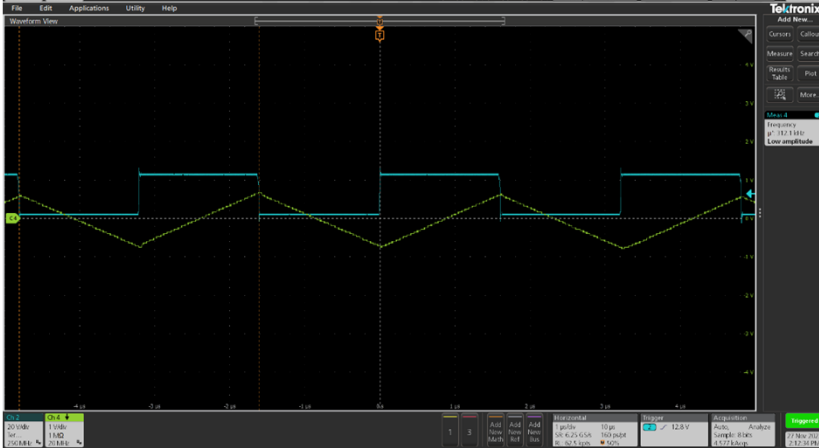
20VIN



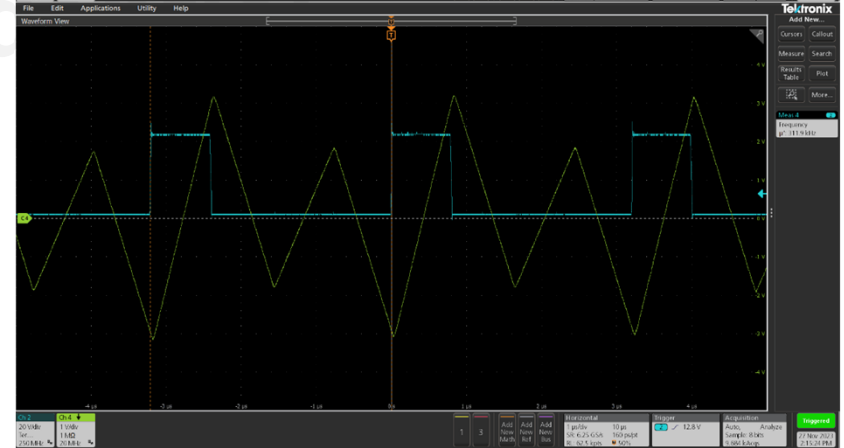
36VIN



24VIN



48VIN

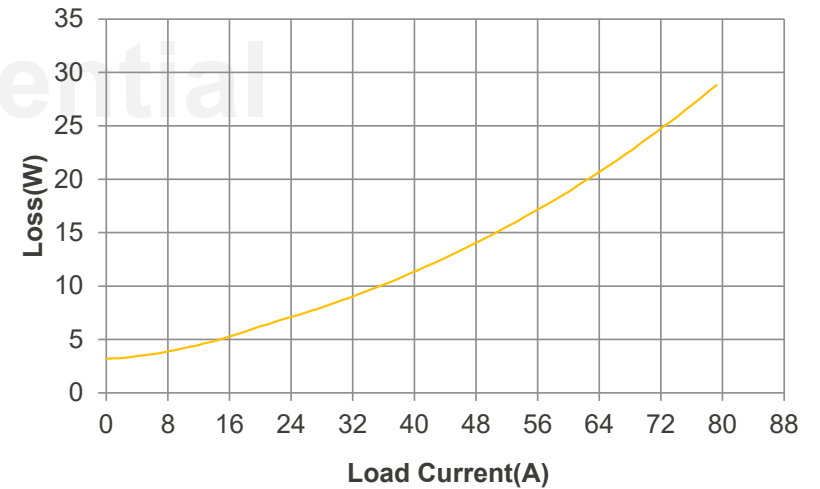
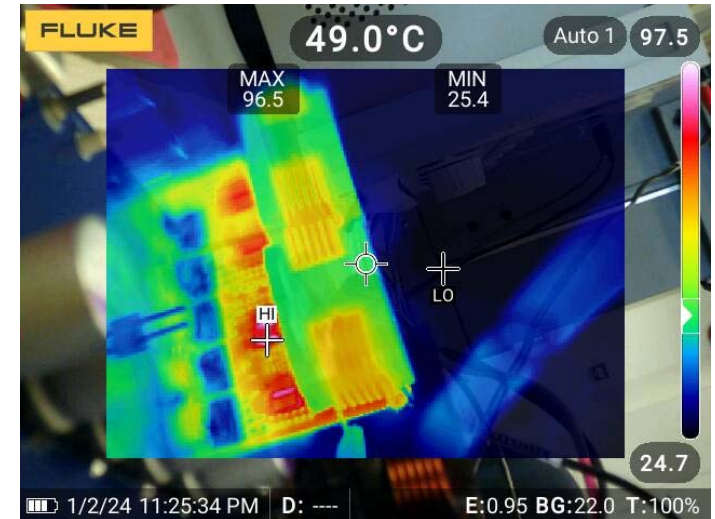


EFFICIENCY, POWER LOSS AND TEMPERATURE

48Vin/12Vout/80A Test with air flow

- Peak efficiency: 97.7%
- Full load efficiency: 97%
- Highest temperature : 97.5°C with air flow

Efficiency Measurement @25C



Renesas.com

Q & A