

Instrumentation Amplifiers

Deriving the V_{CM} versus V_{OUT} Plot for the ISL2853x Instrumentation Amplifier

Abstract

The common-mode voltage-versus-output voltage plot (also known as the diamond plot) of the ISL2853x Instrumentation Amplifier (INA) in [Figure 1](#), consists of six sections that represent the common-mode limits introduced by each amplifier ([Figure 2](#)). These limits are shown as positive and negative output voltages. This application note explains how to derive the diamond plot.

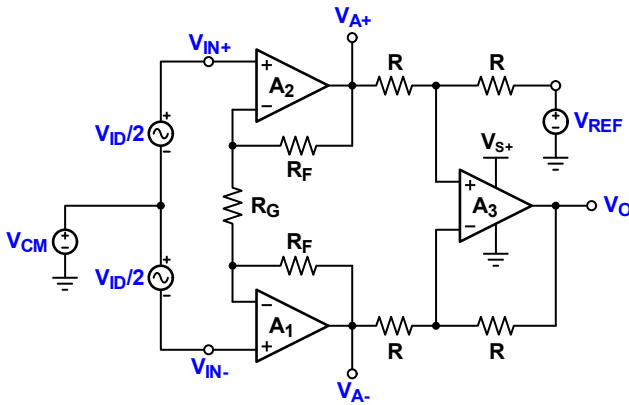


Figure 1. ISL2853x Schematic

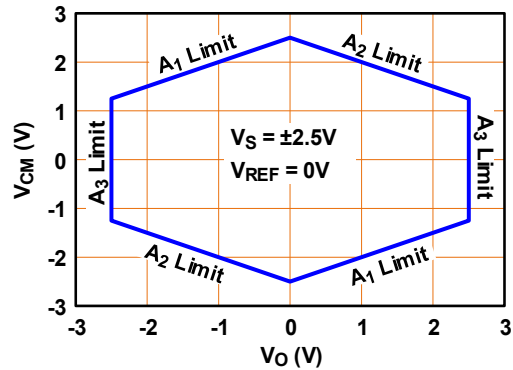


Figure 2. V_{CM} versus V_O Plot

Contents

1. INA Fundamentals	2
2. Common-Mode Limits	2
2.1 Deriving V_{CMH} at $V_{A+(max)}$ (for Positive Diff-Amp Input Voltages)	3
2.2 Deriving V_{CML} at $V_{A+(min)}$ (for Negative Diff-Amp Input Voltages)	4
2.3 Deriving V_{CMH} and V_{CML} at $V_{A-(max)}$ and $V_{A-(min)}$	4
2.4 Deriving V_{CMH} and V_{CML} for Zero Differential Input	5
2.5 Creating the Diamond Plot.	5
3. Interpreting the Diamond Plot	7
4. Revision History	7

List of Figures

Figure 1. ISL2853x Schematic	1
Figure 2. V_{CM} versus V_O Plot	1
Figure 3. Input and Output Voltage Relations of the Diff-Amp.	3
Figure 4. ISL2853x Diamond Plots for Single Supply Operation.	6
Figure 5. ISL2853x Diamond Plots for Dual Supply Operation	6
Figure 6. Diamond Plot Identifying the Limiting Amplifiers	7

Related Literature

For a full list of related documents, visit our website:

- [ISL28533](#), [ISL28534](#), [ISL28535](#) device pages

1. INA Fundamentals

The input voltages of the instrumentation amplifier (V_{IN+} and V_{IN-}) are the sum of the common-mode voltage (V_{CM}) and half the differential input signal ($V_{ID}/2$):

$$(EQ. 1) \quad V_{IN+} = V_{CM} + \frac{V_{ID}}{2} \quad \text{and} \quad V_{IN-} = V_{CM} - \frac{V_{ID}}{2}$$

The resulting output voltages of the input stage are therefore:

$$(EQ. 2) \quad V_{A+} = V_{CM} + G_D \cdot \frac{V_{ID}}{2} \quad \text{and} \quad V_{A-} = V_{CM} - G_D \cdot \frac{V_{ID}}{2}$$

Where G_D is the differential signal gain, given with: $G_D = 1 + \frac{2R_F}{R_G}$

Per [Equation 2](#), the input amplifiers (A_1 and A_2) only amplify the differential signal component, while the common-mode voltage is passed through at a gain of one.

The subsequent difference amplifier (diff-amp) subtracts V_{A-} from V_{A+} ; therefore, removing the input common-mode voltage and only amplifying the difference of the differential input signal. It also adds an output common-mode potential in the form of the reference voltage (V_{REF}) to produce the output voltage:

$$(EQ. 3) \quad V_O = V_{A+} - V_{A-} + V_{REF} = G_D \cdot \left[\frac{V_{ID}}{2} - \left(-\frac{V_{ID}}{2} \right) \right] + V_{REF} = V_{OD} + V_{REF}$$

It is important to notice that the differential input voltage at each input of the diff-amp can only be half the differential output voltage to avoid output saturation. Therefore:

$$(EQ. 4) \quad G_D \cdot \frac{V_{ID}}{2} = \frac{V_{OD}}{2}$$

2. Common-Mode Limits

The supply rails limits the input and output voltage ranges of each amplifier; therefore, also limiting the input common-mode range of the entire instrumentation amplifier. Denoting the upper common-mode limit with V_{CMH} and lower common-mode limits with V_{CML} , we establish the equations for the upper and lower voltage limits at V_{A+} and V_{A-} with the help of [Figure 3](#).

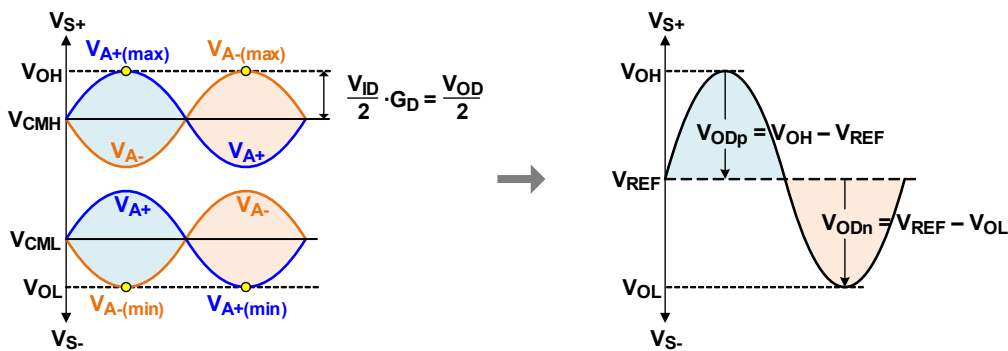


Figure 3. Input and Output Voltage Relations of the Diff-Amp

[Figure 3](#) shows the blue shaded areas as the diff-amp input voltages that cause output voltages higher than the reference voltage, and the orange shaded areas as the input voltages that cause output voltages lower than the reference voltage.

The maximum positive and negative output voltage differences, V_{ODp} and V_{ODn} , are defined as:

$$(EQ. 5) \quad V_{ODp} = V_{OH} - V_{REF}$$

$$(EQ. 6) \quad V_{ODn} = V_{REF} - V_{OL}$$

In the following calculations, it is important to distinguish between these output voltage definitions, and to assign the V_{ODp} definition to positive input voltages, $V_{A+} > V_{A-}$, and the V_{ODn} definition to negative input voltages, $V_{A+} < V_{A-}$.

2.1 Deriving V_{CMH} at $V_{A+(max)}$ (for Positive Diff-Amp Input Voltages)

The maximum voltage at V_{A+} is the sum of the maximum input common-mode voltage, V_{CMH} , and the maximum possible differential component, $G_D \cdot V_{ID}/2$:

$$(EQ. 7) \quad V_{A+(max)} = V_{CMH} + G_D \cdot \frac{V_{ID}}{2}$$

From [Equation 4](#) we know that the amplified differential input component must not be larger than half the differential output component to avoid output saturation. We can therefore rewrite [Equation 7](#) as:

$$(EQ. 8) \quad V_{A+(max)} = V_{CMH} + \frac{V_{OD}}{2}$$

Due to the positive polarity of the differential output component, we substitute V_{OD} with V_{ODp} in [Equation 5](#):

$$(EQ. 9) \quad V_{A+(max)} = V_{CMH} + \frac{V_{OH} - V_{REF}}{2}$$

Because $V_{A+(max)}$ is limited to V_{OH} , we substitute $V_{A+(max)}$ with V_{OH} :

$$(EQ. 10) \quad V_{OH} = V_{CMH} + \frac{V_{OH} - V_{REF}}{2}$$

and then solve for V_{CMH} :

$$(EQ. 11) \quad V_{CMH} = \frac{V_{OH} + V_{REF}}{2}$$

To calculate the output voltage of the diff-amp when its V_{A+} input is at $V_{A+(max)}$, we determine the voltage at the complementary input, V_{A-} , with:

$$(EQ. 12) \quad V_{A-} = V_{CMH} - \frac{V_{OD}}{2} = V_{CMH} - \frac{V_{OH} - V_{REF}}{2}$$

Calculating the output voltage using [Equations 3, 9, and 12](#) confirms that:

$$(EQ. 13) \quad V_O = V_{A+} - V_{A-} + V_{REF} = V_{OH}$$

Therefore, [Equations 11 and 13](#) provide the first point in the diamond diagram.

2.2 Deriving V_{CML} at $V_{A+(min)}$ (for Negative Diff-Amp Input Voltages)

The minimum voltage at V_{A+} can be expressed through:

$$(EQ. 14) \quad V_{A+(min)} = V_{CML} - G_D \cdot \frac{V_{ID}}{2}$$

Again, the amplified differential input component must not be larger than half the differential output component, so we can write [Equation 14](#) as:

$$(EQ. 15) \quad V_{A+(min)} = V_{CML} - \frac{V_{OD}}{2}$$

Due to the negative polarity of the differential output component, we substitute V_{OD} with V_{ODn} in [Equation 6](#):

$$(EQ. 16) \quad V_{A+(min)} = V_{CML} - \frac{V_{REF} - V_{OL}}{2}$$

Because $V_{A+(min)}$ is limited to V_{OL} , we substitute $V_{A+(min)}$ with V_{OL} :

$$(EQ. 17) \quad V_{OL} = V_{CML} - \frac{V_{REF} - V_{OL}}{2}$$

and then solve for V_{CML} :

$$(EQ. 18) \quad V_{CML} = \frac{V_{OL} + V_{REF}}{2}$$

To calculate the output voltage of the diff-amp when its V_{A+} input is at $V_{A+(min)}$, we determine the voltage at the complementary input, V_{A-} , with:

$$(EQ. 19) \quad V_{A-} = V_{CML} + \frac{V_{OD}}{2} = V_{CML} + \frac{V_{REF} - V_{OL}}{2}$$

Calculating the output voltage using [Equations 3](#), [16](#), and [19](#) confirms that:

$$(EQ. 20) \quad V_O = V_{A+} - V_{A-} + V_{REF} = V_{OL}$$

Now, [Equations 18](#) and [20](#) provide the second point in the diamond diagram.

2.3 Deriving V_{CMH} and V_{CML} at $V_{A-(max)}$ and $V_{A-(min)}$

The input common-mode limits for V_{A-} can be derived the same way as done for V_{A+} . But rest assured, due to the symmetrical structure of the INA, they must yield the same voltage levels, albeit slightly different voltage equations. The corresponding output voltages; however, are complementary to the previous ones, due to the opposite polarity of V_{A-} and V_{A+} . Avoiding the precious long-winded derivations, the wanted common-mode and output levels are given below:

For $V_{A-(max)}$ the maximum common-mode voltage is:

$$(EQ. 21) \quad V_{CMH} = V_{OH} - \frac{V_{REF} - V_{OL}}{2}$$

And the corresponding output voltage is:

$$(EQ. 22) \quad V_O = V_{OL}$$

For $V_{A-(min)}$ the maximum common-mode voltage is:

$$(EQ. 23) \quad V_{CML} = V_{OL} + \frac{V_{OH} - V_{REF}}{2}$$

And the corresponding output voltage is:

$$(EQ. 24) \quad V_O = V_{OH}$$

[Equations 21](#) to [24](#) provide Points 3 and 4 in the diamond diagram.

2.4 Deriving V_{CMH} and V_{CML} for Zero Differential Input

Without a differential input signal component, the input common-mode range solely depends on the design specification of the input stage, as the output voltage remains at supply mid-point, or V_{REF} . for the ISL2853x family of instrumentation amplifiers, the V_{CM} range is specified with:

$$(EQ. 25) \quad V_{CM(max)} = V_{S+} - 0.1V$$

$$(EQ. 26) \quad V_O|_{V_D=0} = V_{REF}$$

$$(EQ. 27) \quad V_{CM(min)} = V_{S-} + 0.1V$$

$$(EQ. 28) \quad V_O|_{V_D=0} = V_{REF}$$

[Equations 25](#) to [28](#) provide Points 5 and 6 in the diamond diagram.

2.5 Creating the Diamond Plot

For convenience, [Table 1](#) lists the relevant equations for calculating the critical points in the diamond diagram.

Table 1. Important Equations for Developing the V_{CM} vs V_O Plot

Point	Equations	Common-Mode Voltage	Output Voltage
1	11 , 13	$V_{CMH} = (V_{OH} + V_{REF})/2$	$V_O = V_{OH}$
2	18 , 20	$V_{CML} = (V_{OL} + V_{REF})/2$	$V_O = V_{OL}$
3	21 , 22	$V_{CMH} = V_{OH} + (V_{OL} - V_{REF})/2$	$V_O = V_{OL}$
4	23 , 24	$V_{CML} = V_{OL} + (V_{OH} - V_{REF})/2$	$V_O = V_{OH}$
5	25 , 26	$V_{CM(max)} = V_{S+} - 0.1V$	$V_O = V_{REF}$
6	26 , 27	$V_{CM(min)} = V_{S+} + 0.1V$	$V_O = V_{REF}$

[Figures 4](#) and [5](#) show the diamond plots for single and dual supply operation. Due to the rail-to-rail output drive capability of the device, V_{OH} and V_{OL} are assumed with V_{S+} and V_{S-} , respectively. The voltages of the critical points in the diagram have been calculated using the equations in [Table 1](#).

Point	V_{CM} (V)	V_O (V)
1	3.75	5
2	1.25	0
3	3.75	0
4	1.25	5
5	4.9	2.5
6	0.1	2.5

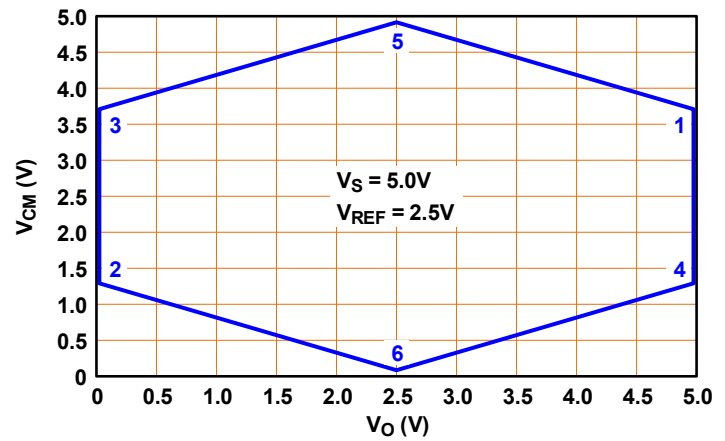


Figure 4. ISL2853x Diamond Plots for Single Supply Operation

Point	V_{CM} (V)	V_O (V)
1	1.25	2.5
2	-1.25	-2.5
3	1.25	-2.5
4	-1.25	2.5
5	2.4	0
6	-2.4	0

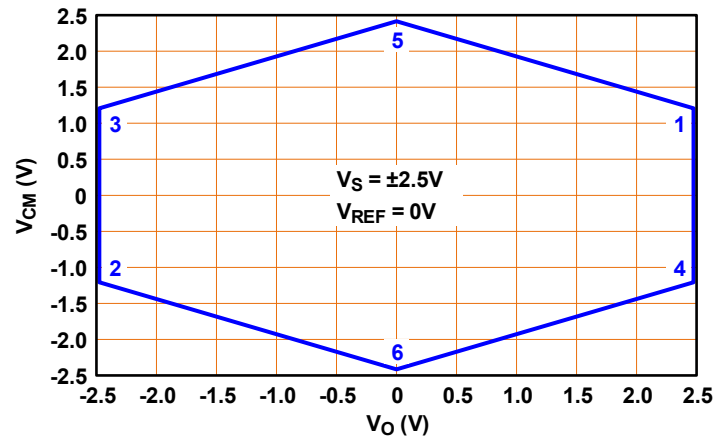


Figure 5. ISL2853x Diamond Plots for Dual Supply Operation

3. Interpreting the Diamond Plot

Figure 6 identifies which amplifier is limiting the common-mode voltage within what range.

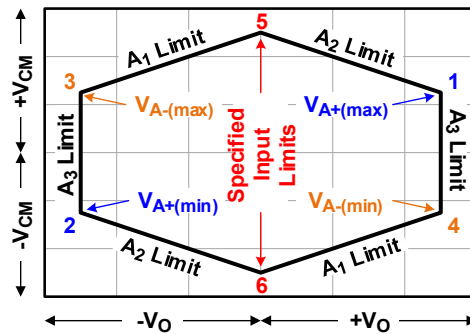


Figure 6. Diamond Plot Identifying the Limiting Amplifiers

As previously mentioned, the specified input limits represent the minimum and maximum common-mode voltages without a differential input signal present.

Starting at Point 5, an increasing positive differential input signal ($+V_D/2$ at $INA+$, $-V_D/2$ at $INA-$), requires a decrease in common-mode voltage to prevent amplifier A_2 from exceeding V_{OH} , the output saturation level. At the same time, the output of A_1 , V_{A-} , becomes more negative by the same amount A_2 has turned positive, but due to the high V_{CM} , A_1 is far from its lower saturation level, V_{OL} (see Figure 3 for comparison). Therefore, A_2 is the only amplifier limiting V_{CM} between Point 5 and Point 1.

At Point 1, A_2 and A_1 apply their maximum differential output voltages to the inputs of the diff-amp. This causes the output of A_3 to reach its output saturation voltage, V_{OH} . At this point, changing the input common-mode level high to low (single supply operation), or from positive to negative (dual supply operation), leads to the horizontal line from Point 1 to Point 4. Along this line, changing V_{CM} does not affect the output of A_3 , and A_3 remains the only limiting amplifier until Point.

At Point 4, A_2 and A_1 are still providing their maximum output voltages. The change in V_{CM} , however, draws the positive output of A_2 away from V_{OH} , but causes the negative output of A_1 to reach its lower saturation level, V_{OL} . Reducing the differential input signal allows the decrease in V_{CM} towards more negative or lower levels, but only to the amount of the output saturation level of A_1 , V_{OL} . Therefore, A_1 is the V_{CM} limiting amplifier between Point 4 and Point 6.

Note: The previous discussion concerned positive input signals. The same V_{CM} versus V_O dependency exists for negative input signals. In this case, the right side of the diamond plot is mirrored to the left side.

4. Revision History

Rev.	Date	Description
1.00	May.22.20	Initial release

IMPORTANT NOTICE AND DISCLAIMER

RENESAS ELECTRONICS CORPORATION AND ITS SUBSIDIARIES (“RENESAS”) PROVIDES TECHNICAL SPECIFICATIONS AND RELIABILITY DATA (INCLUDING DATASHEETS), DESIGN RESOURCES (INCLUDING REFERENCE DESIGNS), APPLICATION OR OTHER DESIGN ADVICE, WEB TOOLS, SAFETY INFORMATION, AND OTHER RESOURCES “AS IS” AND WITH ALL FAULTS, AND DISCLAIMS ALL WARRANTIES, EXPRESS OR IMPLIED, INCLUDING, WITHOUT LIMITATION, ANY IMPLIED WARRANTIES OF MERCHANTABILITY, FITNESS FOR A PARTICULAR PURPOSE, OR NON-INFRINGEMENT OF THIRD PARTY INTELLECTUAL PROPERTY RIGHTS.

These resources are intended for developers skilled in the art designing with Renesas products. You are solely responsible for (1) selecting the appropriate products for your application, (2) designing, validating, and testing your application, and (3) ensuring your application meets applicable standards, and any other safety, security, or other requirements. These resources are subject to change without notice. Renesas grants you permission to use these resources only for development of an application that uses Renesas products. Other reproduction or use of these resources is strictly prohibited. No license is granted to any other Renesas intellectual property or to any third party intellectual property. Renesas disclaims responsibility for, and you will fully indemnify Renesas and its representatives against, any claims, damages, costs, losses, or liabilities arising out of your use of these resources. Renesas' products are provided only subject to Renesas' Terms and Conditions of Sale or other applicable terms agreed to in writing. No use of any Renesas resources expands or otherwise alters any applicable warranties or warranty disclaimers for these products.

(Rev.1.0 Mar 2020)

Corporate Headquarters

TOYOSU FORESIA, 3-2-24 Toyosu,
Koto-ku, Tokyo 135-0061, Japan
www.renesas.com

Contact Information

For further information on a product, technology, the most up-to-date version of a document, or your nearest sales office, please visit:
www.renesas.com/contact/

Trademarks

Renesas and the Renesas logo are trademarks of Renesas Electronics Corporation. All trademarks and registered trademarks are the property of their respective owners.