

AC/DC POWER MANAGEMENT ICs

Digital & Analog AC/DC Converters
Digital AC/DC **RapidCharge™** Converters
Digital SSL LED Drivers



INNOVATIVE, HIGH PERFORMANCE IC SOLUTIONS FOR

AC/DC POWER MANAGEMENT



Renesas' exclusive **PrimAccurate™ Digital Control Technology*** is at the heart of our AC/DC converters, **RapidCharge™** chipsets and solid state lighting LED driver solutions. This digital "engine" optimizes performance over a wide range of operating conditions, reduces external components, and lowers system cost, enabling more power in less space, with very low standby power and reduced system cost.

*All products with iWxxx part numbers use Renesas' proprietary digital control technology.

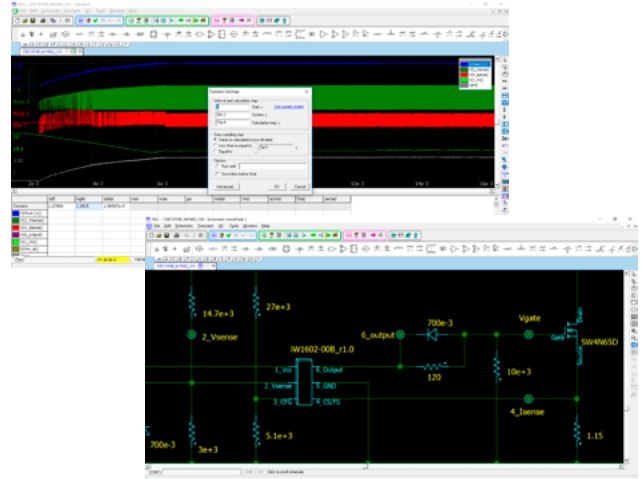
CONTENT

DiaSIM™ Simulation Models	3	SSL LED Driver Solutions - Commercial	20
AC/DC PWM Controller Solutions	4	Two-Stage SSL Phase-Cut Drivers	20
AC/DC RapidCharge™ Adapter Solutions	6	Single-Stage, PFC and PFC Flyback SSL Controllers	20
ZVS Product Table for Applications	9	SSL Interface ICs	21
AC/DC Secondary-Side ICs	13	Second-Stage SSL PWM Controllers	21
AC/DC ICs with Integrated AccuSwitch™ Power Switch	15	Combo SSL LED Drivers	25
AC/DC Non-Isolated High-Voltage Buck Regulators	18	PFC Front-End Controllers	26
Induction Cooker Controller	19	SSL LED Driver Solutions - Residential	27

DiaSIM™ Simulation Models

Simulate Before You Build!

- Quickly simulate, test and verify AC/DC power supplies before prototype build
- Test component variation and tolerances in existing designs
- Allows true simultaneous simulation of digital blocks and analog circuit elements
- Fast simulations – using “ideal” components
- Easy to use – no non-linear convergence
- Powered by [Sideline Software](#) NL5 simulation software (compatible with NL5 32-bit version only)



Simulation Models are Available for These Parts

Product	Feature
iW673	Synchronous rectifier controller
iW676	Synchronous rectifier controller with Active Voltage Position (AVP) control
iW873	Synchronous rectifier controller with integrated 60V MOSFET
iW1602	30W AC/DC PWM controller, optimized for 5V output
iW1699B	30W AC/DC PWM controller
iW1702	45W AC/DC PWM controller, optimized for 9V+ output
iW1709	12W AC/DC PWM controller
iW1760B	45W AC/DC PWM controller
iW1770	40W AC/DC PWM controller with > 60W peak output power
iW1818	12W Primary-side switcher with integrated 800V BJT
iW1830	15W Primary-side switcher with integrated 700V MOSFET

DiaSIM™ Simulation Models Quick Start Guide

https://www.dialog-semiconductor.com/sites/default/files/2022-02/NL5_Quick_Start_Guide.pdf



AC/DC PWM Controller Solutions

Primary Side	Secondary Side	Synchronous Rectifier (SR) (>90% Efficiency)	Output Power ⁽¹⁾	No-Load Standby Power	Primary-Side Driver Type	DLNK ⁽²⁾ XM-Comm ⁽³⁾	Features	Package
Output Power (max): ≤ 12W								
iW1700			5W	< 5mW	BJT		<ul style="list-style-type: none"> Zero standby power controller 	SOT23-6
iW1707			12W	< 100mW	BJT		<ul style="list-style-type: none"> Active start-up scheme enables shortest turn-on delay Smooth output to drive large (up to 6,000µF) capacitive loads 	SOT23-6
Output Power (max): ≤ 45W								
iW1602			30W	< 30mW	FET		<ul style="list-style-type: none"> Optimized for 5V output Configurable light load operation mode 	SOT23-6
iW1702			45W	< 75mW	FET		<ul style="list-style-type: none"> Optimized for 9V+ output Option for input OVP Configurable light load operation mode 	SOT23-6
iW1760B			45W	< 50mW	FET		<ul style="list-style-type: none"> Active start-up scheme enables shortest turn-on delay Smooth output to drive large (up to 6,000µF) capacitive loads 	SO-8
iW1790	iW662	Integrated iW662	27W	< 20mW	FET	XM-COMM	<ul style="list-style-type: none"> Qualcomm® Quick Charge™ 3.0, 2.0 (iW662) D+/D- over-voltage protection Integrated SR for 90% efficiency, lower BOM (iW662) 	SO-8/ SO-8
iW1791	iW657P	iW676	27W	< 20mW	FET	DLNK	<ul style="list-style-type: none"> USB PD 3.0 + PPS + Qualcomm® Quick Charge™ 4+ (iW657P) D+/D- over-voltage protection 	SO-8/ TDFN-14 SOT23-6
iW1796	iW662	Integrated iW662	27W	< 20mW	FET	XM-COMM	<ul style="list-style-type: none"> Qualcomm® Quick Charge™ 3.0, 2.0 (iW662) D+/D- over-voltage protection Integrated SR for 90% efficiency, lower BOM (iW662) 	SOT23-6/ SO-8
iW1797	iW657P	iW676	27W	< 75mW	FET	DLNK	<ul style="list-style-type: none"> USB PD 3.0 + PPS + Qualcomm® Quick Charge™ 4+ (iW657P) < 20mW standby power with external startup circuit 	SOT23-6/ TDFN-14/ SOT23-6
iW1799	iW657P	iW676	65W	< 75mW	FET	DLNK	<ul style="list-style-type: none"> USB PD 3.0 + PPS + Qualcomm® Quick Charge™ 4+ (iW657P) < 20mW standby power with external startup circuit External shutdown. V_{IN} OVP or X-cap discharge 	SO-8/ TDFN-14/ SOT23-6

(1) Maximum output power is application dependent

(2) DLNK is Renesas' digital communication from secondary to primary side via an optocoupler

(3) XM-Comm is Renesas' proprietary digital communication via the main power transformer that eliminates the need for an optocoupler

Qualcomm® Quick Charge™ is a product of Qualcomm Technologies, Inc.

AC/DC PWM Controller Solutions (continued)

Primary Side	Secondary Side	Synchronous Rectifier (SR) (>90% Efficiency)	Output Power ⁽¹⁾	No-Load Standby Power	Primary-Side Driver Type	ZVS ⁽²⁾	Features	Package
Output Power (max): ≥ 63W								
iW9801	iW709	Integrated iW709	100W	< 20mW	FET	Yes	<ul style="list-style-type: none"> USB PD 3.0 + PPS + Qualcomm® Quick Charge™ 4+ (iW709) SSR⁽³⁾ digital compensation eliminates loop components and ensures stability (iW709) 	S0-10/ QFN-16
iW9802	TL431	iW610	100W+		FET	Yes	<ul style="list-style-type: none"> Compatible with TL431 SR controller optimized for ZVS (iW610) 	S0-10/ SOT23-6
iW9806	TL431	iW611	100W+		GaN	Yes	<ul style="list-style-type: none"> Optimized for GaN power devices Compatible with TL431 SR controller optimized for ZVS (iW611) 	S0-10/ SOT23-6
iW9809	iW709	Integrated iW709	65W	< 20mW	FET		<ul style="list-style-type: none"> USB PD 3.0 + PPS + Qualcomm® Quick Charge™ 4+ (iW709) SSR⁽³⁾ digital compensation eliminates loop components and ensures stability (iW709) 	S0-8/ QFN-16
iW9860	iW760	Integrated iW760	63W	< 5mW	FET		<ul style="list-style-type: none"> Zero standby power controller USB PD 3.0 + PPS + Qualcomm® Quick Charge™ 4+ (iW760) Dual-polarity auxiliary winding sensor improves EMI, simplifies transformer design SSR⁽³⁾ digital compensation eliminates loop components and ensures stability (iW760) 	SOT23-6/ TDFN-14
iW9861	iW760	Integrated iW760	63W	< 20mW	FET		<ul style="list-style-type: none"> USB PD 3.0 + PPS + Qualcomm® Quick Charge™ 4+ (iW760) Dual-polarity auxiliary winding sensor improves EMI, simplifies transformer design SSR⁽³⁾ digital compensation eliminates loop components and ensures stability (iW760) 	SOT23-6/ TDFN-14
iW9862	TL431	iW610	65W		FET		<ul style="list-style-type: none"> Dual-polarity auxiliary winding sensor improves EMI, simplifies transformer design Compatible with TL431 	SOT23-6/ SOT23-6
iW9870	iW760	Integrated iW760	63W	< 5mW	GaN		<ul style="list-style-type: none"> Optimized for GaN power devices Zero standby power controller USB PD 3.0 + PPS + Qualcomm® Quick Charge™ 4+ (iW760) Dual-polarity auxiliary winding sensor improves EMI, simplifies transformer design 	SOT23-6/ TDFN-14
iW9871	iW760	Integrated iW760	63W	< 20mW	GaN		<ul style="list-style-type: none"> Optimized for GaN Power Devices USB PD 3.0 + PPS + Qualcomm® Quick Charge™ 4+ (iW760) Dual-polarity auxiliary winding sensor improves EMI, simplifies transformer design 	SOT23-6/ TDFN-14
iW9872	TL431	iW611	65W		GaN		<ul style="list-style-type: none"> Optimized for GaN power devices Dual-polarity auxiliary winding sensor improves EMI, simplifies transformer design Compatible with TL431 	SOT23-6/ SOT23-6

ZSP Product Family

Primary Side	Secondary Side	Output Power ⁽¹⁾	No-Load Standby Power	Output Voltage Range	Features	Package
iW9860/iW9870	iW765	45W+	< 5mW	3V - 21V	<ul style="list-style-type: none"> USB PD 3.1 + PPS, output current up to 5A 	SOT23-6/ TDFN-14
iW9860/iW9870	iW760	45W+	< 5mW	3V - 21V	<ul style="list-style-type: none"> USB PD 3.1 + PPS, output current up to 3A 	SOT23-6/ TDFN-14
iW9860/iW9870	iW690	45W+	< 5mW	3V - 21V	<ul style="list-style-type: none"> Fixed V_{OUT}, output current up to 5A 	SOT23-6/ TDFN-14
iW9860/iW9870	iW780	45W+	< 5mW	3V - 28V	<ul style="list-style-type: none"> USB PD 3.1 EPR + PPS Fixed V_{OUT} 	SOT23-6/ TDFN 5*4

(1) Maximum output power is application dependent

(2) Renesas' patented [ZVS \(Zero Voltage Switching\)](#) technology for highest power density and low EMI

(3) SSR: Secondary-Side Regulation

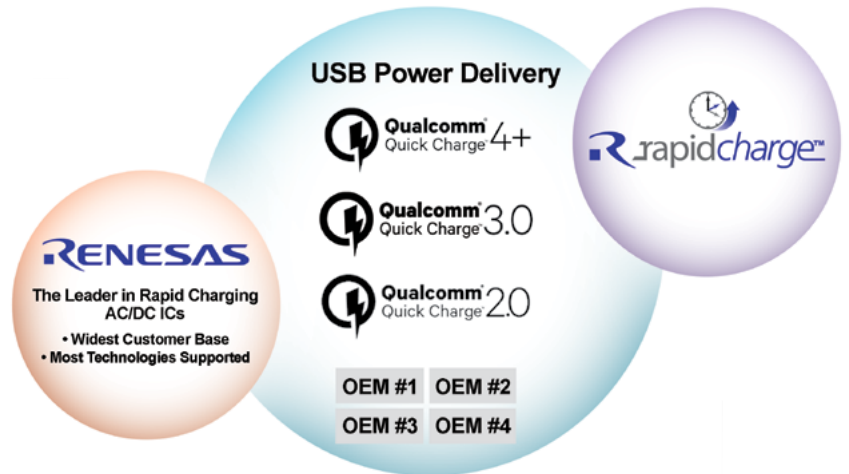
Qualcomm® Quick Charge™ is a product of Qualcomm Technologies, Inc.

AC/DC **RapidCharge™** Adapter Solutions

Renesas Supports Virtually All Fast Charging Protocols

As the leader in AC/DC **RapidCharge™** solutions, Renesas supports more fast charging protocols than any other supplier.

- USB Power Delivery 3.1 + PPS
- Qualcomm® Quick Charge™ 4+
- Qualcomm® Quick Charge™ 3.0
- Qualcomm® Quick Charge™ 2.0
- Samsung Adaptive Fast Charging
- Direct Charge
- Other Proprietary OEM Protocols



RapidCharge™ Protocol											
Primary Side	Secondary Side	Synchronous Rectifier (SR) (>90% Efficiency)	Primary-Side Driver Type	Qualcomm® Quick Charge™	Direct Charge	USB Power Delivery ⁽¹⁾	Output Power ⁽¹⁾	No-Load Standby Power	Output Voltage	DLNK ⁽²⁾ XM-Comm ⁽³⁾	Features
iW1790 iW1796	iW662	Integrated iW662	FET	QC 2.0 QC 3.0			27W	< 20mW	3V - 12V	XM-Comm	<ul style="list-style-type: none"> ▪ D+/D- over-voltage protection ▪ Integrated SR for lower BOM and 90% efficiency (iW662)
iW1791 iW1797	iW657P	iW676	FET	QC 2.0 QC 3.0 QC 4+	✓	✓	27W	< 75mW	3.3V - 21V	DLNK	<ul style="list-style-type: none"> ▪ USB PD 3.0 + PPS + Qualcomm® Quick Charge™ 4+ (iW657P) ▪ D+/D- over-voltage protection (iW657P) ▪ <20mW standby power with external startup circuit
iW1799	iW657P	iW676	FET	QC 2.0 QC 3.0 QC 4+	✓	✓	65W	< 75mW	3.3V - 21V	DLNK	<ul style="list-style-type: none"> ▪ USB PD 3.0 + PPS + Qualcomm® Quick Charge™ 4+ (iW657P) ▪ <20mW standby power with external startup circuit ▪ External shutdown. V_{IN} OVP or X-cap discharge

(1) Maximum output power is application dependent

(2) DLNK is Renesas' digital communication from secondary to primary side via an optocoupler

(3) XM-Comm is Renesas' proprietary digital communication via the main power transformer that eliminates the need for an optocoupler

Qualcomm® Quick Charge™ is a product of Qualcomm Technologies, Inc.

AC/DC **RapidCharge™** Adapter Solutions (continued)

Primary Side	Secondary Side	Synchronous Rectifier (SR) (>90% Efficiency)	Primary-Side Driver Type	RapidCharge™ Protocol			Output Power ⁽¹⁾	No-Load Standby Power	Output Voltage	ZVS ⁽²⁾	Features
				Qualcomm® Quick Charge™	Direct Charge	USB Power Delivery ⁽¹⁾					
iW9801	iW709	Integrated iW709	FET	QC 2.0 QC 3.0 QC 4+	✓	✓	100W	< 20mW	3.3V - 21V	Yes	<ul style="list-style-type: none"> USB PD 3.0 + PPS + Qualcomm® Quick Charge™ 4+ (iW709) SSR⁽³⁾ digital compensation eliminates loop components and ensures stability (iW709)
iW9802	TL431	iW610	FET	User Defined Interface			100W+		User Programmable	Yes	<ul style="list-style-type: none"> Compatible with TL431 SR controller optimized for ZVS (iW610)
iW9806	TL431	iW611	GaN	User Defined Interface			100W+		User Programmable	Yes	<ul style="list-style-type: none"> Optimized for GaN power devices Compatible with TL431 SR controller optimized for ZVS (iW611)
iW9809	iW709	Integrated iW709	FET	QC 2.0 QC 3.0 QC 4+	✓	✓	65W	< 20mW	3.3V to 21V		<ul style="list-style-type: none"> USB PD 3.0 + PPS + Qualcomm® Quick Charge™ 4+ (iW709) SSR⁽³⁾ digital compensation eliminates loop components and ensures stability (iW709)
iW9860	iW760	Integrated iW760	FET	QC 2.0 QC 3.0 QC 4+	✓	✓	63W	< 5mW	3.4V to 21V		<ul style="list-style-type: none"> Zero standby power controller USB PD 3.0 + PPS + Qualcomm® Quick Charge™ 4+ (iW760) Dual-polarity auxiliary winding sensor improves EMI, simplifies transformer design SSR⁽³⁾ digital compensation eliminates loop components and ensures stability (iW760)
iW9861	iW760	Integrated iW760	FET	QC 2.0 QC 3.0 QC 4+	✓	✓	63W	< 20mW	3.4V to 21V		<ul style="list-style-type: none"> USB PD 3.0 + PPS + Qualcomm® Quick Charge™ 4+ (iW760) Dual-polarity auxiliary winding sensor improves EMI, simplifies transformer design SSR⁽³⁾ digital compensation eliminates loop components and ensures stability (iW760)
iW9862	TL431	iW610	FET	User Defined Interface			65W	--	User Programmable		<ul style="list-style-type: none"> Dual-polarity auxiliary winding sensor improves EMI, simplifies transformer design Compatible with TL431
iW9870	iW760	Integrated iW760	GaN	QC 2.0 QC 3.0 QC 4+	✓	✓	63W	< 5mW	3.4V to 21V		<ul style="list-style-type: none"> Optimized for GaN power devices Zero Standby Power Controller USB PD 3.0 + PPS + Qualcomm® Quick Charge™ 4+ (iW760) Dual-polarity auxiliary winding sensor improves EMI, simplifies transformer design
iW9871	iW760	Integrated iW760	GaN	QC 2.0 QC 3.0 QC 4+	✓	✓	63W	< 20mW	3.4V to 21V		<ul style="list-style-type: none"> Optimized for GaN power devices USB PD 3.0 + PPS + Qualcomm® Quick Charge™ 4+ (iW760) Dual-polarity auxiliary winding sensor improves EMI, simplifies transformer design
iW9872	TL431	iW611	GaN	User Defined Interface			65W		User Programmable		<ul style="list-style-type: none"> Optimized for GaN power devices Dual-polarity auxiliary winding sensor improves EMI, simplifies transformer design Compatible with TL431
iW9801	iW780	iW610	FET	QC 2.0 QC 3.0 QC 4+		PD 3.1	65W+	< 50mW	3V to 28V		<ul style="list-style-type: none"> USB PD 3.0 + PPS + Qualcomm® Quick Charge™ 4+ ZVS Controller SR controller optimized for ZVS (iW610)
iW9807	iW780	iW610	GaN			PD 3.1	65W+	< 50mW	3V to 28V		<ul style="list-style-type: none"> Optimized for GaN devices ZVS Controller SR controller optimized for ZVS (iW610)
iW9860	iW780	iW610	FET			PD 3.1	45W+	< 5mW	3V to 28V		<ul style="list-style-type: none"> USB PD 3.0 + PPS + Qualcomm® Quick Charge™ 4+ Zero Standby Power Solution
iW9870	iW780	iW610	GaN			PD 3.1	45W+	< 5mW	3V to 28V		<ul style="list-style-type: none"> Optimized for GaN devices Zero Standby Power Solution

(1) Maximum output power is application dependent

(2) Renesas' patented **ZVS (Zero Voltage Switching)** technology for highest power density and low EMI

(3) SSR: Secondary-Side Regulation

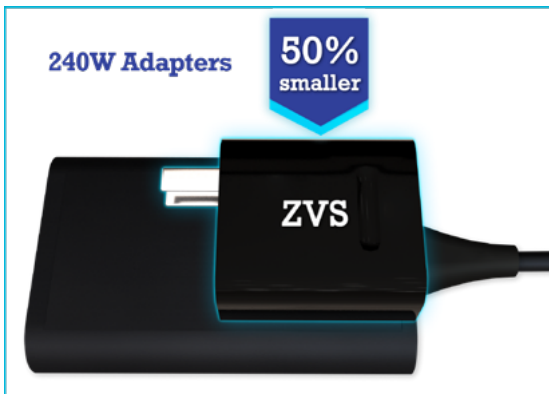
Qualcomm® Quick Charge™ is a product of Qualcomm Technologies, Inc.

AC/DC *RapidCharge*[™] Adapter Solutions (continued)

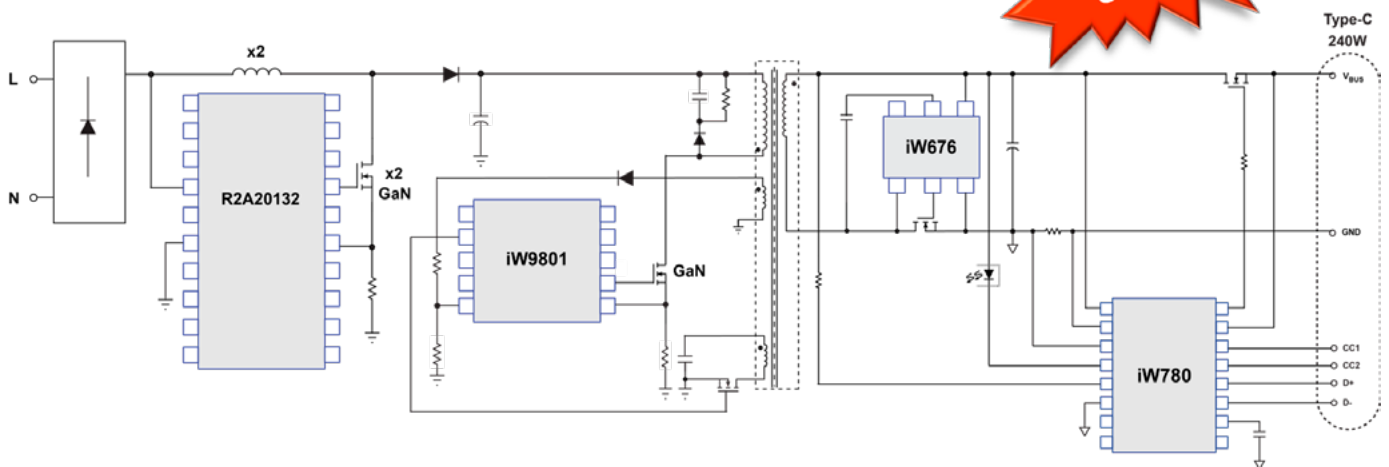
iW9801 + iW780 + iW676 + R2A20132

Zero Voltage Switching (ZVS) flyback & PFC chipset with GaN FET sources highest USB PD power at $>21.1\text{W}/\text{in}^3$ for ubiquitous compact, slim USB PD3.1 240W applications.

- iW9801 AC/DC digital primary-side controller with Renesas' patented Zero Voltage Switching (ZVS) control
 - Excellent efficiency over the input/load range up to 94%
 - Low EMI and no audible noise
- iW780 USB PD3.1 protocol IC supporting 48V output
 - Integrated digital control loop compensation, disconnect FET control
 - Supports Renesas primary-side PWM controllers & SR controllers
- iW676 synchronous rectifier controller
 - Digital adaptive turn-off control technology delivers high efficiency to replace Schottky diodes
- R2A20132 Interleave PFC controller
 - Critical Conduction Mode (CrCM), high efficiency, low switching noise
 - Controls two boost converters, reduces input current ripple & thermal issues



Renesas' USB PD ZVS solution achieves 94% efficiency in a 50% smaller case



[See Renesas ZVS video here](#)

ZVS Product Table for Applications

Description	iW9801-32	iW9801-17	iW9802-21	iW9802-23	iW9802-52	iW9802-36
Max Fsw and mode	80kHz for low line; 75kHz for high line	140kHz for low line; 130kHz for high line	140kHz for low line; 130kHz for high line	75kHz for low line; 70kHz for high line	140kHz for low line; 130kHz for high line	70kHz for low line; 75kHz for high line
MMC Maximum V _{ipk}	0.64V	0.64V	0.64V	0.64V	0.64V	0.64V
V _{out} to V _{sense} Ratio	5:0.7	5:0.7	5:0.7	5:0.7	5:0.7	5:0.7
PWM Maximum Fsw Corresponding V _{out}	20V	20V	20V	20V	20V	20V
ZVS Function	Low line and high line	Low line and high line	Low line and high line	Low line and high line	High line	High line
L _m /R _s (μH/Ω)	1750	1083	917	1833	1250	1833
CCM	No	No	No	No	No	Low line
Frequency dithering	Valley hopping	Valley hopping	Valley hopping	Valley hopping	In-valley dithering	Valley hopping
Startup V _{out} OVP	24V	24V	24V	24V	7V	24V
K _{cc}	0.367	0.313	0.391	0.489	0.313	0.419
X-cap discharge	Yes. 1 Sec.	Yes. 1 Sec.	Yes. 100ms	Yes. 1 Sec.	Yes. 1 Sec.	Yes. 1 Sec.
OTP configuration	135/130/105/100°C	135/130/105/100°C	125/120/115/110°C	135/130/105/100°C	125/120/115/110°C	Disable
V _{ctrl} high protection / V _{ctrl} low protection timer	200ms / 300ms	100ms / 200ms	100ms / 200ms	200ms / 300ms	200ms / 300ms	Disable / 300ms
Application Suggestion	PD3.1 PD EPR 28V5A	PD3.1 PD SPR 20V5A	PD3.1 PD EPR 28V5A	PD3.1 PD EPR 28V5A	PD3.1 PD SPR 20V5A w/o PFC	Power tool w/o PFC

AC/DC *RapidCharge*[™] Adapter Solutions (continued)

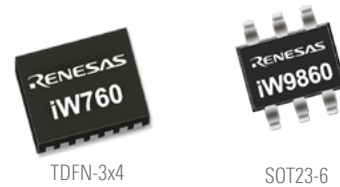
iW9860 + iW760

Zero Standby Power 63W USB PD Adapters

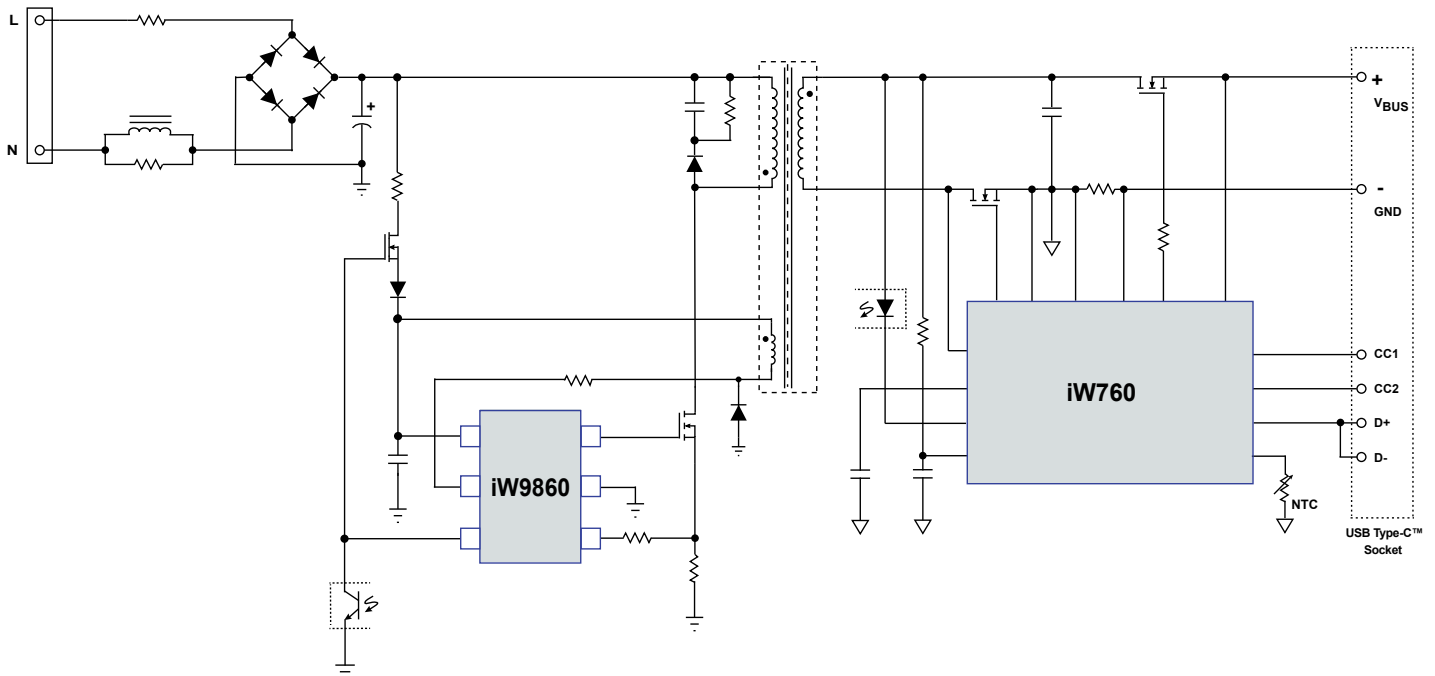
- < 5mW no-load standby power consumption
- Simple, easy-to-use, low BOM count solution
 - Single-layer PCB
- [iW9860](#) AC/DC digital primary-side quasi-resonant (QR) flyback controller
 - Dual-polarity auxiliary winding sensor improves EMI, simplifies transformer design
- [iW760](#) QR interface controller
 - Integrated synchronous rectifier
 - Secondary-side digital compensation eliminates loop components, ensures stability
 - USB-IF PD certified (USB PD 3.0 + PPS)
- Hardwired state machine prevents fast chargers from hacking



Eco-friendly design enables zero standby power
< 5mW at 230V_{AC}



Space-Saving Packages

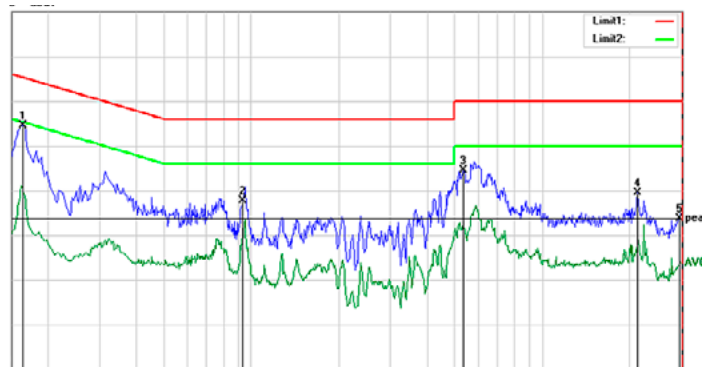
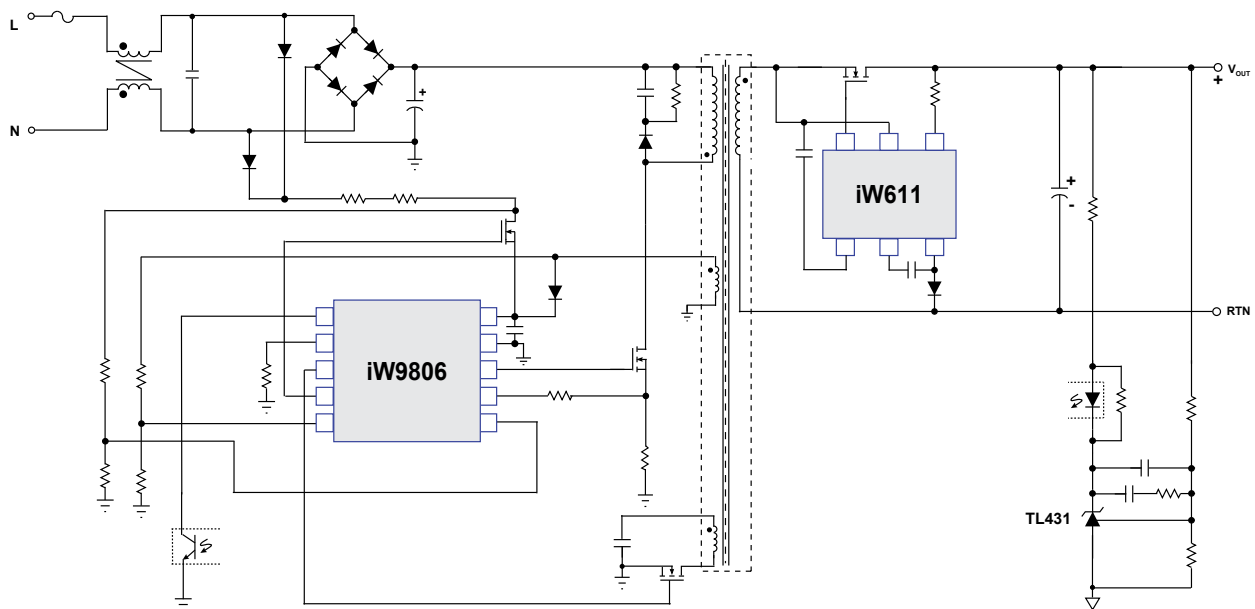


AC/DC *RapidCharge*™ Adapter Solutions (continued)

iW9806 + iW611

Digital ZVS Controller Optimized for GaN

- iW9806 AC/DC digital primary-side controller with Renesas' patented [Zero Voltage Switching \(ZVS\)](#) control
- Optimized for GaN power ICs
- Supports third-party USB PD secondary-side controllers
- Low EMI and no audible noise
- High switching frequency up to 200kHz enables
 - Smaller, lighter weight transformer
 - Lowest BOM cost
- Works with industry-standard interfaces (e.g. TL431)
- Works with *iW611* synchronous rectifier optimized for ZVS to enable > 90% efficiency



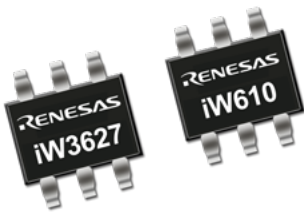
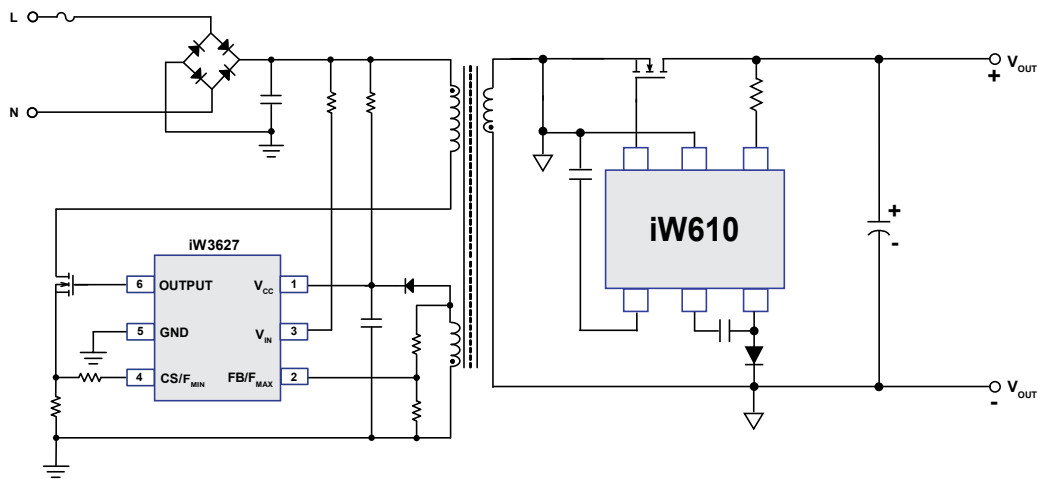
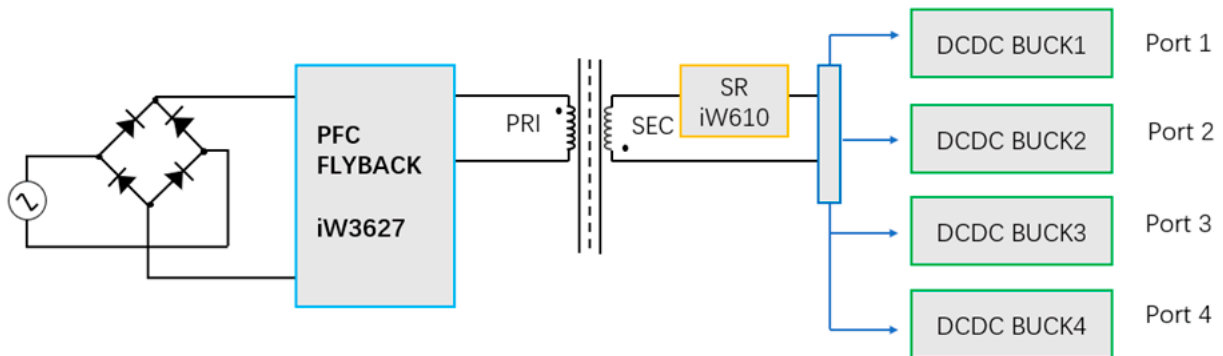
iW9806 Conducted EMI

AC/DC *RapidCharge*[™] Adapter Solutions (continued)

iW3627 + iW610-01C

Single Stage PFC for Multi-port TA Application

- [iW3627](#) Single stage PFC with primary-side control
- [iW610-01C](#) Synchronous Rectifier for pair with PSR controller
- Low EMI and no audible noise
- Achieve >93% efficiency with 0.99 PF
- Support up to 200W multi-port TA application



SOT23-6

Space-Saving Packages



Low Cost 100W Multi-port Solution

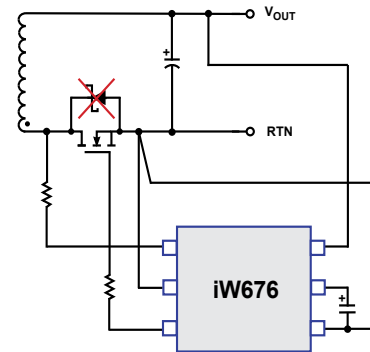
AC/DC Secondary-Side ICs

Product	Voltage Position Controller	Synchronous Rectifier Controller	Quiescent Current	Features	Package
iW610		✓	< 150µA at no load	<ul style="list-style-type: none"> Low V_{CC} charging loss Optimized for high power density applications Optimized to support Quasi-Resonant, DCM, CCM Flyback, ZVS & Active Clamp Flyback topologies 	SOT23-6
iW610-01C		✓	< 150µA at no load	<ul style="list-style-type: none"> Pair with PSR controller Low V_{CC} charging loss Optimized for high power density applications Optimized to support Quasi-Resonant, DCM, CCM Flyback, ZVS & Active Clamp Flyback topologies 	SOT23-6
iW611		✓	< 150µA at no load	<ul style="list-style-type: none"> Low V_{CC} charging loss Optimized for high power density applications Optimized to support high frequency Quasi-Resonant, DCM, CCM Flyback, ZVS and Active Clamp Flyback topologies 	SOT23-6
iW673		✓	< 450µA at no load	<ul style="list-style-type: none"> Replaces Schottky diode with MOSFET 	SOT23-6
iW676	✓	✓	< 650µA at no load	<ul style="list-style-type: none"> 25V Output, optimized for lowest BOM cost in applications up to 12V Optimized for direct charging applications down to 3V 	SOT23-6
iW873		✓	< 450µA at no load	<ul style="list-style-type: none"> Integrated 60V power MOSFET 	S0-8

[iW673](#), [iW676](#)

Digital Synchronous Rectifiers Replace Schottky Diode for Higher Efficiency, Ultra-Compact Power Adapters

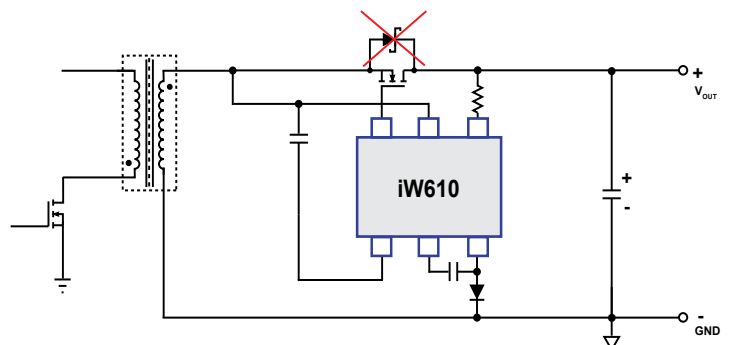
- Eliminates parallel Schottky diode for lower BOM cost
- Added benefits of [iW676](#)
 - 25V output, optimized for lowest BOM cost in applications up to 12V
 - Optimized for Direct Charging applications down to 3V
 - Incorporates AVP (Active Voltage Positioning) for fast dynamic load response
- [DiaSIM™](#) simulation models available



[iW610](#), [iW611](#)

Synchronous Rectifier Controllers Optimized for ZVS

- Optimized for high power density ZVS applications
 - Supports multiple flyback topologies: QR, DCM/CCM mode, active clamp, ZVS
- Patented V_{CC} charging technology for higher system efficiency
- Support for high-side and low-side SR topologies
 - No auxiliary winding required
- Wide operating output voltage: 3V - 28V
- High frequency switching up to 500kHz ([iW611](#))



High-side synchronous rectification using [iW610](#) or [iW611](#)

AC/DC PWM ICs with Integrated *AccuSwitch*[™] High-Voltage Switch

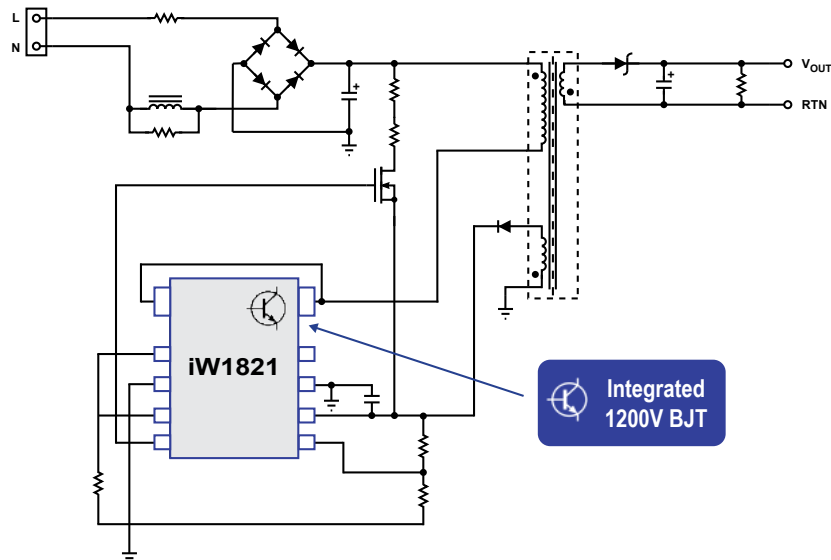
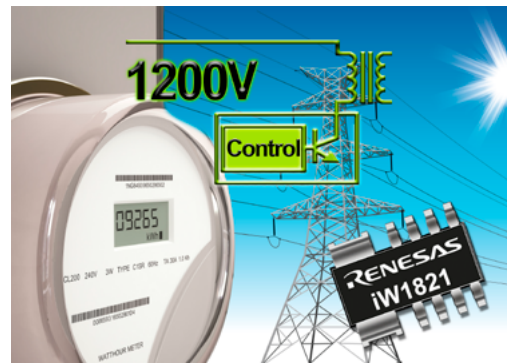
Product	Typical Output Power (max.)	Regulation	Power Supply Topology	No-Load Standby Power	Driver Type	Features	Package
iW1816	5W	Primary-side	Isolated Flyback	< 30mW	Integrated 800V BJT		SO-7
iW1818	12W	Primary-side	Isolated Flyback	< 50mW	Integrated 800V BJT		PDIP-7
iW1821	12W	Primary-side	Isolated Flyback	< 50mW	Integrated 1200V BJT	<ul style="list-style-type: none"> Optimized for high-voltage 3-phase systems 	SO-10 Batwing
RAA223181	12W	Secondary-side	Isolated Flyback	<150mW	Integrated 900V FET	<ul style="list-style-type: none"> Single 400V input capacitor for input up to 450V_{AC} Frequency doubling for heavy load operation, up to 12W within 100ms Programmable fixed switching frequency, friendly with PLC communication Valley switching for best efficiency and EMI across full load range 	SOIC16-13
RAA223182	11W	Secondary-side	Isolated Flyback	<150mW	Integrated 1000V FET	<ul style="list-style-type: none"> Single 400V input capacitor for input up to 450V_{AC} Frequency doubling for heavy load operation, up to 21W within 100ms Programmable fixed switching frequency, friendly with PLC communication Valley switching for best efficiency and EMI across full load range 	SOIC16-13
RAA223183	11W	Secondary-side	Isolated Flyback	<150mW	Integrated 1000V FET	<ul style="list-style-type: none"> Single 400V input capacitor for input up to 450V_{AC} Frequency doubling for heavy load operation, up to 11W within 100ms Programmable fixed switching frequency, friendly with PLC communication Valley switching for best efficiency and EMI across full load range 	SOIC16-13
iW1820	15W	Primary-side	Isolated Flyback	< 30mW	Integrated 800V BJT	<ul style="list-style-type: none"> Optimized for 5V output 	SO-10 Batwing
iW1830	15W	Primary-side	Isolated Flyback	< 50mW	Integrated 700V FET	<ul style="list-style-type: none"> Optimized for 12V output 	PDIP-7
NEW RAA223881	15W	Secondary-side	Isolated Flyback		Integrated 700V FET	<ul style="list-style-type: none"> Quasi-resonant switching at full load and PFM at light load for best efficiency and EMI across full load range 	PDIP-7
iW1819	18W	Primary-side	Isolated Flyback	< 30mW	Integrated 800V BJT		SO-10 Batwing
iW1822	18W	Primary-side	Isolated Flyback	< 30mW	Integrated 900V BJT	<ul style="list-style-type: none"> 900V high breakdown voltage 	SO-10 Batwing
iW1825	25W	Primary-side	Isolated Flyback	< 75mW	Integrated 700V FET	<ul style="list-style-type: none"> Configurable light load mode 	SO-10 Batwing
NEW RAA223882	30W	Secondary-side	Isolated Flyback		Integrated 700V FET	<ul style="list-style-type: none"> Quasi-resonant switching at full load and PFM at light load for best efficiency and EMI across full load range 	PDIP-7

AC/DC PWM ICs with Integrated *AccuSwitch*[™] High-Voltage Switch

iW1821, iW1822

PWM Controllers Optimized for Smart Electricity Meters

- PWM controller and BJT in one package
 - [iW1821](#): 12W output, integrated 1200V BJT, for high voltage three-phase meters
 - [iW1822](#): 18W output, integrated 900V BJT, for single-phase and three-phase meters
- **PrimAccurate**[™] digital primary-side regulation eliminates optocoupler
- Isolated flyback power supply topology without adding components
- Optimized to start into large capacitive loads up to 6,000 μ F
- High light-load and active-mode efficiency
- Low standby power [iW1821](#) < 50mW, [iW1822](#) < 30mW
- **EZ-EMI**[™] - valley mode switching lowers EMI, reduces filtering components size/cost
- Innovative 10-lead SOIC Batwing package
 - Based on JEDEC-standard SOIC-14
 - Provides high-voltage isolation
 - Small footprint, enhanced thermal performance

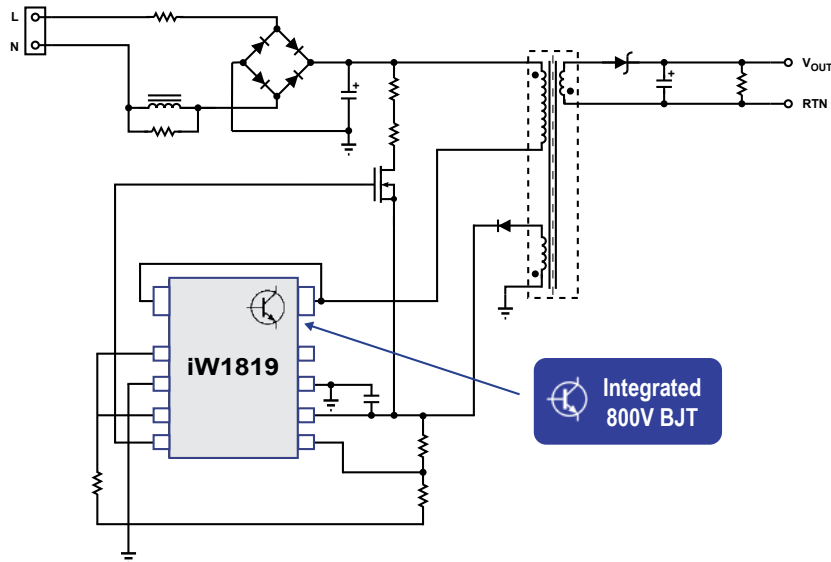


AC/DC PWM ICs with Integrated *AccuSwitch*[™] High-Voltage Switch

iW1816, iW1819

AccuSwitch[™] PWM Controllers Optimized for Appliances

- PWM controller and BJT in one package
 - [iW1816](#): 5W output, integrated 800V BJT
 - [iW1819](#): 18W output, integrated 800V BJT
- *PrimAccurate*[™] digital primary-side regulation eliminates optocoupler
- Isolated flyback power supply topology without adding components
- Optimized to start into large capacitive loads up to 6,000 μ F
- High light-load and active-mode efficiency
- Low standby power < 30mW
- *EZ-EMI*[™] - valley mode switching lowers EMI, reduces filtering components size/cost
- Innovative 10-lead SOIC batwing package ([iW1819](#))
 - Based on JEDEC-standard SOIC-14
 - Provides high-voltage isolation
 - Small footprint, enhanced thermal performance



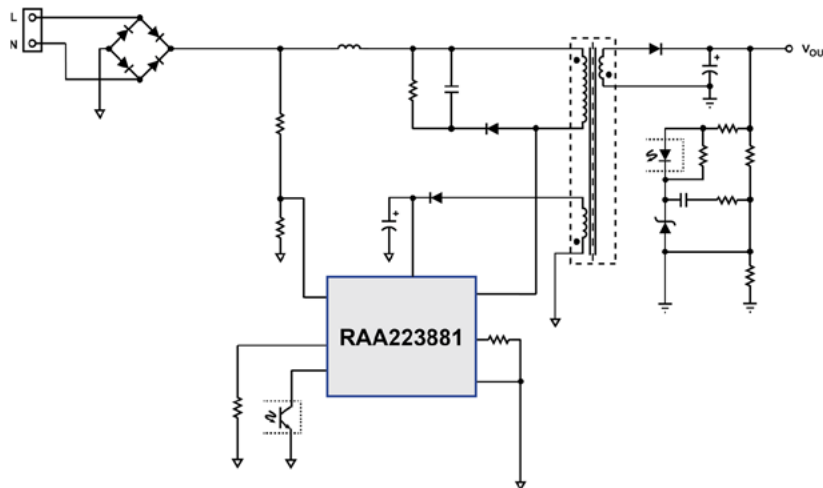
AC/DC PWM ICs

RAA22388X 700V Flyback Regulators from 15W to 30W+

RAA223881, RAA223882

RAA22388X 700V Flyback Regulators from 15W to 30W+

- Built-in avalanche-rated 700V MOSFET:
 - [RAA223881](#): up to 15W, integrated 700V 5W MOSFET, PDIP-7
 - [RAA223882](#): up to 30W, integrated 700V 1.4W MOSFET, PDIP-7
- Built-in 700 V startup JFET for low standby power
- 65kHz switching frequency
- Best efficiency and EMI across full load range
 - PWM @ full load
 - PFM @ light load
- Current-Mode operation, Burst Mode for Low Standby Power
- Full Protection Features, including ULVO, OVP, OLP, OTP, SCP, Latch-Off Protection



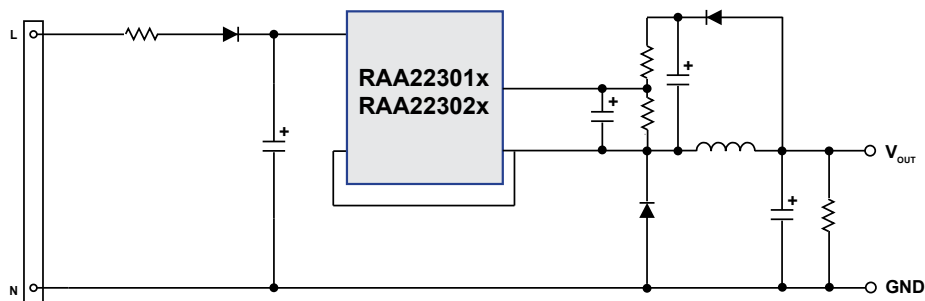
AC/DC Non-Isolated High-Voltage Buck Regulators

Product	Typical Output Power (max.)	Power Supply Topology	No-Load Standby Power	Driver Type	Key Features	Package
RAA223012	2.5W	Non-Isolated Buck	<10mW	Integrated 700V MOSFET	▪ Low EMI, no audible noise, supports 3.3V or 5V output directly - no second-stage LDO needed	TSOT23-5, SOIC-8
RAA223011	5W	Non-Isolated Buck	<10mW	Integrated 700V MOSFET	▪ Low EMI, no audible noise, supports 3.3V or 5V output directly - no second-stage LDO needed	TSOT23-5, SOIC-8-7, SOIC-8
RAA223010	10W	Non-Isolated Buck	~ 5-30mW	Integrated 700V MOSFET	▪ Low EMI, no audible noise, supports 3.3V or 5V output directly - no second-stage LDO needed	SOIC8-7
RAA223021	12W	Non-Isolated Buck	< 20mW	Integrated 700V MOSFET	▪ Low EMI, no audible noise, supports 3.3V or 5V output directly - no second-stage LDO needed	SOIC8-7

RAA223010

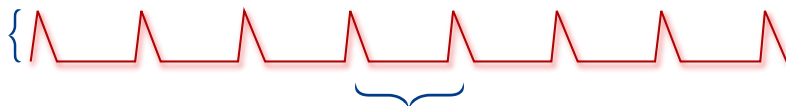
Key Features

- Non-isolated buck makes AC/DC design easy
 - Eliminates power transformer
- Also supports flyback topologies
- No audible noise, even at light load
- Low standby power: 5 to 30mW
- Low EMI (conducted and radiated)
- Supports 3.3V or 5V output directly
 - No second-stage LDO needed



Renesas' Quiet light-load PFM Mode

Low peak current keeps filter components quiet



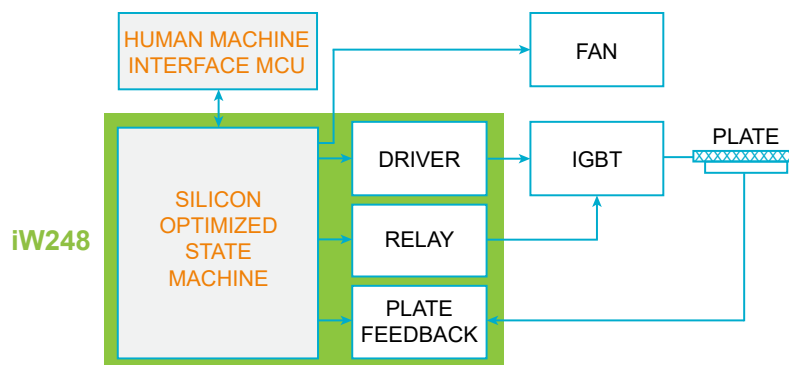
Controlled frequency eliminates sub-harmonic energy

Induction Cooker Controller

iW248

Smart IGBT Controller Simplifies Induction Heat Cooker Design

- Digital controller and analog driver blocks in one IC
 - Digital state machine replaces traditional MCU
 - Integrated IGBT controller
 - No programming needed
 - Full functions built in
- Built-in advanced protection circuitry, including:
 - Input voltage and current sense circuit
 - System component temperature sense circuit
 - Pan detection circuit to protect IGBT
 - Over-voltage protection for IGBT collector
 - Three dedicated over-temperature protection pins
 - Input surge protection
 - Output power compensation
 - EMI enhancement
- Eliminates up to 35 components
- Low-power continuous mode operation option
- 10W resolution power control, starts from 0W
- Supports 110V_{AC} and 220V_{AC}



[See Renesas iW248 video](#)

SSL LED Drivers Commercial

Two-Stage SSL Phase-Cut Drivers

Product	Typical Output Power	Power Factor	Topology	Maximum Switching Frequency	Boost Driver Type	Flyback Driver Type	Dimming Range	Features	Package
iW3614	3W - 15W	PF > 0.9	2 Stages	200kHz	FET	FET	1% - 100%	<ul style="list-style-type: none"> Phase-cut dimming 	S0-8
iW3616	3W - 12W	PF > 0.95	2 Stages	200kHz	BJT	FET	1% - 100%	<ul style="list-style-type: none"> Phase-cut dimming 	S0-14
iW3617	12W - 25W	PF > 0.95	2 Stages	200kHz	BJT	FET	1% - 100%	<ul style="list-style-type: none"> Phase-cut dimming 	S0-14

Single-Stage PFC and PFC Flyback SSL Controllers

Product	Typical Output Power	Power Factor	Topology	Maximum Switching Frequency	Boost Driver Type	CC Tolerance	Flyback Driver Type	Features	Package
iW2206	3W - 250W	PF > 0.9	1 Stage (Boost PFC)	300kHz	FET	N/A	N/A	<ul style="list-style-type: none"> High-power boost PFC front-end controller Configurable DC bus voltage 	SOT23-6
iW3627	3W - 90W	PF > 0.9	1 Stage Constant Voltage	Configurable 90kHz or 120kHz	N/A	N/A	FET	<ul style="list-style-type: none"> PFC front-end controller Output OVP, OCP Over-temperature protection 	SOT23-6
iW3636	3W - 90W	PF > 0.9	1 Stage	Configurable 72kHz or 90kHz	N/A	± 5%	1% - 100%	<ul style="list-style-type: none"> 0-10V & PWM dimming 	S0-8
iW3671	3W - 90W	PF > 0.9	1 Stage	300kHz	N/A	± 5%	FET	<ul style="list-style-type: none"> PFC front-end controller CV/CC flyback 	SOT23-6
iW3677	3W - 90W	PF > 0.9	1 Stage	300kHz	N/A	± 5%	FET	<ul style="list-style-type: none"> PFC front-end controller CV/CC flyback Integrated high-voltage startup 	S0-7
iW3827	3W - 8W	PF > 0.9	1 Stage Constant Voltage	Configurable 90kHz or 120kHz	N/A	N/A	Internal 650V FET	<ul style="list-style-type: none"> Output OVP, OCP Over-temperature protection 	S0-7

SSL LED Drivers Commercial (continued)

SSL Interface ICs

Product	Voltage	Optocoupler Delay Elimination	Dimming			Features	Package
			Analog	PWM	Resistive		
iW330	5V - 60V Operating	Yes	0-10V, 0-5V ✓	0-10V, 0-5V ✓	✓	▪ Serial Interface Controller	S0-8
iW337	15V - 60V Operating	Yes	✓	✓	✓	▪ Serial Interface Controller	S0-8
iW338	8V - 60V Operating	No	✓			▪ 0 - 0.6V Analog Interface Controller	S0-8
iW339	15V - 60V Operating	Yes	✓	✓	✓	▪ Serial Interface Controller	S0-8
iW350	15V - 60V Operating	Yes	✓	✓	✓	▪ Serial Interface Controller with programmable: - Minimum duty - Maximim voltage - PWM frequency range - Turn-off voltage	S0-8
NEW RRW60360	14V - 55V Operating	Yes	✓	✓	✓	▪ Dual-channel Interface Controller with programmable: - Minimum duty - Maximim voltage - PWM frequency range - Turn-off voltage	S0-8

Second-Stage SSL PWM Controllers

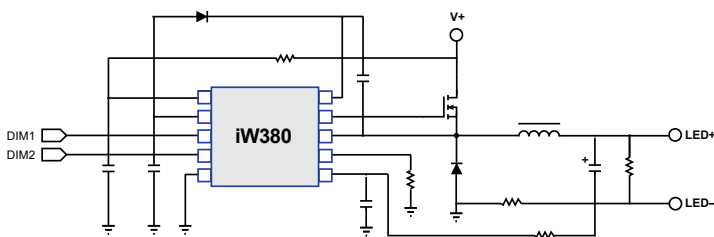
Product	Input Voltage	Output Power	Integrated FET	Dimming Range	Features	Package
iW3638	Low-voltage DC	90W	N/A	1% - 100%	▪ Buck Regulator with True DC dimming	S0-8
iW3637	High-voltage DC or AC	150W	N/A	1% - 100%	▪ Buck/Flyback Regulator with True DC dimming	S0-8
iW380	22V - 78V Input	150W	N/A	0.0625% ~ 100%	▪ Buck Regulator with high-resolution True DC dimming ▪ IEC62386-2014 DALI-2 compliant ▪ iW380-40 for stage lighting applications	S0-10
iW388	22V - 78V Input	40W	Yes	0.0625% ~ 100%	▪ Buck Regulator with high-resolution True DC dimming ▪ IEC62386-2014 DALI-2 compliant ▪ Integrated MOSFET	S0-10 Batwing

SSL LED Drivers Commercial (continued)

iW380, iW388

High-Resolution, True DC Dimming Solutions for DALI, Stage Lighting

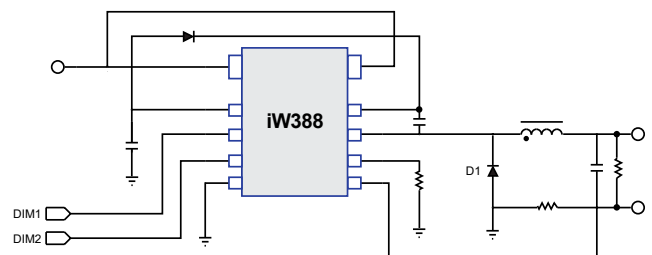
- High-resolution, second-stage PWM buck controllers
- True DC dimming – low-end dimming without flicker
 - Deep dimming range: 0.0625% to 100%
 - Flicker-free dimming resolution: 0.0625% steps
- IEC62386-2014 DALI-2 compliant
- 3-in-1 dimming: RSET, PWM, analog
- Wide input voltage range: 22V – 78V



iW380: 150W Low-Voltage Buck Controller



SOIC-10 Package



iW388: 40W Low-Voltage Buck Controller with Integrated MOSFET



Innovative SO-10 Batwing Package

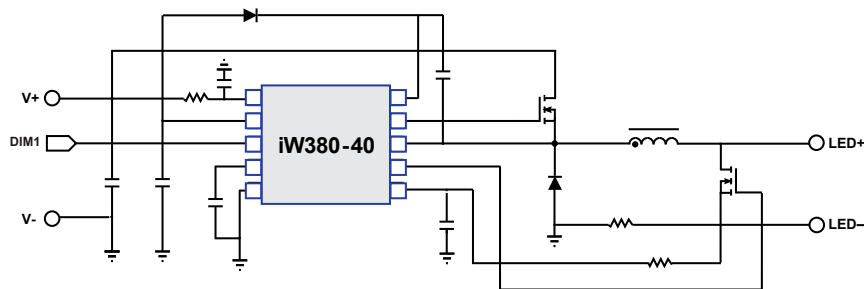
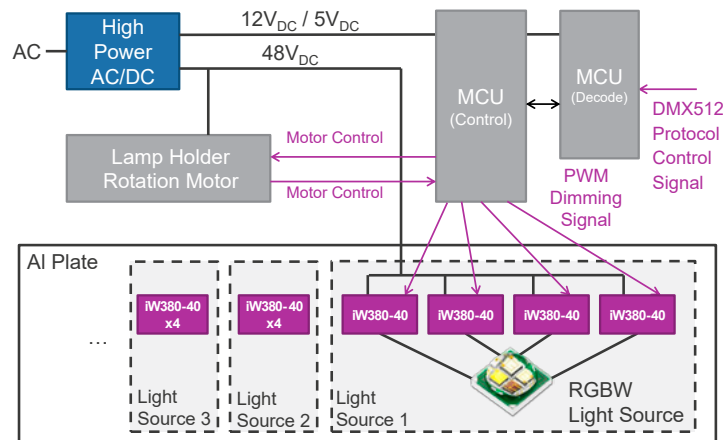
- Based on JEDEC-standard SOIC-14
- Provides high-voltage isolation
- Small footprint, enhanced thermal performance

SSL LED Drivers Commercial (continued)

iW380-40

High-Resolution, High-Frequency PWM Controller Optimized for Stage Lighting

- High-resolution, second-stage PWM buck controller
- DC dimming combined with PWM dimming
 - Deep dimming range: 0.01% to 100%
 - Flicker-free dimming resolution: 0.0625% steps
- PWM control for accurate color mixing
- Fast PWM dimming: 20kHz to 35kHz input frequency range
- Uses power NMOS as buck main switch
- Highly integrated to reduce BOM size/cost
 - Built-in LED short-circuit MOS driver (Shunt pin)
 - Internal reverse MCU PWM signal
- Digital control
 - Simplifies design, eliminates many resistors and capacitors
 - Enables stable, flickerless low-end dimming

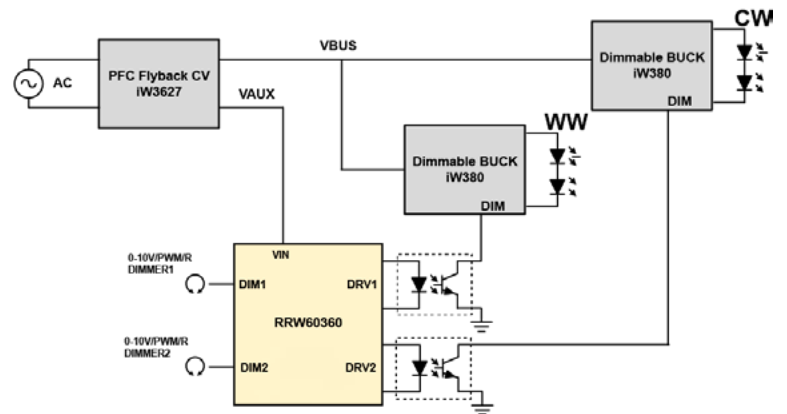


SSL LED Drivers Commercial (continued)

RRW60360

Dual Channel SSL Interface Controller

- 14V to 55V V_{IN}
- Dual input / dual output
 - 3 in 1 dimmer input (0-10V, PWM and Rset)
 - Independent or related two outputs
 - ✓ **Similar performance as MCU, but less cost!**
- High dimming resolution
 - 0.1% resolution for 0-10V and R dimming
 - 0.025% resolution for PWM dimming
- Rich configurations for min output duty, turn-off threshold, and max dimming voltage
- Flexible PWM output frequency options: configurable 0.1 - 1.3kHz, 0.4 - 5kHz, and 20kHz
- Low power mode



SOIC-8 Package

SSL LED Drivers Commercial (continued)

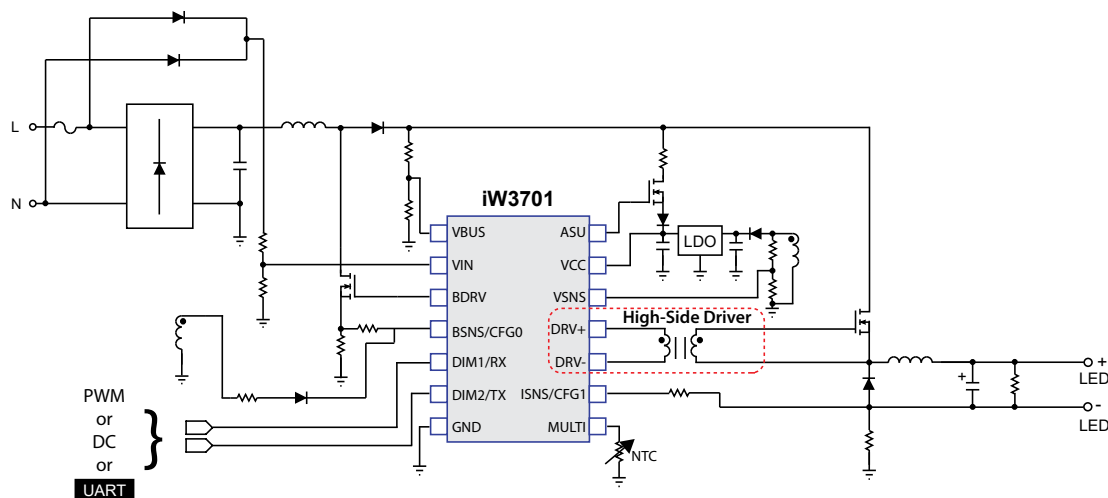
Combo SSL LED Drivers

Product	Typical Output Power	Power Factor	Topology	Maximum Switching Frequency	Dimming Resolution	CC Tolerance	Flyback Driver Type	Features	Package
iW3629	5W - 120W	PF > 0.95	2 Stages (Boost+Flyback)	200kHz	N/A	± 5%	FET	<ul style="list-style-type: none"> Non-dimmable Flickerless high PF and low THD combo chip Over-temperature protection and derating, optional external NTC 	SO-14
iW3631	5W - 120W	PF > 0.95	2 Stages (Boost+Flyback)	200kHz	N/A	± 5%	FET	<ul style="list-style-type: none"> 0-10V Dimming Flickerless high PF and low THD combo chip Over-temperature protection and derating, optional external NTC 	SO-14
iW3700	5W - 120W	PF > 0.95	2 Stages (Boost+Flyback)	200kHz	0.0625%	± 3%	FET	<ul style="list-style-type: none"> UART or 3-in-1 dimming option Flickerless high PF and low THD combo chip 0.0625% dimming resolution 	SO-14
iW3701	5W - 200W	PF > 0.95	2 Stages (Boost+HV Buck)	200kHz	0.0625%	± 3%	FET	<ul style="list-style-type: none"> UART or 3-in-1 dimming option Flickerless high PF and low THD combo chip 0.0625% dimming resolution 	SO-14

iW3700, iW3701

Digital Combo SSL Controllers Optimized for Industrial Lighting

- Digital PFC + flyback and PFC + buck topologies
- True DC dimming – low-end dimming without flicker
 - Maximum dimming range: 0.0625% to 100%
 - Flicker-free dimming resolution: 0.0625% steps
- High PF > 0.95 with low THD < 20% at 277V/50Hz, 50% load
- Digital PFC stage optimizes for high PF, low THD at light loads with fast dynamic load response
 - Enables use of small input capacitors with low voltage rating for higher power density, lower cost
- Meets IEC61000-3-2 harmonic current requirements
- Dual dimming ports for application flexibility
 - One port: field program maximum LED current
 - Second port: 3-in-1 dimming (0-10V analog, PWM, resistive)
- UART communication simplifies design for smart applications (e.g. IEC62386-2014 DALI-2)

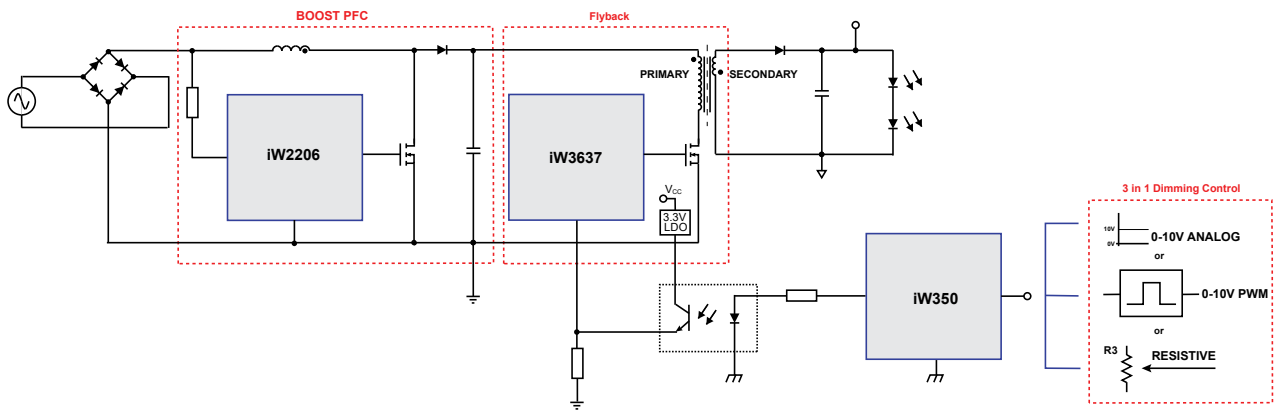


PFC Front-End Controllers

iW2206

High-Power Boost Front-End Controller with PFC

- Universal AC input ($90V_{AC} - 305V_{AC}$)
- Output power up to 250W
- Low standby power < 150mW at $230V_{AC}$ with 100W input power
- No audible noise at steady and dynamic load
- Configurable DC bus voltage
- High PF > 0.9, with low THD < 10% at $120V_{AC}$ and $230V_{AC}$ with full load
- Meets IEC61000-3-2 harmonic current requirements

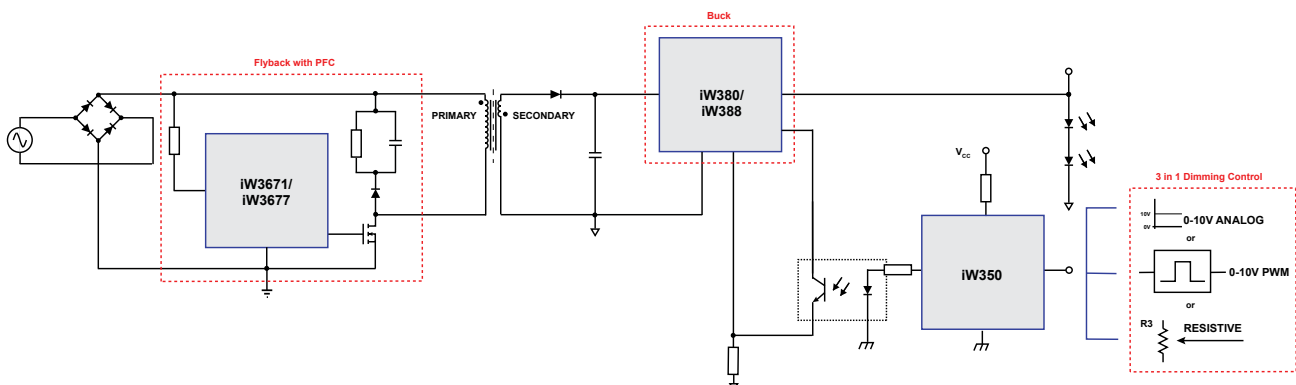


Boost PFC + Flyback/LLC/Forward LED Driver Application

iW3671, iW3677

Flyback Front-End Controllers with PFC

- Universal AC input ($90V_{AC} - 305V_{AC}$)
- Output power up to 90W
- Low standby power < 150mW at $230V_{AC}$ with 90W input power
- No audible noise at steady and dynamic load
- High PF > 0.9, with low THD < 10% at $120V_{AC}$ and $230V_{AC}$ with full load
- Meets IEC61000-3-2 harmonic current requirements
- Integrated high-voltage startup (iW3677)



Flyback PFC + Buck LED Driver Application

SSL LED Drivers Residential

Phase-Cut Dimmable LED Drivers

Product	Typical Output Power	Power Factor	Topology	Maximum Switching Frequency	Boost Driver Type	Flyback Driver Type	Dimming Range	Features	Package
iW3602	3W - 10W	PF > 0.9	2 Stages	200kHz	FET	FET	1% - 100%	<ul style="list-style-type: none"> Phase-cut dimming 	S0-8
iW3605	5W - 25W	PF > 0.92	1 Stage	90kHz	N/A	FET	10% - 100%	<ul style="list-style-type: none"> Phase-cut dimming Bleederless 	S0-8
iW3658	3W - 15W	Configurable PF > 0.7 to > 0.9	1 Stage	200kHz	N/A	FET (Integrated)	1% - 100%	<ul style="list-style-type: none"> Phase-cut dimming Integrated FET 	S0-7
iW3662	4W - 8W	PF > 0.7	2 Stages	1MHz	FET	FET	5% - 100%	<ul style="list-style-type: none"> Phase-cut dimming Magnetic or electronic transformer capable 	QFN-16
iW3688	3W - 20W	PF > 0.92	1 Stage	90kHz	N/A	FET	1% - 100%	<ul style="list-style-type: none"> Phase-cut dimming Configurable temperature derating point 	S0-14
iW3689	3W - 25W	PF > 0.92	1 Stage	200kHz	N/A	FET	1% - 100%	<ul style="list-style-type: none"> Phase-cut dimming Configurable temperature derating point 	S0-8
iW3989	3W - 15W	Configurable PF > 0.7 to > 0.9	Linear	N/A	N/A	FET	1% - 100%	<ul style="list-style-type: none"> AC direct phase-cut dimming 	QFN-12

Non-Dimmable LED Drivers

Product	Typical Output Power	Power Factor	Topology	Maximum Switching Frequency	Boost Driver Type	CC Tolerance	Flyback Driver Type	Features	Package
iW3626	3W - 10W	Configurable PF > 0.7 to > 0.9	1 Stage	72kHz	N/A	± 5%	BJT	<ul style="list-style-type: none"> LED Open/Short Over-temperature protection and derating 	SOT23-6
iW3625	10W-45W	Configurable PF > 0.7 to > 0.9	1 Stage	72kHz	N/A	± 5%	FET	<ul style="list-style-type: none"> LED Open/Short Over-temperature protection and derating 	SOT23-6

Notice

1. Descriptions of circuits, software and other related information in this document are provided only to illustrate the operation of semiconductor products and application examples. You are fully responsible for the incorporation or any other use of the circuits, software, and information in the design of your product or system. Renesas Electronics disclaims any and all liability for any losses and damages incurred by you or third parties arising from the use of these circuits, software, or information.
2. Renesas Electronics hereby expressly disclaims any warranties against and liability for infringement or any other claims involving patents, copyrights, or other intellectual property rights of third parties, by or arising from the use of Renesas Electronics products or technical information described in this document, including but not limited to, the product data, drawings, charts, programs, algorithms, and application examples.
3. No license, express, implied or otherwise, is granted hereby under any patents, copyrights or other intellectual property rights of Renesas Electronics or others.
4. You shall be responsible for determining what licenses are required from any third parties, and obtaining such licenses for the lawful import, export, manufacture, sales, utilization, distribution or other disposal of any products incorporating Renesas Electronics products, if required.
5. You shall not alter, modify, copy, or reverse engineer any Renesas Electronics product, whether in whole or in part. Renesas Electronics disclaims any and all liability for any losses or damages incurred by you or third parties arising from such alteration, modification, copying or reverse engineering.
6. Renesas Electronics products are classified according to the following two quality grades: "Standard" and "High Quality". The intended applications for each Renesas Electronics product depends on the product's quality grade, as indicated below.
 - "Standard": Computers; office equipment; communications equipment; test and measurement equipment; audio and visual equipment; home electronic appliances; machine tools; personal electronic equipment; industrial robots; etc.
 - "High Quality": Transportation equipment (automobiles, trains, ships, etc.); traffic control (traffic lights); large-scale communication equipment; key financial terminal systems; safety control equipment; etc.
 Unless expressly designated as a high reliability product or a product for harsh environments in a Renesas Electronics data sheet or other Renesas Electronics document, Renesas Electronics products are not intended or authorized for use in products or systems that may pose a direct threat to human life or bodily injury (artificial life support devices or systems; surgical implantations; etc.), or may cause serious property damage (space system; undersea repeaters; nuclear power control systems; aircraft control systems; key plant systems; military equipment; etc.). Renesas Electronics disclaims any and all liability for any damages or losses incurred by you or any third parties arising from the use of any Renesas Electronics product that is inconsistent with any Renesas Electronics data sheet, user's manual or other Renesas Electronics document.
7. No semiconductor product is absolutely secure. Notwithstanding any security measures or features that may be implemented in Renesas Electronics hardware or software products, Renesas Electronics shall have absolutely no liability arising out of any vulnerability or security breach, including but not limited to any unauthorized access to or use of a Renesas Electronics product or a system that uses a Renesas Electronics product. RENESAS ELECTRONICS DOES NOT WARRANT OR GUARANTEE THAT RENESAS ELECTRONICS PRODUCTS, OR ANY SYSTEMS CREATED USING RENESAS ELECTRONICS PRODUCTS WILL BE INVULNERABLE OR FREE FROM CORRUPTION, ATTACK, VIRUSES, INTERFERENCE, HACKING, DATA LOSS OR THEFT, OR OTHER SECURITY INTRUSION ("Vulnerability Issues"). RENESAS ELECTRONICS DISCLAIMS ANY AND ALL RESPONSIBILITY OR LIABILITY ARISING FROM OR RELATED TO ANY VULNERABILITY ISSUES. FURTHERMORE, TO THE EXTENT PERMITTED BY APPLICABLE LAW, RENESAS ELECTRONICS DISCLAIMS ANY AND ALL WARRANTIES, EXPRESS OR IMPLIED, WITH RESPECT TO THIS DOCUMENT AND ANY RELATED OR ACCOMPANYING SOFTWARE OR HARDWARE, INCLUDING BUT NOT LIMITED TO THE IMPLIED WARRANTIES OF MERCHANTABILITY, OR FITNESS FOR A PARTICULAR PURPOSE.
8. When using Renesas Electronics products, refer to the latest product information (data sheets, user's manuals, application notes, "General Notes for Handling and Using Semiconductor Devices" in the reliability handbook, etc.), and ensure that usage conditions are within the ranges specified by Renesas Electronics with respect to maximum ratings, operating power supply voltage range, heat dissipation characteristics, installation, etc. Renesas Electronics disclaims any and all liability for any malfunctions, failure or accident arising out of the use of Renesas Electronics products outside of such specified ranges.
9. Although Renesas Electronics endeavors to improve the quality and reliability of Renesas Electronics products, semiconductor products have specific characteristics, such as the occurrence of failure at a certain rate and malfunctions under certain use conditions. Unless designated as a high reliability product or a product for harsh environments in a Renesas Electronics data sheet or other Renesas Electronics document, Renesas Electronics products are not subject to radiation resistance design. You are responsible for implementing safety measures to guard against the possibility of bodily injury, injury or damage caused by fire, and/or danger to the public in the event of a failure or malfunction of Renesas Electronics products, such as safety design for hardware and software, including but not limited to redundancy, fire control and malfunction prevention, appropriate treatment for aging degradation or any other appropriate measures. Because the evaluation of microcomputer software alone is very difficult and impractical, you are responsible for evaluating the safety of the final products or systems manufactured by you.
10. Please contact a Renesas Electronics sales office for details as to environmental matters such as the environmental compatibility of each Renesas Electronics product. You are responsible for carefully and sufficiently investigating applicable laws and regulations that regulate the inclusion or use of controlled substances, including without limitation, the EU RoHS Directive, and using Renesas Electronics products in compliance with all these applicable laws and regulations. Renesas Electronics disclaims any and all liability for damages or losses occurring as a result of your noncompliance with applicable laws and regulations.
11. Renesas Electronics products and technologies shall not be used for or incorporated into any products or systems whose manufacture, use, or sale is prohibited under any applicable domestic or foreign laws or regulations. You shall comply with any applicable export control laws and regulations promulgated and administered by the governments of any countries asserting jurisdiction over the parties or transactions.
12. It is the responsibility of the buyer or distributor of Renesas Electronics products, or any other party who distributes, disposes of, or otherwise sells or transfers the product to a third party, to notify such third party in advance of the contents and conditions set forth in this document.
13. This document shall not be reprinted, reproduced or duplicated in any form, in whole or in part, without prior written consent of Renesas Electronics.
14. Please contact a Renesas Electronics sales office if you have any questions regarding the information contained in this document or Renesas Electronics products.
 - (Note 1) "Renesas Electronics" as used in this document means Renesas Electronics Corporation and also includes its directly or indirectly controlled subsidiaries.
 - (Note 2) "Renesas Electronics product(s)" means any product developed or manufactured by or for Renesas Electronics.

(Rev. 1.4-28 November 2024)

SALES OFFICES

Refer to "<http://www.renesas.com/>" for the latest and detailed information.

Renesas Electronics Corporation

TOYOSU FORESIA, 3-2-24 Toyosu, Koto-ku, Tokyo 135-0061, Japan

Renesas Electronics America Inc. Milpitas Campus

1001 Murphy Ranch Road, Milpitas, CA 95035, U.S.A.

Tel: +1-408-432-8888, Fax: +1-408-434-5351

Renesas Electronics America Inc. San Jose Campus

6024 Silver Creek Valley Road, San Jose, CA 95138, USA

Tel: +1-408-284-8200, Fax: +1-408-284-2775

Renesas Electronics Canada Limited

9251 Yonge Street, Suite 8309 Richmond Hill, Ontario Canada L4C 9T3

Tel: +1-905-237-2004

Renesas Electronics Europe GmbH

Arcadiastrasse 10, 40472 Düsseldorf, Germany

Tel: +49-211-6503-0, Fax: +49-211-6503-1327

Renesas Electronics (China) Co., Ltd.

Room 101-T01, Floor 1, Building 7, Yard No. 7, 8th Street, Shangdi, Haidian District, Beijing 100085, China

Tel: +86-10-8235-1155, Fax: +86-10-8235-7679

Renesas Electronics (Shanghai) Co., Ltd.

Unit 301, Tower A, Central Towers, 555 Langao Road, Putuo District, Shanghai 200333, China

Tel: +86-21-2226-0888, Fax: +86-21-2226-0999

Renesas Electronics Hong Kong Limited

Unit 1601-1611, 16/F., Tower 2, Grand Century Place, 193 Prince Edward Road West, Mongkok, Kowloon, Hong Kong

Tel: +852-2265-6688, Fax: +852-2886-9022

Renesas Electronics Taiwan Co., Ltd.

13F, No. 363, Fu Shing North Road, Taipei 10543, Taiwan

Tel: +886-2-8175-9600, Fax: +886-2-8175-9670

Renesas Electronics Singapore Pte. Ltd.

80 Bendemeer Road, #06-02 Singapore 339949

Tel: +65-6213-0200, Fax: +65-6213-0300

Renesas Electronics Malaysia Sdn.Bhd.

Unit No 3A-1 Level 3A Tower 8 UOA Business Park, No 1 Jalan Pengaturcara U1/51A, Seksyen U1, 40150 Shah Alam,

Selangor, Malaysia Tel: +60-3-5022-1288, Fax: +60-3-5022-1290

Renesas Electronics India Pvt. Ltd.

No.777C, 100 Feet Road, HAL 2nd Stage, Indiranagar, Bangalore 560 038, India

Tel: +91-80-67208700

Renesas Electronics Korea Co., Ltd.

17F, KAMCO Yangjae Tower, 262, Gangnam-daero, Gangnam-gu, Seoul, 06265 Korea

Tel: +82-2-558-3737, Fax: +82-2-558-5338