

## R-Car Proactive Partner Solution

# Tata Elxsi Connected Gateway using R-Car S4

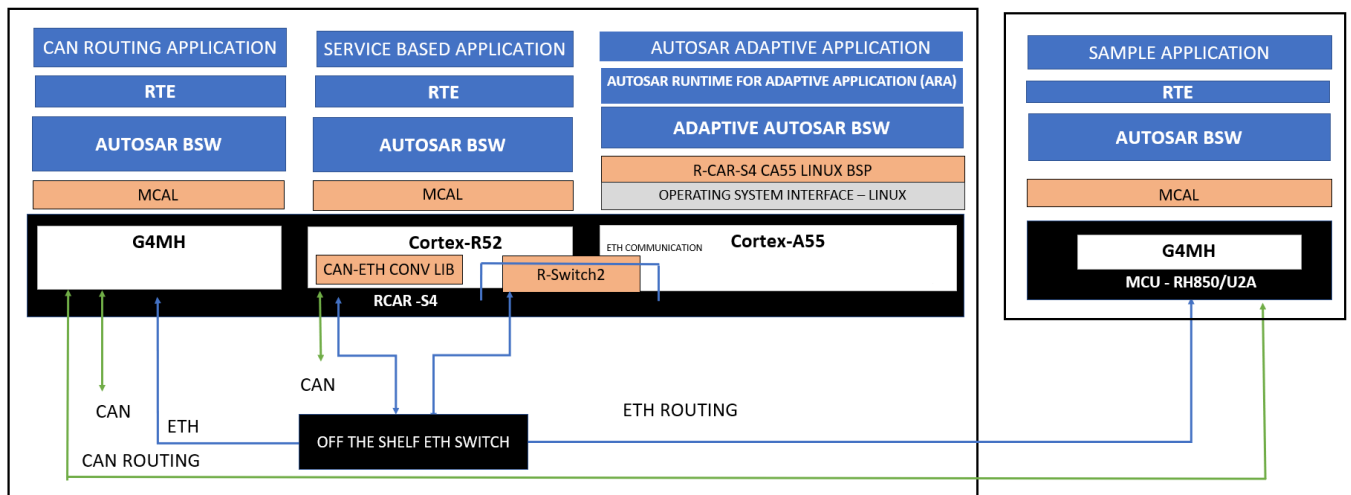
### Solution Summary

Ready to deploy connected gateway use cases based on all the cores in R-Car S4. The reference applications and Tata Elxsi Autosar BSW is integrated with Renesas SDK. External communication is demonstrated using U2A.

### Features/Benefits

- Software CAN-CAN Routing
- Software CAN-ETH Routing
- Software ETH-CAN Routing
- Software ETH-ETH Routing
- Hardware CAN-CAN Routing
- Hardware ETH-ETH Routing
- Adaptive Application
- U2A Application

### Diagrams/Graphics



### Target Markets and Applications

- Central Gateway ECU, Central computing ECU
- Connected Gateway ECU

<b>Company Name</b>	TATA ELXSI LIMITED
<b>Address</b>	ITPB Road, Whitefield, Bangalore 560048, India
<b>Date of Creation</b>	March 30, 1989
<b>CEO</b>	Mr. Manoj Raghavan
<b>Business Description</b>	Design/Technology services for Automotive and Transportation
<b>Website</b>	<a href="https://tataelxsi.com/">https://tataelxsi.com/</a>
<b>Contact</b>	<a href="mailto:info@tataelxsi.com">info@tataelxsi.com</a>

Tata Elxsi is amongst the world's leading providers of design and technology services across industries including Automotive, Media, Communications, Healthcare and Transportation. Tata Elxsi works with leading OEMs and suppliers in the automotive and transportation industries for R&D, design, and product engineering services from architecture to launch and beyond.

Today we are Powering Future Mobility by bringing together our domain experience across Connected, Autonomous, Electric and Software-Defined Vehicles and is supported by a worldwide network of design studios, development centers and offices as well as a global pool of over 12,000 engineers and specialists.