

Interface IP

MIPI D-PHY Transmitter/Receiver for TSMC 22nm ULL

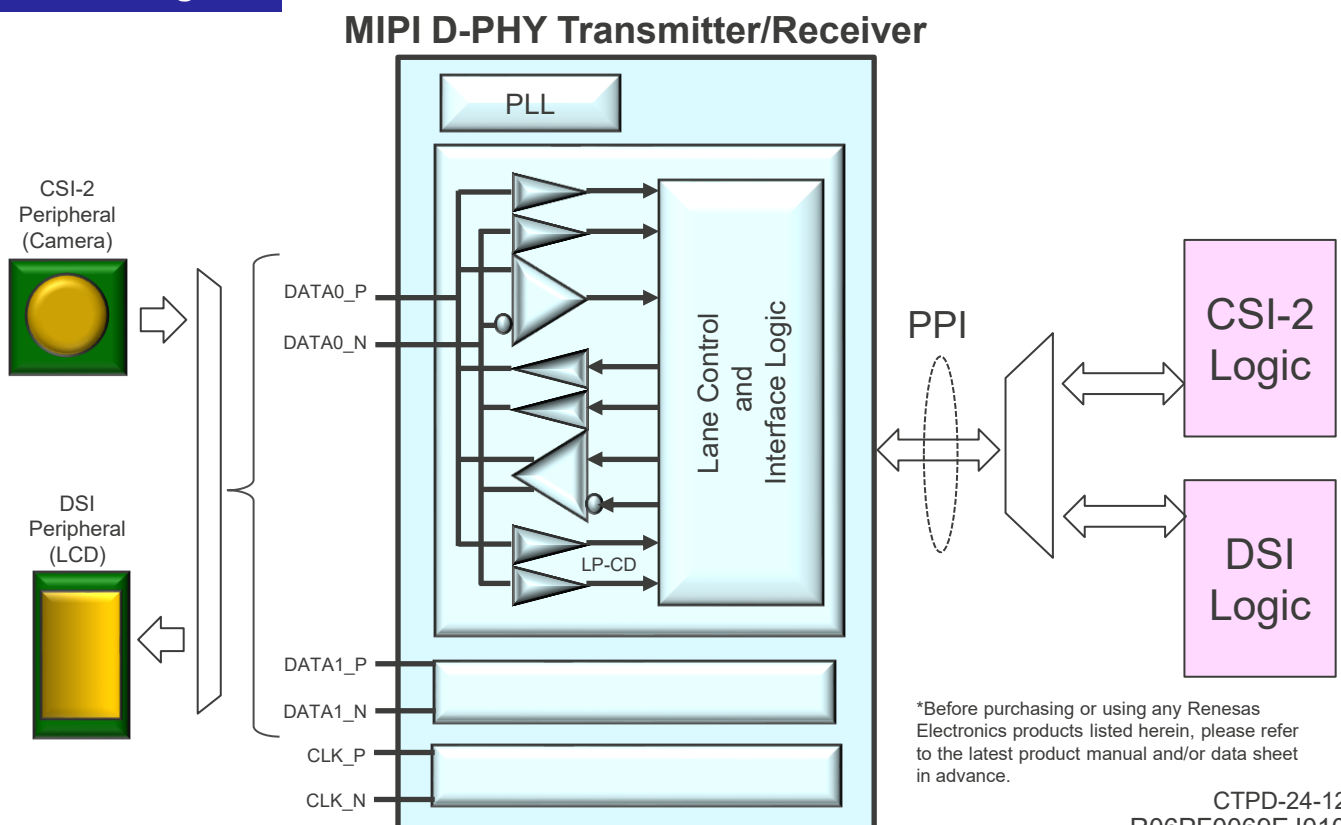
Overview

The Renesas MIPI D-PHYSM Transmitter/Receiver is useful 2 Data Channel transmitter/receiver hard macro for DSISM/CSI-2[®] of TSMC 22nm ULL process.

Features

- Renesas MIPI D-PHY Transmitter/Receiver can be used for analog Transmitter/Receiver of following interface .
 - MIPI alliance Specification for D-PHY Version 2.1 15 December 2016.
 - MIPI alliance Specification for Display Serial Interface (DSI) Version 1.3.1 Aug 2015.
 - MIPI alliance Specification for Camera Serial Interface 2 (CSI-2) Version 2.0 7 Dec 2016.
- Technology is TSMC 22nm ULL 1p9M.
- Supply voltage can be applied 1.1V for core voltage, 1.8V and 3.3V for IO voltage.
- Maximum data rate of each channel is 0.72Gbps at High-speed mode.

Block Diagram



CTPD-24-125
R06PF0069EJ0102