

2000W @ 85V - 264V RMS
385 - 400V DC rated voltage

85V - 264V RMS
20A RMS @ 100V RMS, 7.6A RMS @ 264V RMS

Sheet2
P03301-C0-002
Sheet3
P03301-C0-002

U, V, W (D1)

A, B, Z (D1)

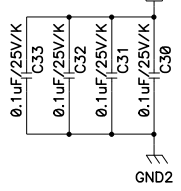
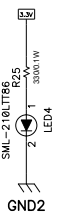
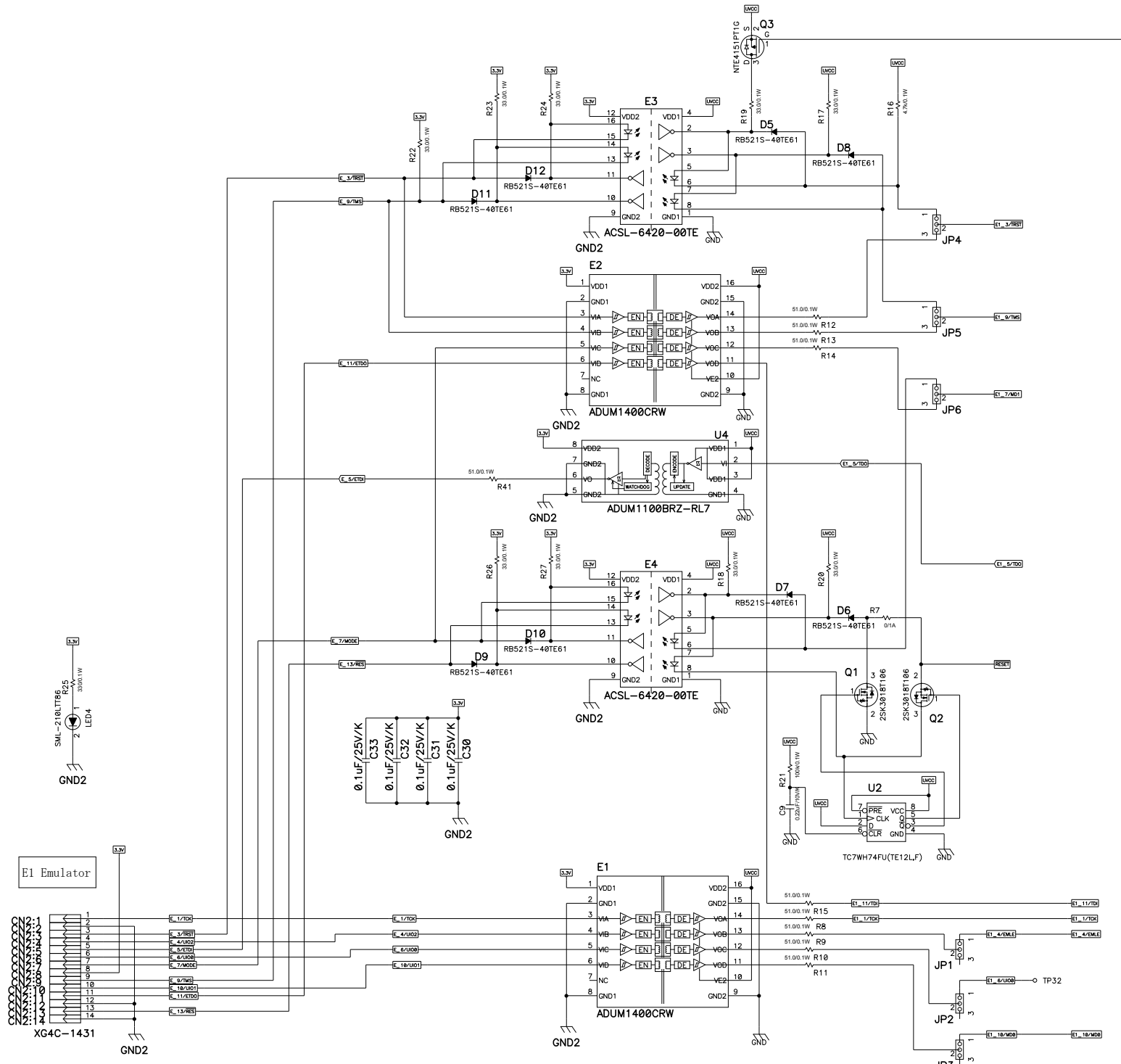
Sheet5
P03301-C0-002

Sheet2
P03301-C0-003

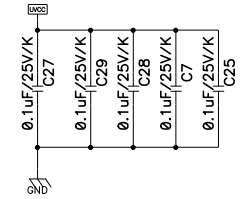
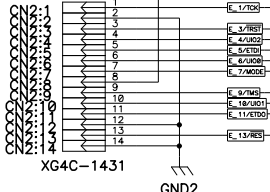
Sheet2
P03301-C0-004

Sheet5
P03301-C0-001

Title REA RX62T HVINV with PFC Discreate IGBT+PFC		
Size A2	Number P03301-C0-002	Rev 0.06
Checked by Sakamoto	Approved by Sakamoto	
Date 2012/06/14	Drawn by MAEDA	
Filename P03301-C0-002_V006.sch	Sheet 1 of 3	



E1 Emulator



Title		
REA RX62T HVINV with PFC Discreate IGBT+PFC		
Size	Number	Rev
A2	P03301-C0-002	0.06
Checked by	Sakamoto	Approved by Sakamoto
Date	2012/06/14	Drawn by MAEDA
Filename	P03301-C0-002_V006.sch	Sheet 2 of 3

