

Interface IP

USB2.0 PHY Transceiver for TSMC 22nm ULL

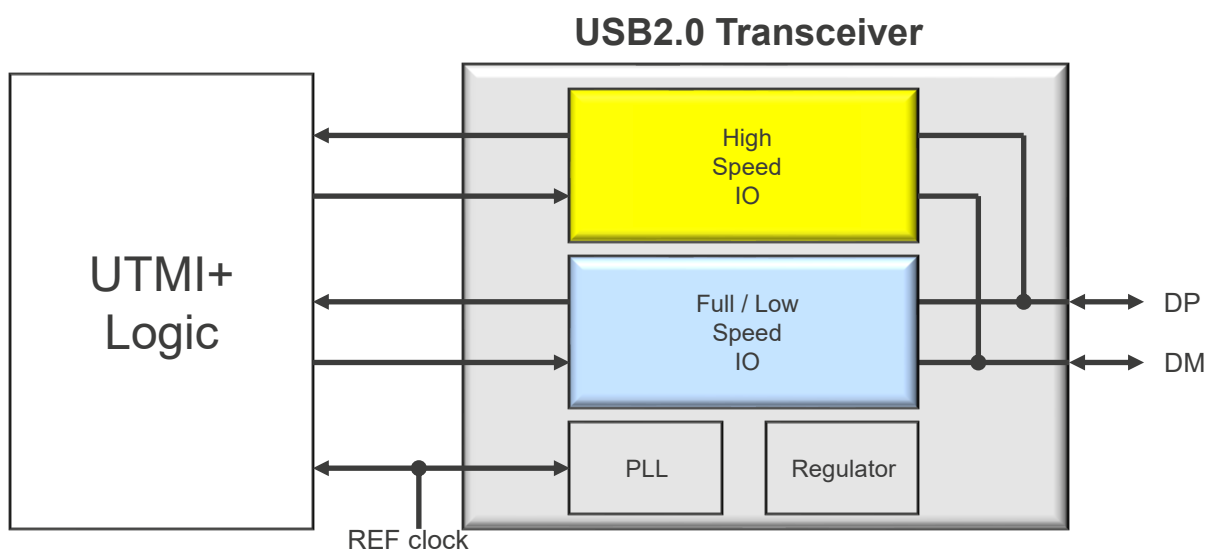
Overview

The Renesas USB2.0 Transceiver is useful analog 1port transceiver hard macro for UTMI+ (USB2.0 Transceiver Marco cell Interface+) Level3 of TSMC 22nm ULL process. This macro can be configured to operate as a USB2.0 peripheral or USB2.0 host controller.

Features

- Renesas USB2.0 Transceiver can be used for analog transceiver of following interface .
 - Universal Serial Bus Specification Revision 2.0
 - Battery Charging Specification Revision 1.2
- Technology is TSMC 22nm ULL 1p9M.
- Supply voltage can be applied 1.1V for core voltage and 3.3V for IO voltage.
- USB transfer mode is High-speed (480 Mbps), Full-speed (12 Mbps), and Low-speed (1.5 Mbps) modes.
- A terminal resistance, pull-up resistor, and pull-down resistor are included.
- Input reference clock is 48MHz, 24MHz, 20MHz and 12MHz.

Block Diagram



*Before purchasing or using any Renesas Electronics products listed herein, please refer to the latest product manual and/or data sheet in advance.

CTPD-24-118
R06PF0067EJ0101