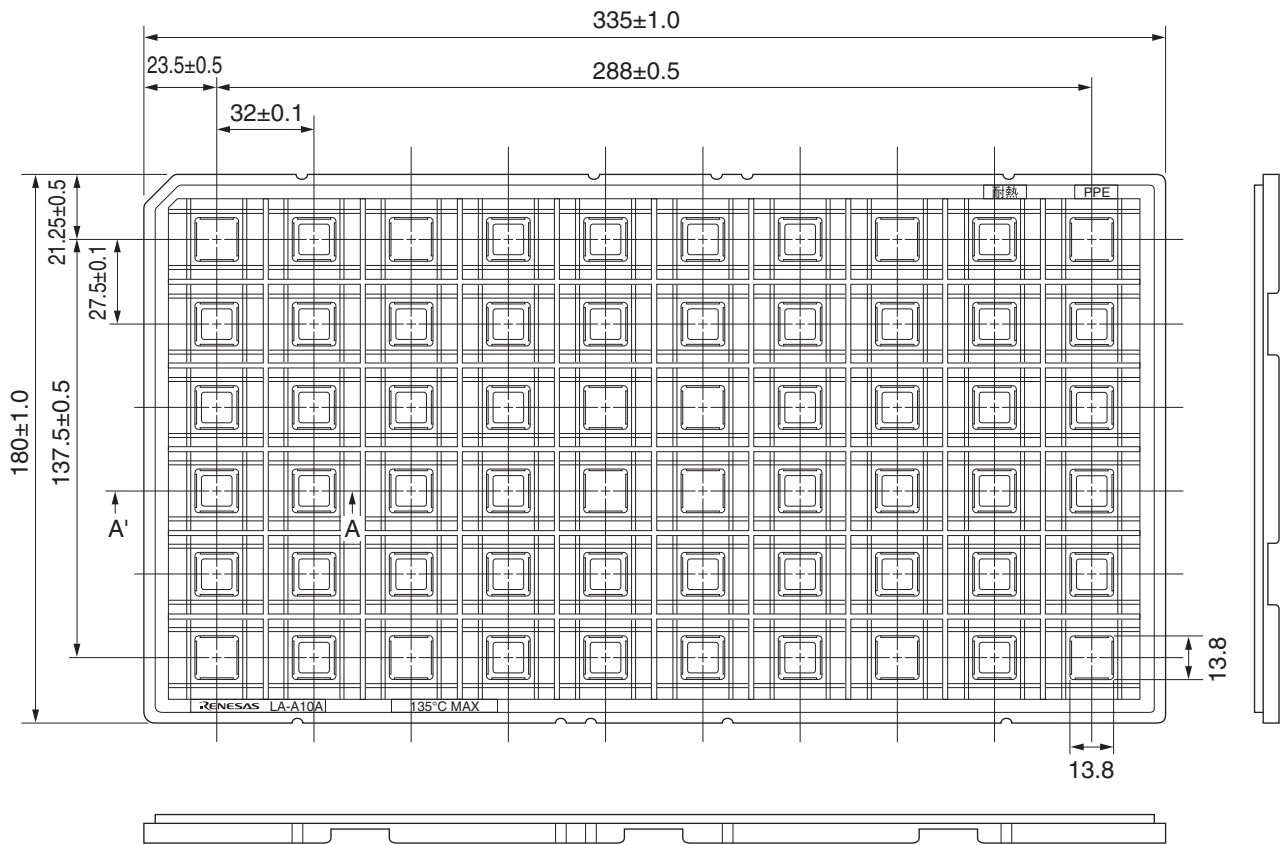
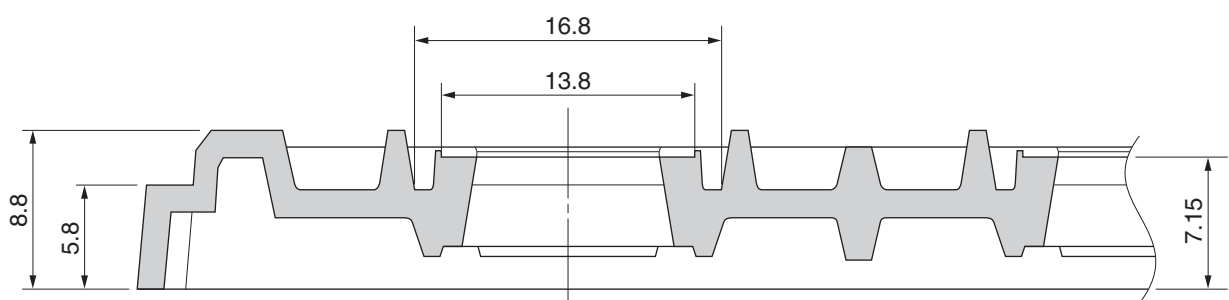


TRAY CONTAINER

UNIT : mm



<SECTION A-A'>



Applied Package	Quantity (pcs)
80pin Plastic QFP (1.4mm thick)	MAX. 60
100pin Plastic QFP (Fine Pitch) (1.45mm thick)	MAX. 60

Tray	LA - A10A
Material	Carbon PPE
Heat Proof Temp.	135°C
Surface resistance	less than $1 \times 10^6 \Omega / \square$