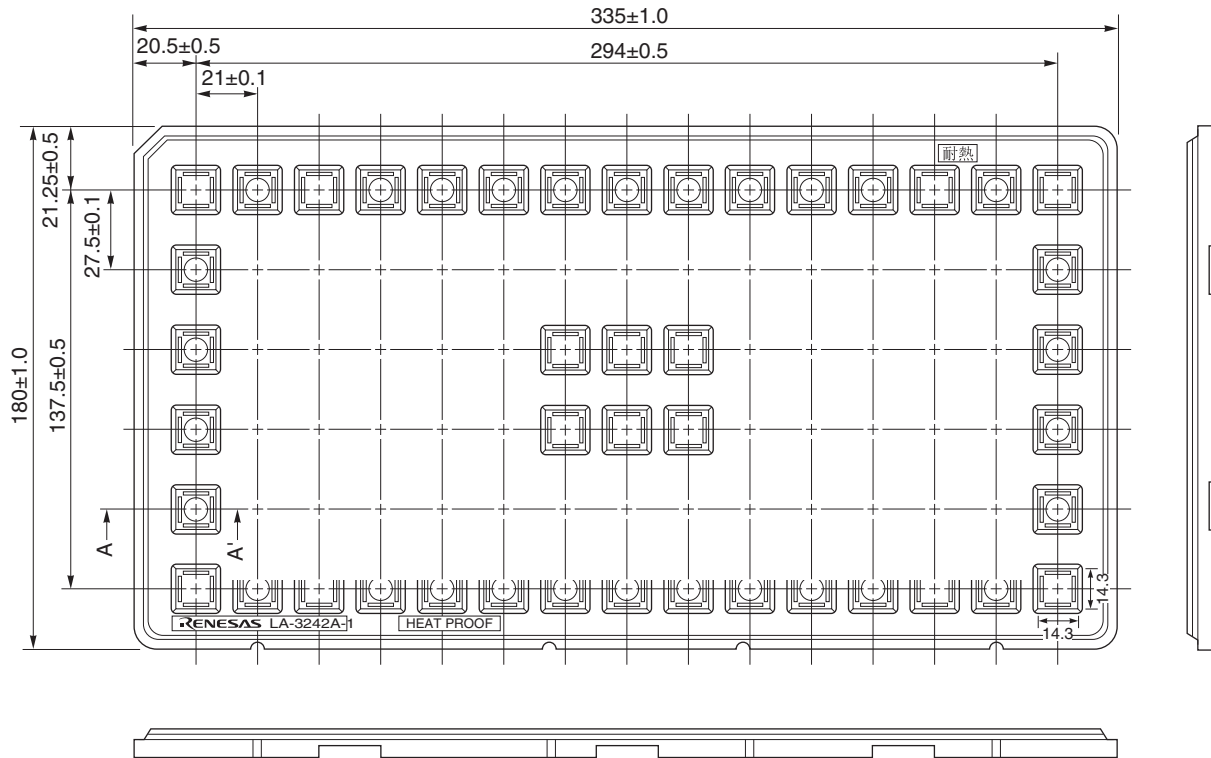
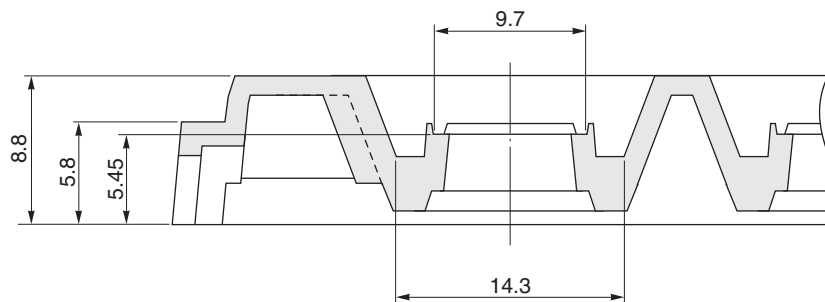


# TRAY CONTAINER

UNIT : mm



< SECTION A - A' >



Applied Package	Quantity (pcs)
44pin Plastic QFP (2.7mm thick)	MAX. 90
56pin Plastic QFP (2.7mm thick)	MAX. 90

Tray	LA-3242A-1
Material	Carbon PPE
Heat Proof Temp.	125°C
Surface resistance	less than $1 \times 10^6 \Omega / \square$