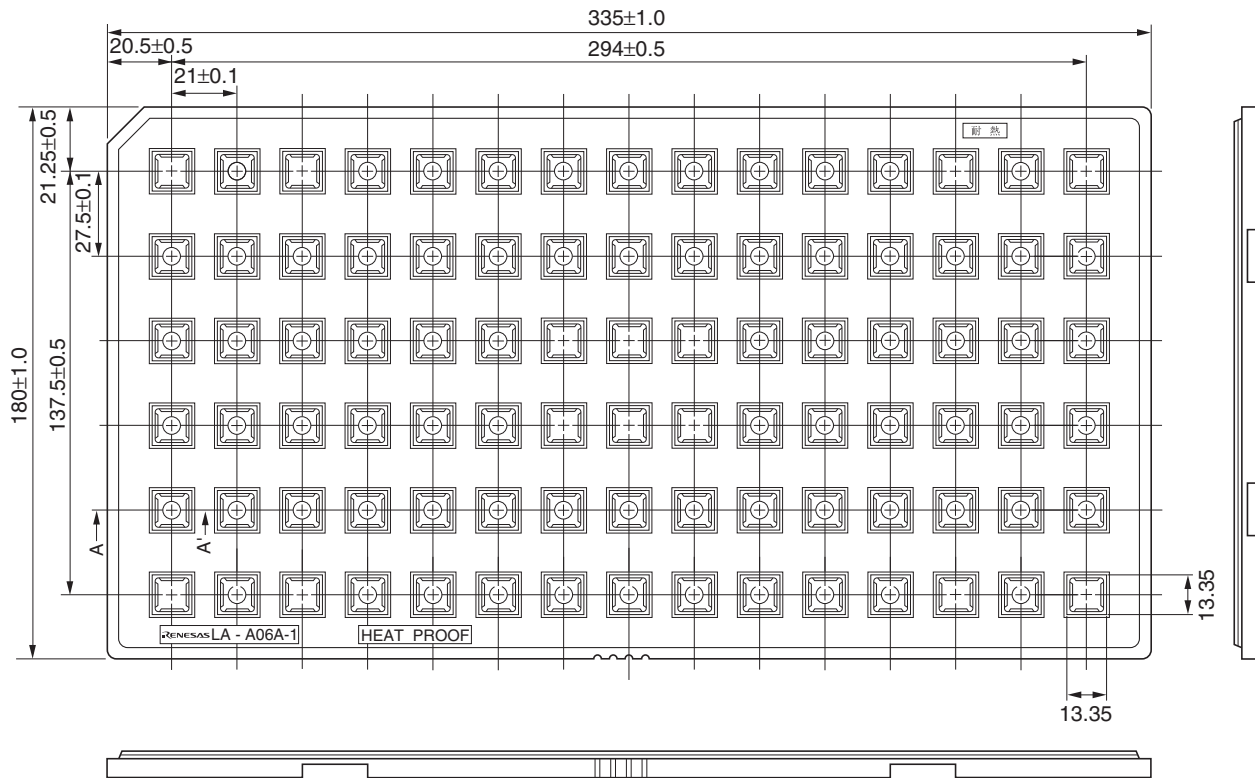
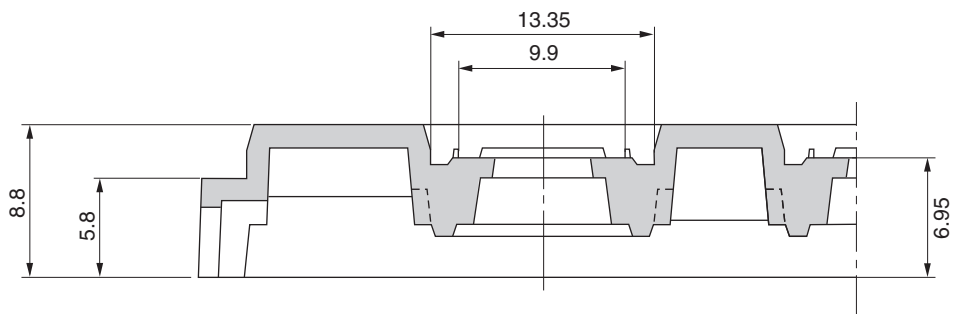


TRAY CONTAINER

UNIT : mm



< SECTION A-A >



Applied Package	Quantity (pcs)
56-pin • Plastic QFP (1.7mm thick)	MAX. 90

Tray	LA-A06A-1
Material	Carbon PPE
Heat Proof Temp.	135°C
Surface resistance	less than $1 \times 10^6 \Omega / \square$