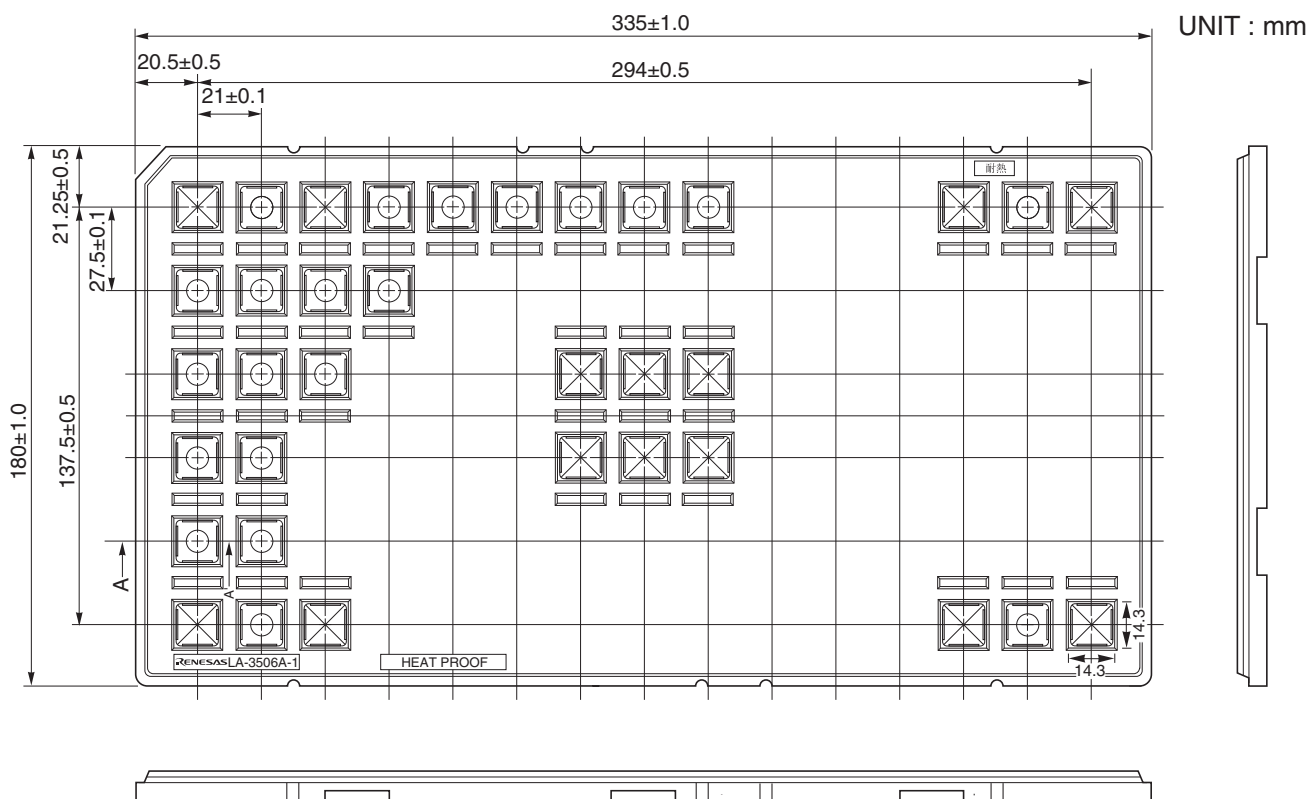
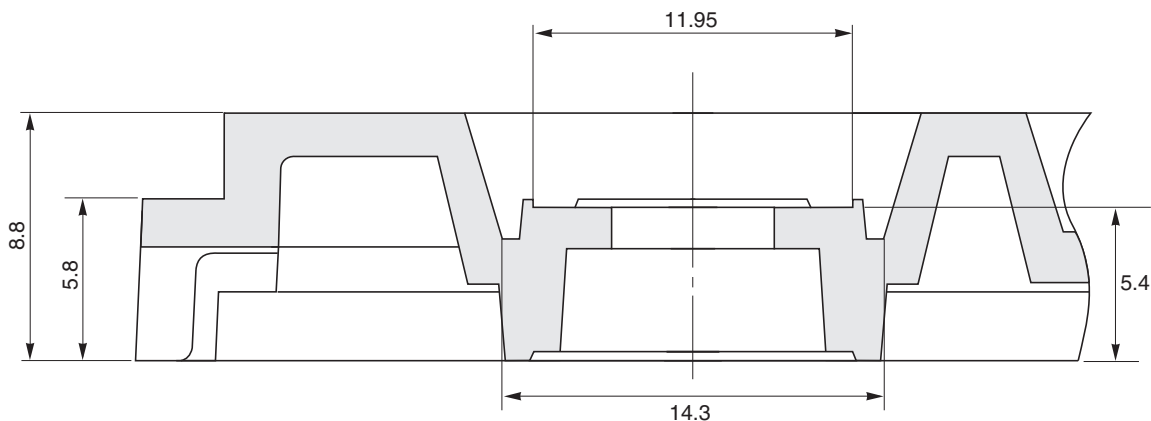


# TRAY CONTAINER



## < SECTION A - A' >



Applied Package	Quantity (pcs)
80-pin • Plastic TQFP (Fine pitch) (1.05mm thick)	MAX. 90
80-pin • Plastic TQFP (Fine pitch) (1.0mm thick)	
100-pin • Plastic TQFP (Fine pitch) (1.0mm thick)	

Tray	LA-3506A-1
Material	Carbon PPE
Heat Proof Temp.	135°C
Surface resistance	less than $1 \times 10^6 \Omega / \square$