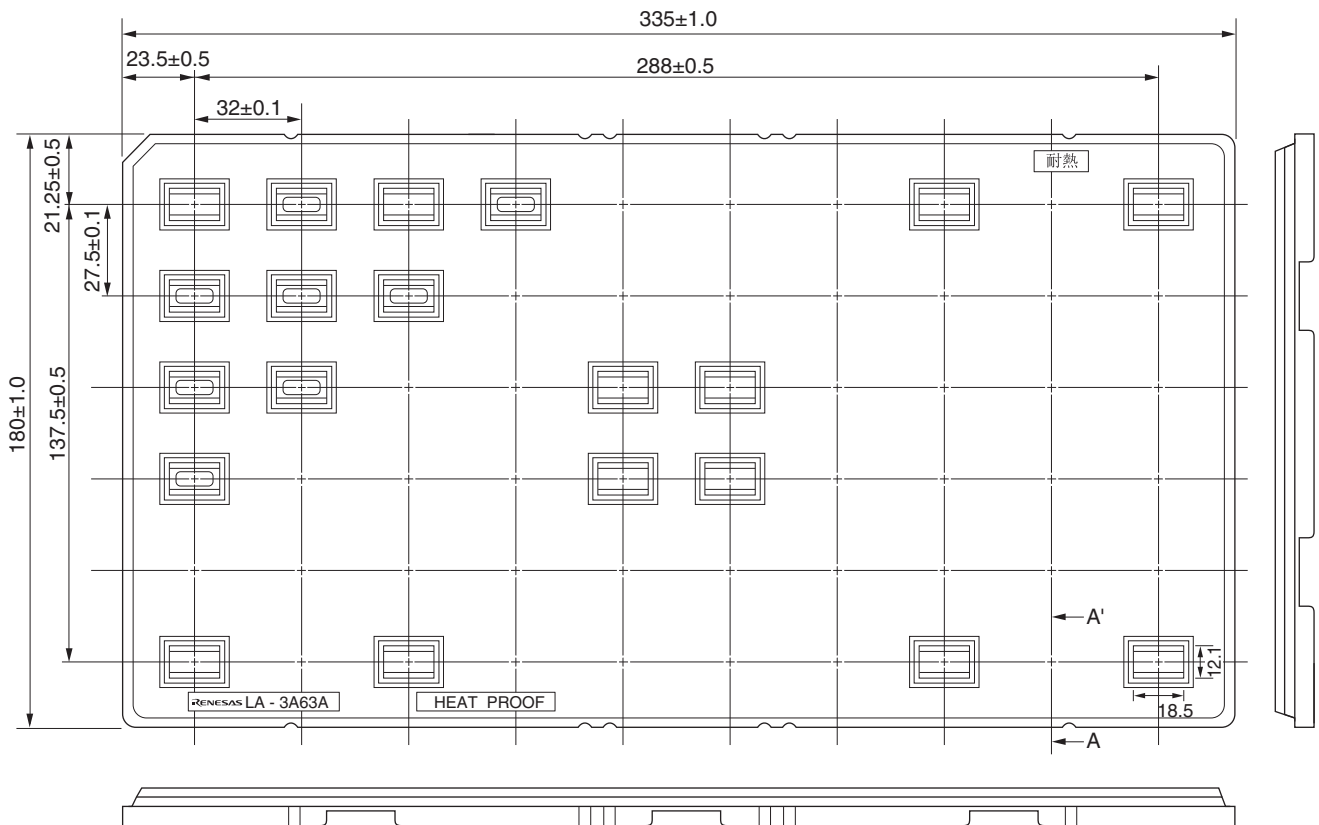
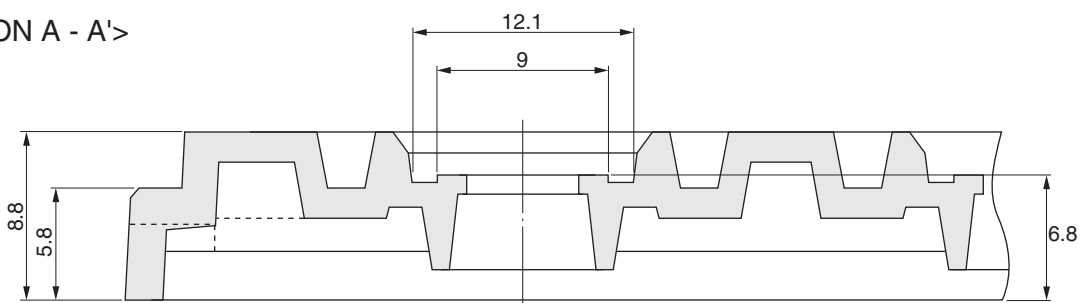


TRAY CONTAINER

UNIT : mm



<SECTION A - A'>



Applied Package	Quantity(pcs)	Tray	LA-3A63A
28-pin • Plastic TSOP (II)	MAX. 60	Material	Carbon PPE
44-pin • Plastic TSOP (II)	MAX. 60	Heat Proof Temp.	135°C
		Surface resistance	less than $1 \times 10^6 \Omega / \square$