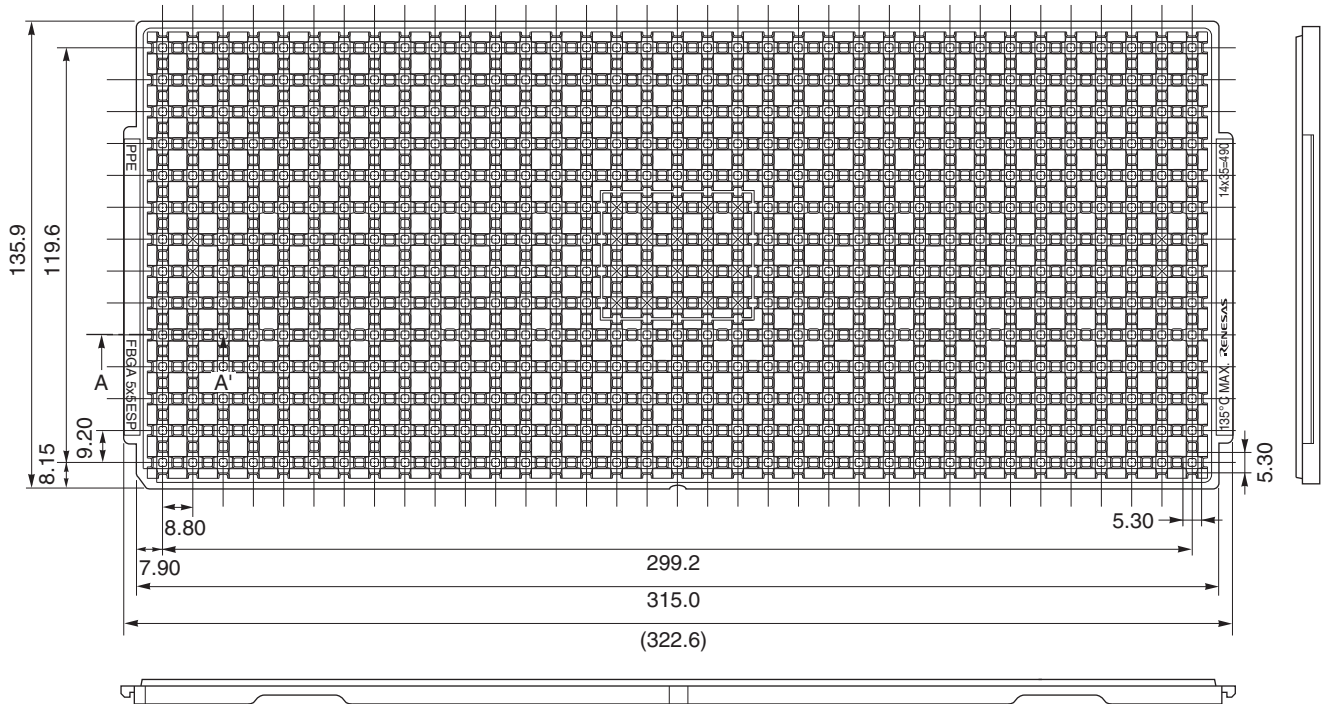
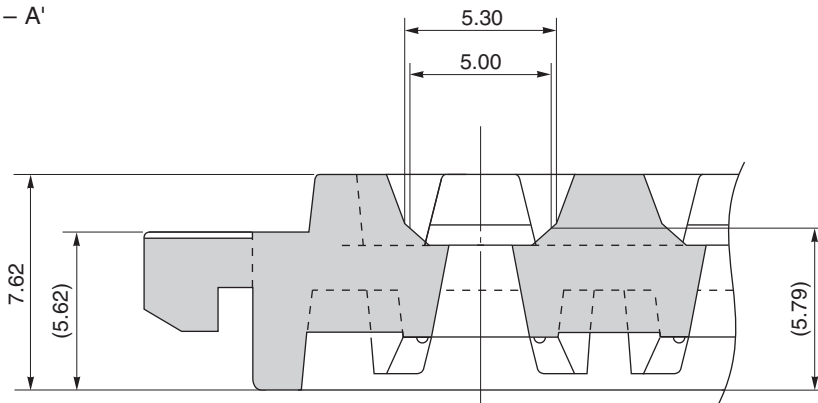


# TRAY CONTAINER

UNIT : mm



Section A – A'



Applied Package	Quantity (pcs)
64-pin Plastic FBGA (5x5)	490 MAX.

Tray	FBGA 5x5 ESP
Material	Carbon PPE
Heat Proof Temp.	135°C MAX.
Surface Resistance	Less than $1 \times 10^{12} \Omega / \square$

The tolerance of tray's dimensions are based on JEDEC STANDARD.