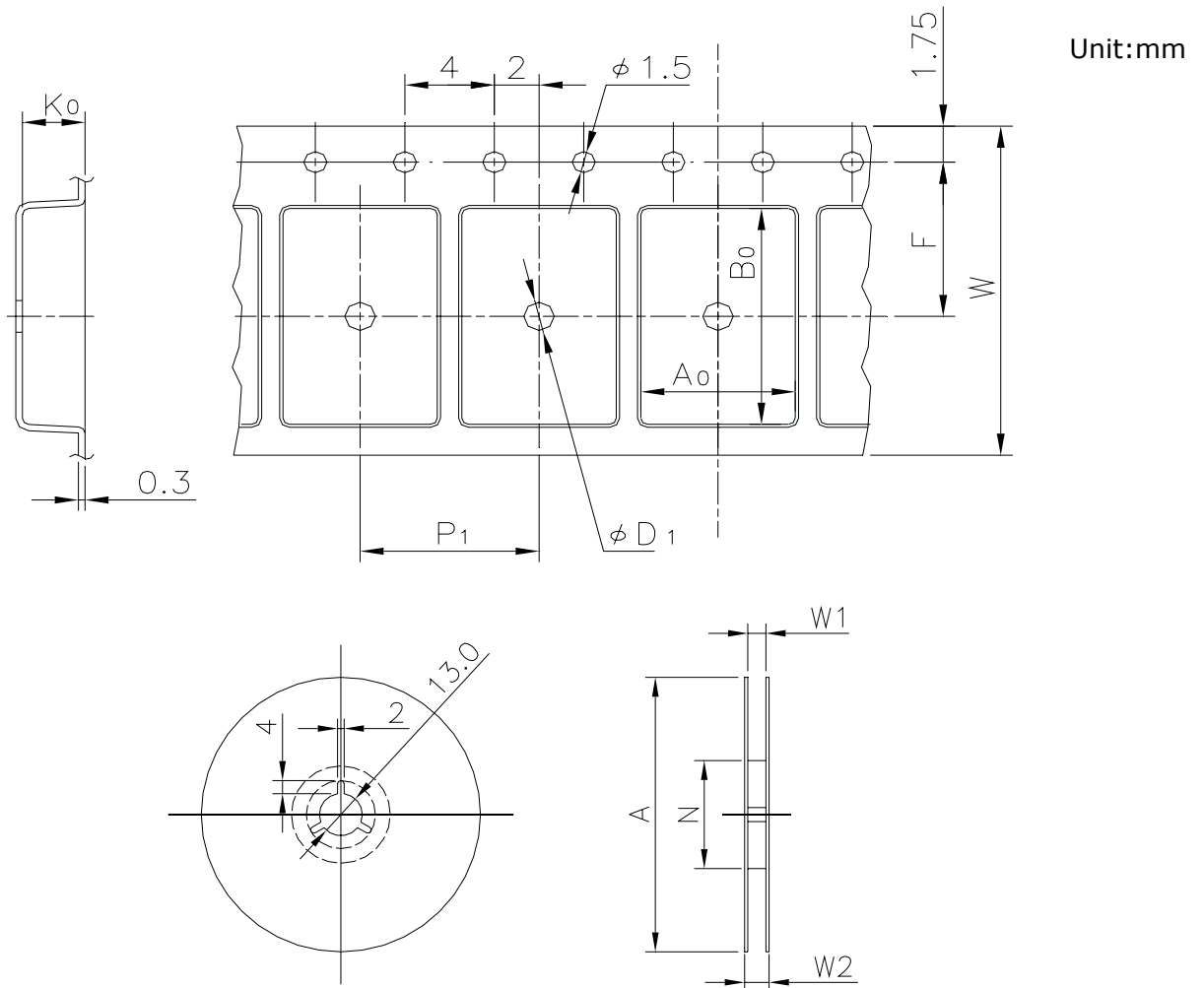


# EMBOSSED TAPE

Taping Code	RENESAS Code	Previous Code
TE0804-14P, 15P, EMBOSS	PTSP0005ZC-A	CMPAK-5 / CMPAK-5V
	PTSP0006JA-A	CMPAK-6 / CMPAK-6V



Tape Dimensions (mm)	W	8.0	
	$P_1$	4.0	
	$A_0$	2.25	
	$B_0$	2.45	
	$K_0$	1.1	
	F	3.5	
	$D_1$	1.05	
Reel Dimensions (mm)	A	178	330
	N	60	100
	W1	9	9.4
	W2	13	13.4
Maximum storage No. Transistor/Reel		3000	
Material		Carbon PS	
Surface resistance		Less than $1 \times 10^{11} \Omega/\square$	
Packing form		Non dry pack	