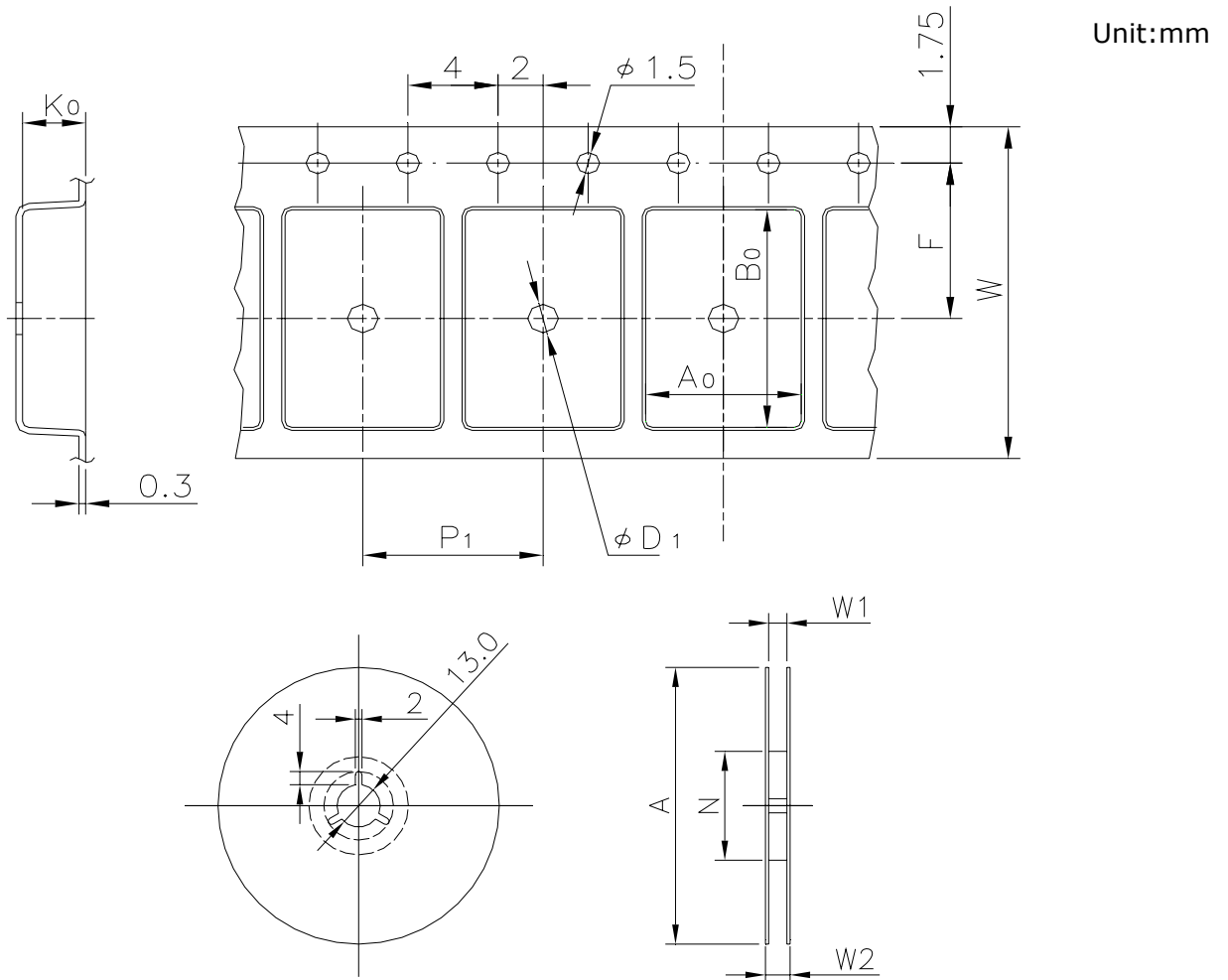


EMBOSSED TAPE

Taping Code	RENESAS Code	Previous Code
Z1575F, 76F	PRSS0004ZD-C	DPAK(S) / DPAK(S)V



Tape Dimensions (mm)	W	16.0
	P_1	8.0
	A_0	6.8
	B_0	10.6
	K_0	3.0
	F	7.5
	D_1	1.8
Reel Dimensions (mm)	A	330
	N	74-81
	W1	17-19
	W2	21-23
Maximum storage No. Transistor/Reel		3000
Material	Taping	Carbon PS
	Reel	Cardboard
Surface resistance	Taping	Less than $1 \times 10^{11} \Omega / \square$
	Reel	—
Packing form		Non dry pack