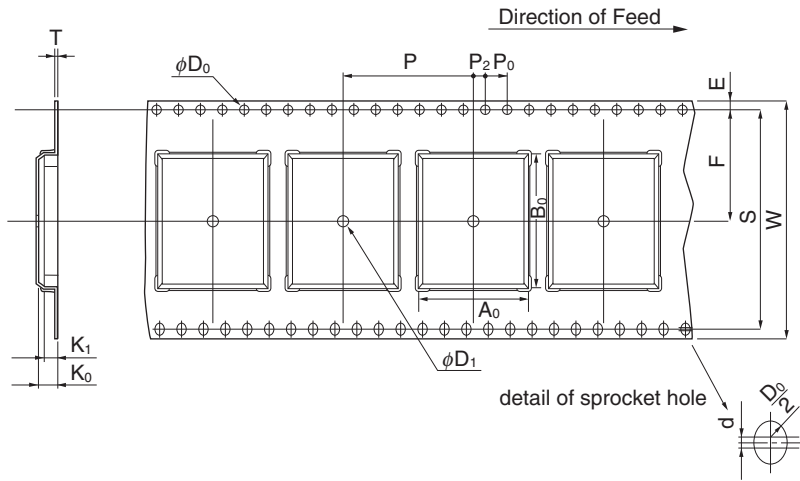


EMBOSS TAPE CONTAINER

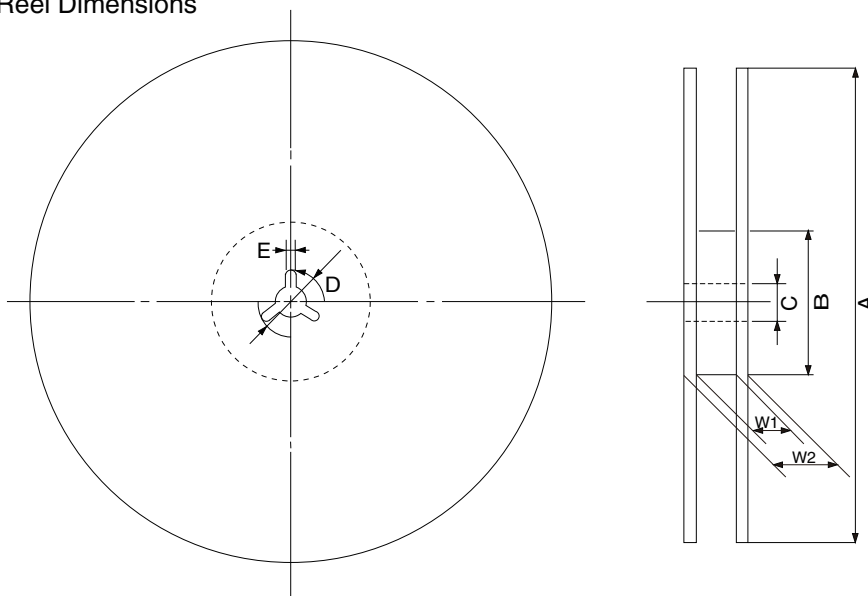
Tape Dimensions



(Unit : mm)

Symbol	Specification
A_0	19.8
B_0	24.8
K_0	3.2
K_1	2.45
W	44.0±0.3
F	20.2±0.1
E	1.75±0.1
P	24.0±0.1
P_2	2.0±0.1
P_0	4.0±0.1
D_0	1.5 ^{+0.1} ₀
T	0.3
D_1	2.0 MIN.
S	40.4±0.1
d	0.20±0.05

Reel Dimensions



(Unit:mm)

Symbol	Specification
A	$\phi 330 \pm 2.0$
B	$\phi 100$
C	$\phi 13.0 \pm 0.2$
D	$\phi 21.0 \pm 0.8$
E	2.0±0.5
W_1	45.5
W_2	49.5

Applied Package	Quantity (pcs)
655-pin Plastic BGA (24.5x19.5) (FLIP CHIP TYPE)	700 MAX.