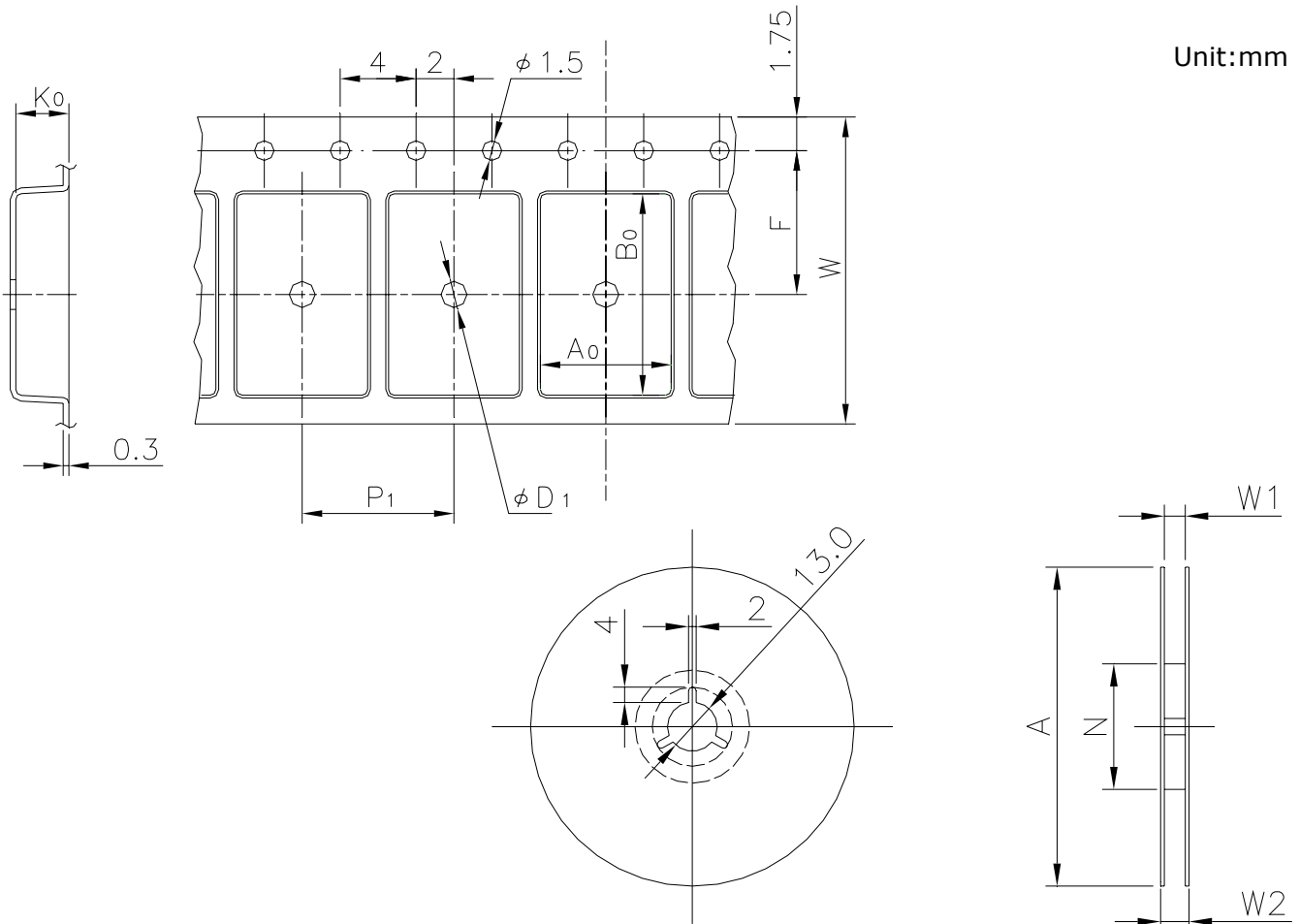


# EMBOSSED TAPE

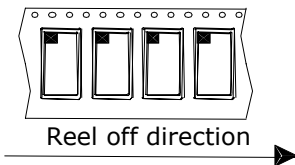
Taping Code	RENESAS Code	Previous Code
TE1208-43P	PWQN0020KB-A	—
	PWQN0024KB-A	—
	PWQN0024KD-A	—
	PWQN0028LB-A	—

Unit:mm

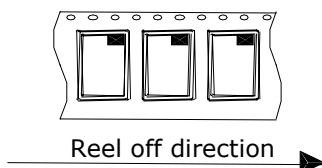


## Standard Orientation of Package

The pin 1 is located in the hatching portion.



The pin 1 may also be located in the following portion for reverse bent packages and some QFPs.



Tape Dimensions (mm)	W	12
	$P_1$	8
	$A_0$	4.5
	$B_0$	4.5
	$K_0$	1.45
	F	5.5
	$D_1$	1.0
Reel Dimensions (mm)	A	330
	N	100
	W1	13.4
	W2	17.4
Maximum storage No. IC/Reel		2500
Material		Carbon PS
Surface resistance		Less than $1 \times 10^{11} \Omega/\square$
Packing form		Non dry pack