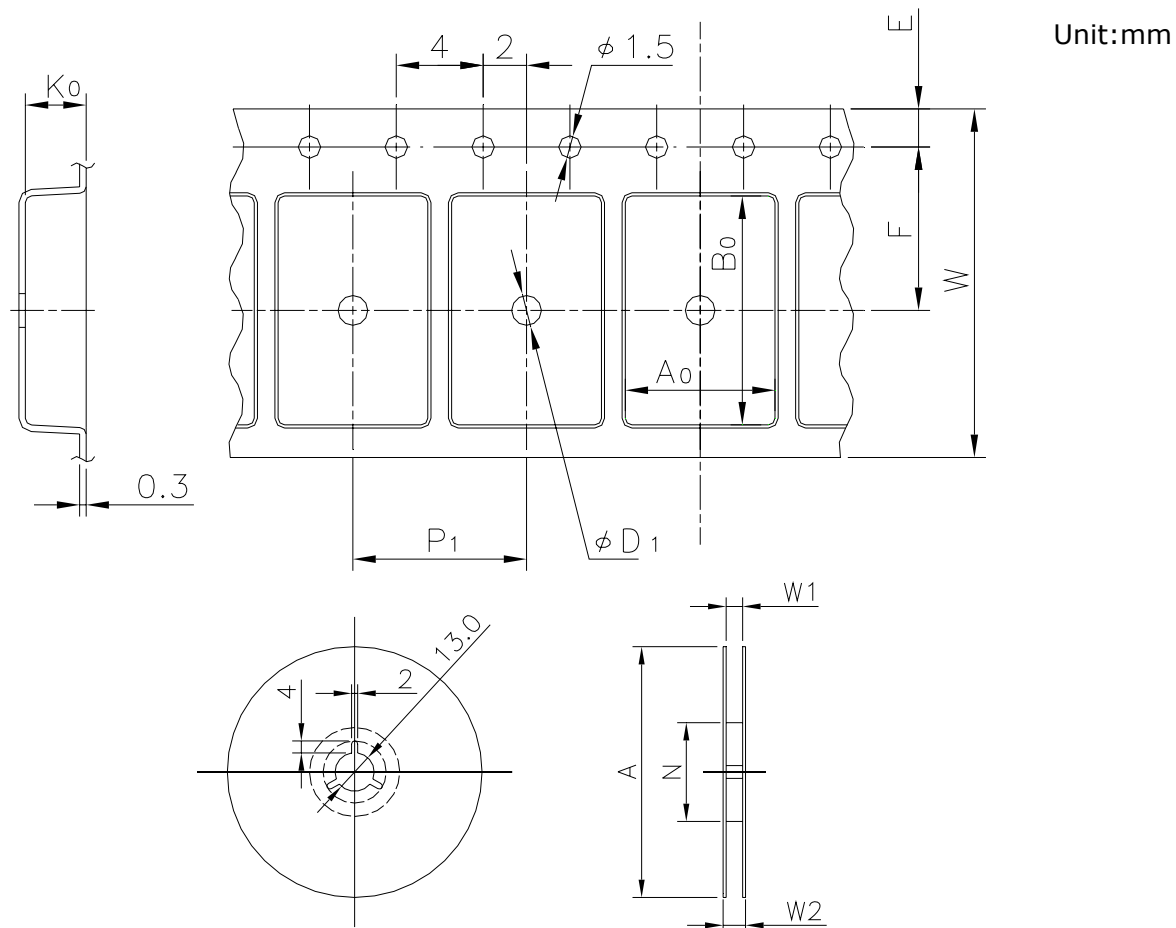


EMBOSSED TAPE

| Taping Code | RENESAS Code | Previous Code |
|-------------|--------------|---------------|
| TE1208-18P | PWSN0002ZA-A | — |
| | PWSN0006ZA-A | — |
| | PWSN0008JB-A | — |



| | | |
|-------------------------------------|-------|---|
| Tape Dimensions (mm) | W | 12.0 |
| | P_1 | 8.0 |
| | A_0 | 3.3 |
| | B_0 | 3.3 |
| | K_0 | 0.9 |
| | F | 5.5 |
| | E | 1.75 |
| Reel Dimensions (mm) | D_1 | 1.5 |
| | A | 178 |
| | N | 66 |
| | W2 | 15.5 |
| Maximum storage No. Transistor/Reel | | 2000 |
| Material | | Carbon PS |
| Surface resistance | | Less than $1 \times 10^{11} \Omega/\square$ |
| Packing form | | Non dry pack |