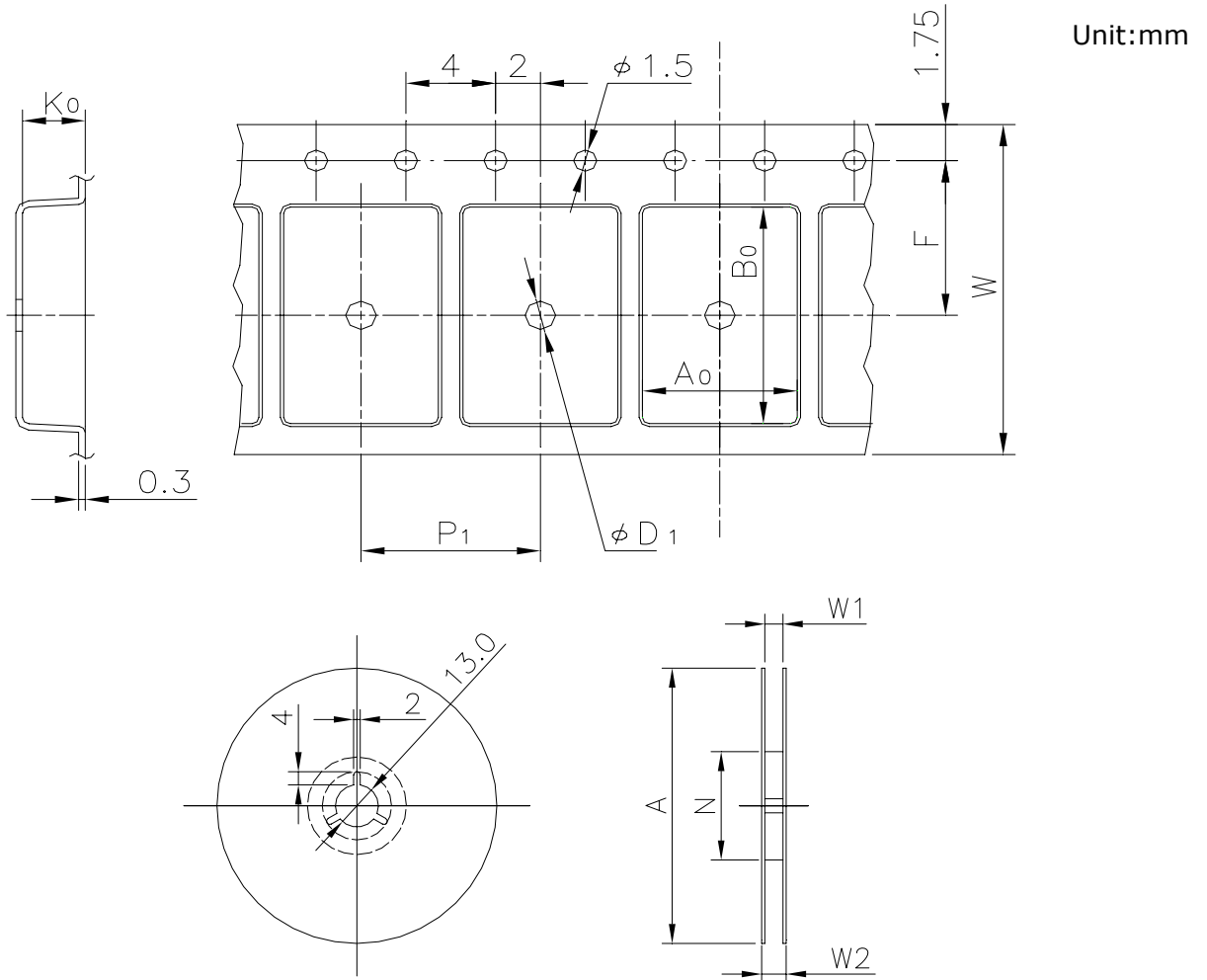


EMBOSSED TAPE

Taping Code	RENESAS Code	Previous Code
TE2412-31P, 32P	PRSS0004AE-B	LDBAK(S)-(1) / LDBAK(S)-(1)V



Tape Dimensions (mm)	W	24.0
	P_1	12.0
	A_0	10.8
	B_0	13.9
	K_0	4.8
	F	11.5
	D_1	2.0
Reel Dimensions (mm)	A	330
	N	100
	W1	25.5
	W2	29.5
Maximum storage No. Transistor/Reel		1000
Material		Carbon PS
Surface resistance		Less than $1 \times 10^{11} \Omega/\square$
Packing form		Non dry pack