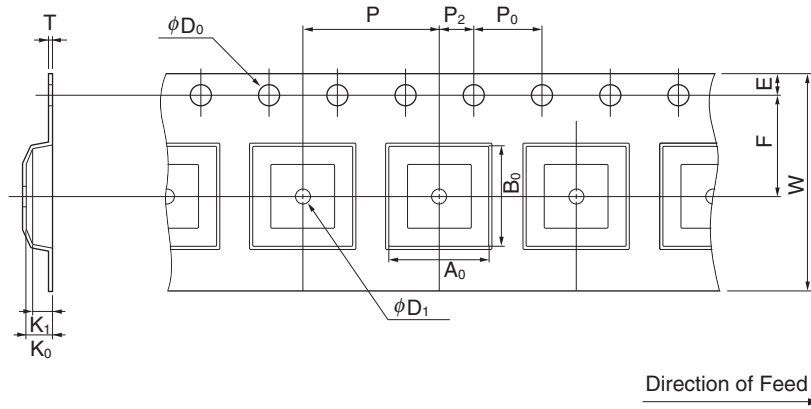


EMBOSSED TAPE CONTAINER

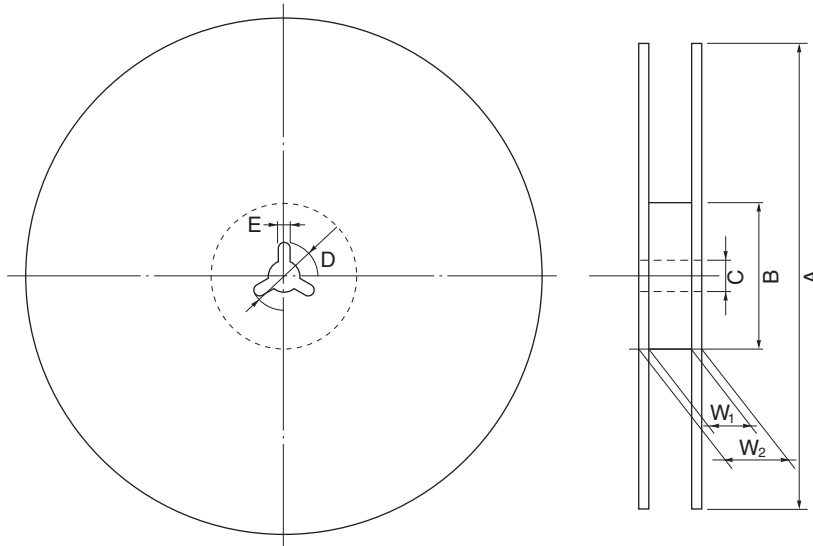
Tape Dimensions



(Unit: mm)

Symbol	Specification
A ₀	6.35
B ₀	6.35
K ₀	2.0
K ₁	1.3
W	12.0±0.3
F	5.5±0.1
E	1.75±0.1
P	8.0±0.1
P ₂	2.0±0.1
P ₀	4.0±0.1
D ₀	1.5 ^{+0.1} ₋₀
T	0.3
D ₁	1.0 MIN.

Reel Dimensions



(Unit: mm)

Symbol	Specification
A	φ 180 ⁺⁰ ₋₃
B	φ 60
C	φ 13.0±0.2
D	φ 21.0±0.8
E	2.0±0.5
W ₁	13.0
W ₂	17.0±1.4

Applied Package	Quantity (pcs)
64-pin Plastic FLGA / FBGA (6x6)	1,000 MAX.
65-pin Plastic FBGA (6x6)	
84-pin Plastic FBGA (6x6)	
85-pin Plastic FBGA (6x6)	
96-pin Plastic FBGA (6x6)	
97-pin Plastic FBGA (6x6)	
100-pin Plastic FBGA (6x6)	
121-pin Plastic FBGA (6x6)	
141-pin Plastic FBGA (6x6)	