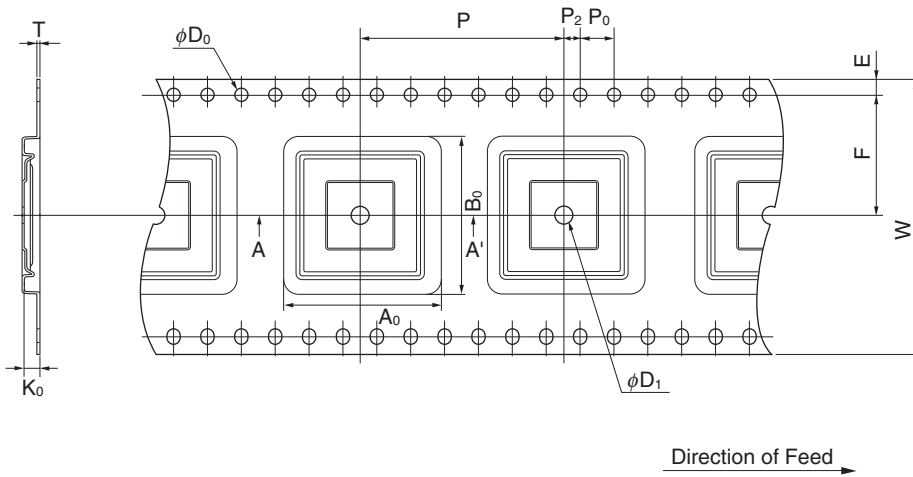


# EMBOSS TAPE CONTAINER

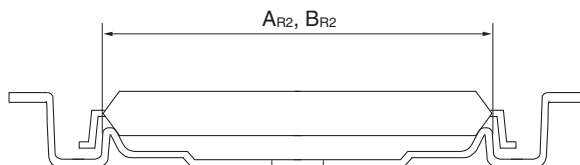
## Tape Dimensions

(Unit : mm)



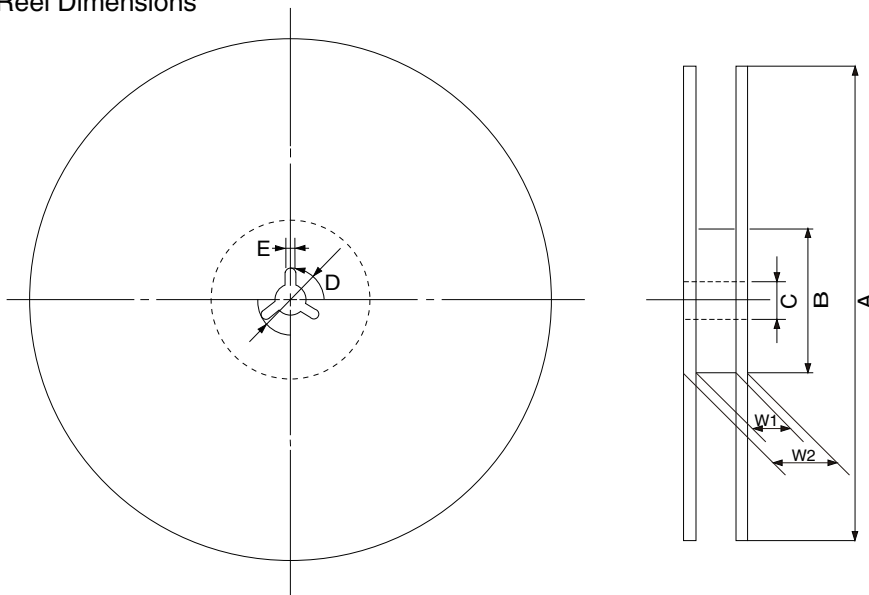
Symbol	Specification
A <sub>0</sub>	18.5
B <sub>0</sub>	18.5
K <sub>0</sub>	2.1
W	32.0±0.3
F	14.2±0.1
E	1.75±0.1
P	24.0±0.1
P <sub>2</sub>	2.0±0.1
P <sub>0</sub>	4.0±0.1
D <sub>0</sub>	1.55 <sup>+0.1</sup> <sub>-0</sub>
T	0.3
D <sub>1</sub>	2.0 MIN.
A <sub>R2</sub>	15.0
B <sub>R2</sub>	15.0

## <SECTION A - A'>



## Reel Dimensions

(Unit: mm)



Symbol	Specification
A	φ330±2.0
B	φ100
C	φ13.0±0.2
D	φ21.0±0.8
E	2.0±0.5
W <sub>1</sub>	33.5
W <sub>2</sub>	37.5

Applied Package	Quantity (pcs)
80-pin Plastic QFP (1.4mm thick)	MAX. 1000