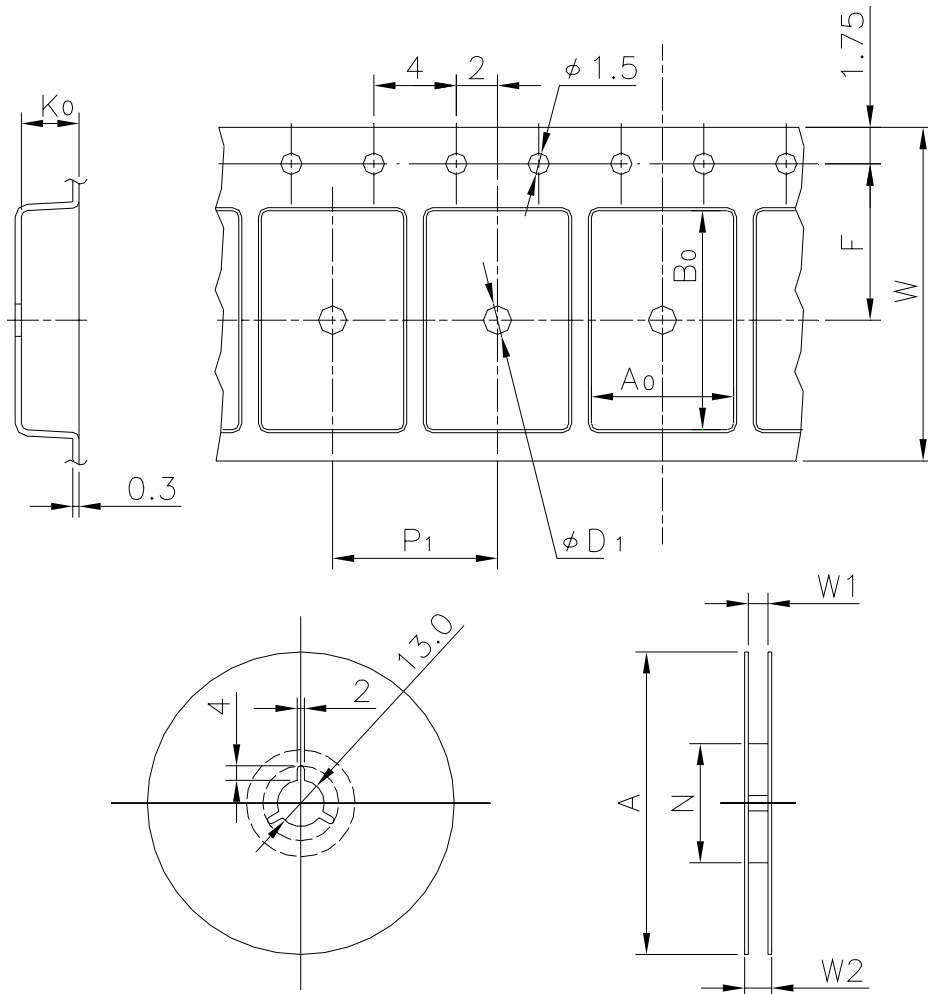


# EMBOSSED TAPE

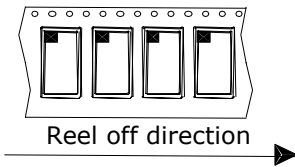
Taping Code	RENESAS Code	Previous Code
MTE1612H-24P2E-A	PLSP0024JA-A	24P2E-A
	PLSP0024JB-A	24P2F-A



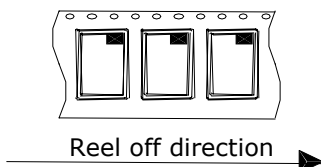
Unit:mm

## Standard Orientation of Package

The pin 1 is located in the hatching portion.



The pin 1 may also be located in the following portion for reverse bent packages and some QFPs.



Tape Dimensions (mm)	W	16
	P <sub>1</sub>	12
	A <sub>0</sub>	8
	B <sub>0</sub>	8.3
	K <sub>0</sub>	1.45
	F	7.5
	D <sub>1</sub>	1.55
Reel Dimensions (mm)	A	330
	N	100
	W1	17.4
	W2	21.4
Maximum storage No. IC/Reel		2500, 1000
Material		Carbon PS
Surface resistance		Less than 1x10 <sup>11</sup> Ω/□
Packing form		Dry pack