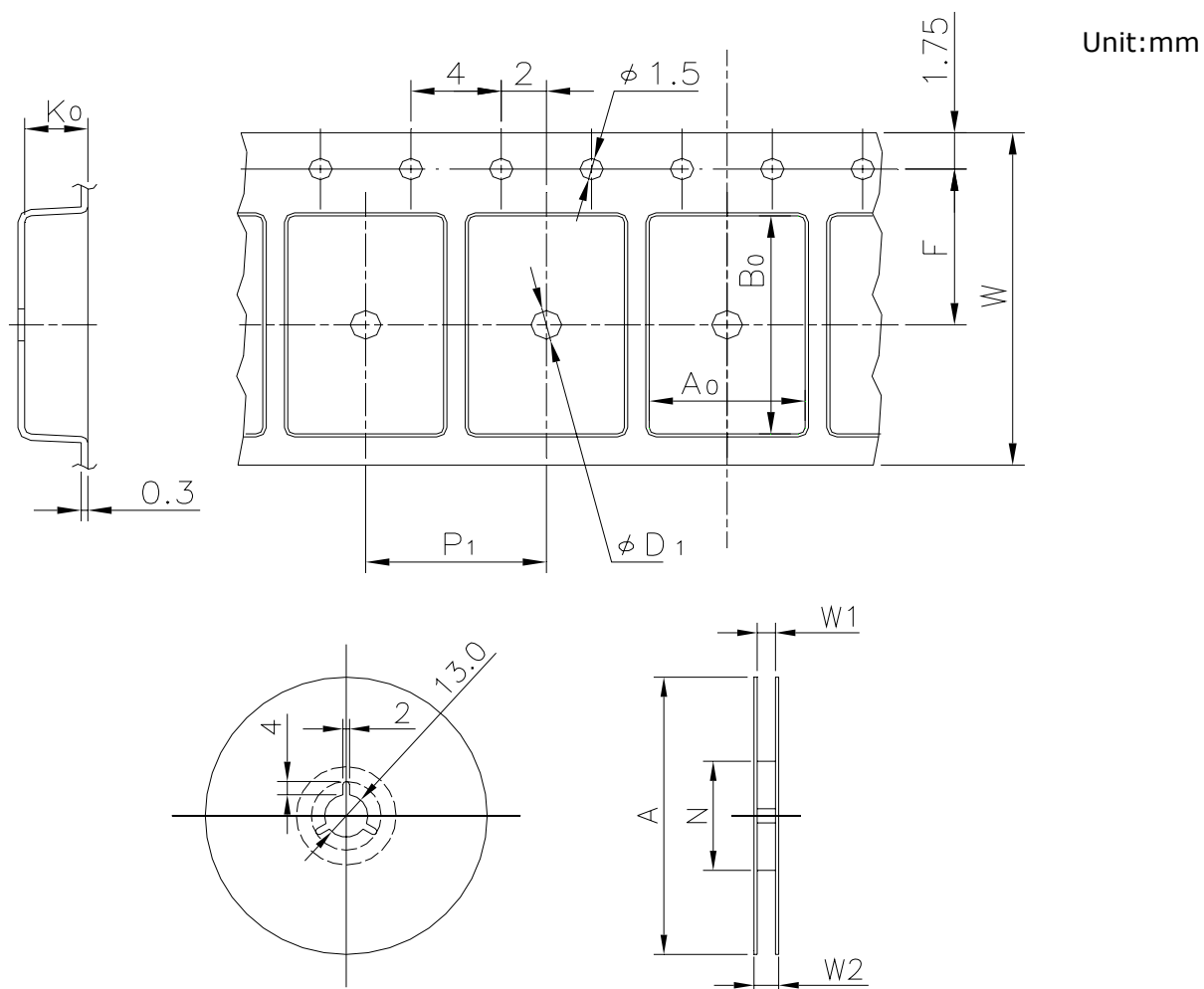


EMBOSSED TAPE

Taping Code	RENESAS Code	Previous Code
TE0804-5P, 6P, EMBOSS	PLSP0003ZB-A	MPAK(T) / MPAK(T)V



Tape Dimensions (mm)	W	8.0	
	P_1	4.0	
	A_0	3.1	
	B_0	3.2	
	K_0	1.25	
	F	3.5	
	D_1	1.1	
Reel Dimensions (mm)	A	178	330
	N	60	80
	W1	9	9.5
	W2	12	13.5
Maximum storage No. Transistor/Reel		3000	12000
Material		Carbon PS	
Surface resistance		Less than $1 \times 10^{11} \Omega/\square$	
Packing form		Non dry pack	