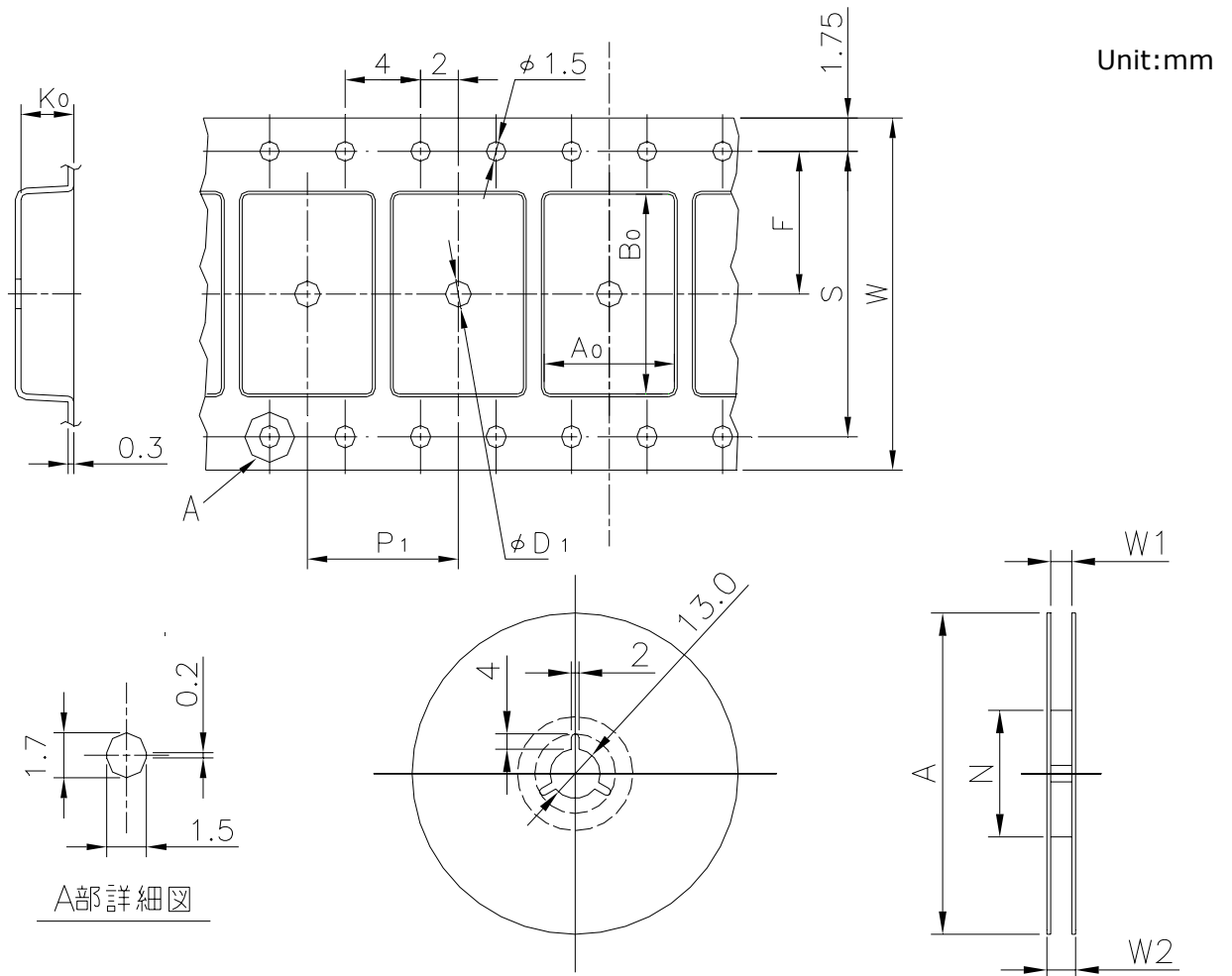


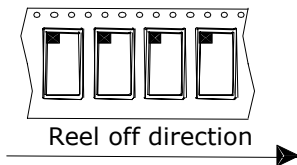
# EMBOSSED TAPE

Taping Code	RENESAS Code	Previous Code
TE4432-5P	PRQJ0068DB-A	CP-68 / CP-68V

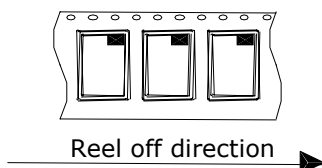


## Standard Orientation of Package

The pin 1 is located in the hatching portion.



The pin 1 may also be located in the following portion for reverse bent packages and some QFPs.



Tape Dimensions (mm)	W	44
	$P_1$	32
	$A_0$	25.7
	$B_0$	25.65
	$K_0$	4.9
	F	20.2
	S	40.4
	$D_1$	2.05
Reel Dimensions (mm)	A	330
	N	100
	$W_1$	45.4
	$W_2$	49.4
Maximum storage No. IC/Reel		250
Material		Carbon PS
Surface resistance		Less than $1 \times 10^{11} \Omega / \square$
Packing form		Dry pack