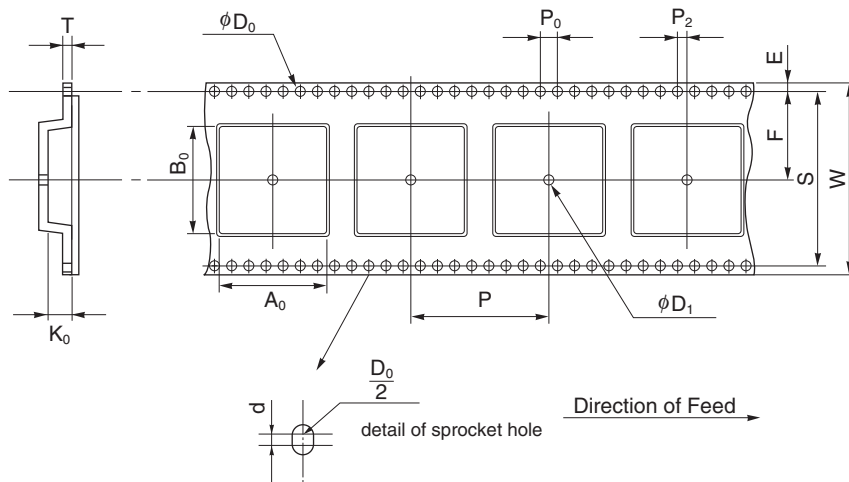


EMBOSS TAPE CONTAINER

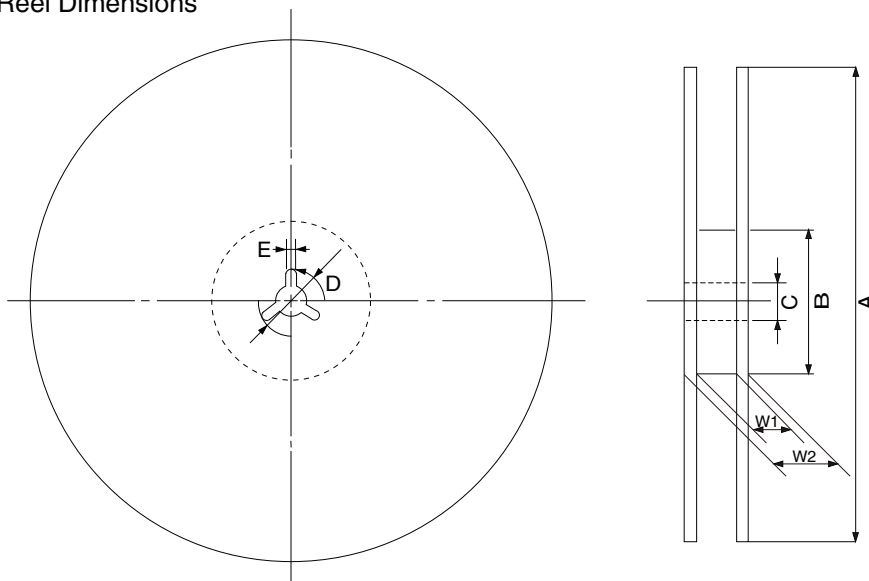
Tape Dimensions



(UNIT : mm)

Symbol	Specification
A ₀	25.6
B ₀	25.6
K ₀	5.0
W	44±0.3
F	20.25±0.1
E	1.75±0.1
P	32±0.1
P ₂	2±0.1
P ₀	4±0.1
D ₀	1.5 ^{+0.1} ₋₀
T	0.3
D ₁	2.0 MIN.
S	40.4±0.1
d	0.2±0.05

Reel Dimensions



(Unit: mm)

Symbol	Specification
A	φ 330±2.0
B	φ 100
C	φ 13.0±0.2
D	φ 21.0±0.8
E	2.0±0.5
W ₁	45.5
W ₂	49.5

Applied Package	Quantity (pcs)
68-pin QFJ (PLCC) (24.13mm(950))	MAX. 300