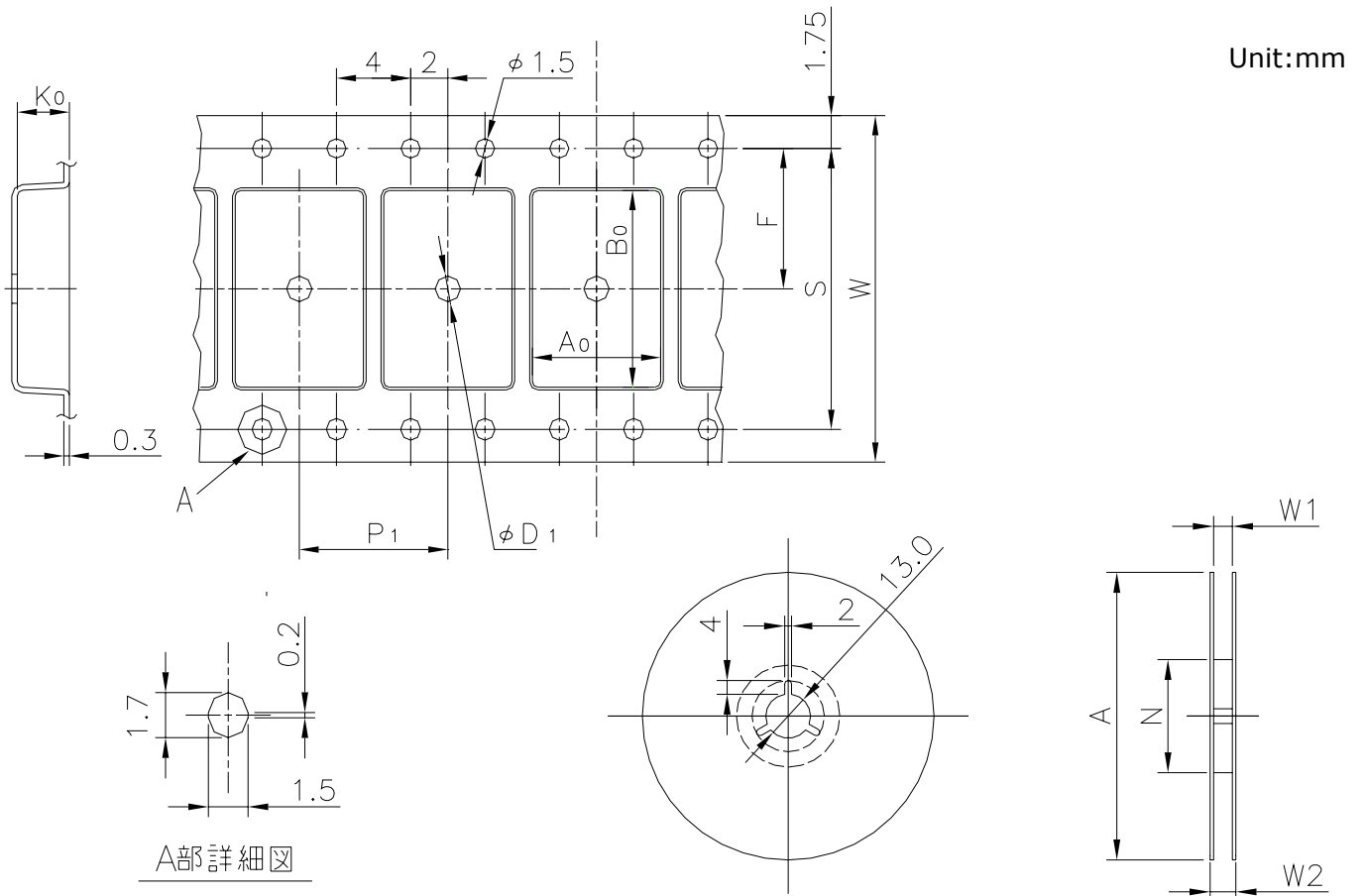


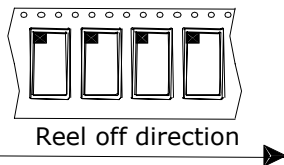
EMBOSSED TAPE

Taping Code	RENESAS Code	Previous Code
MTE4424H-80P6N-A	PRQP0080GB-A	80P6N-A
	PRQP0100JB-A	100P6S-A
	PRQP0100JB-B	100P6S-C

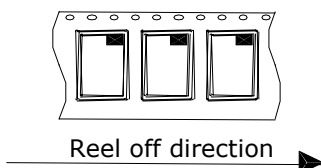


Standard Orientation of Package

The pin 1 is located in the hatching portion.



The pin 1 may also be located in the following portion for reverse bent packages and some QFPs.



Tape Dimensions (mm)	W	44
	P_1	24
	A_0	17.7
	B_0	23.7
	K_0	2.85
	F	20.2
	S	40.4
	D_1	2.05
Reel Dimensions (mm)	A	330
	N	150
	W1	45.4
	W2	49.4
Maximum storage No. IC/Reel		500
Material		Carbon PS
Surface resistance		Less than $1 \times 10^{11} \Omega / \square$
Packing form		Dry pack