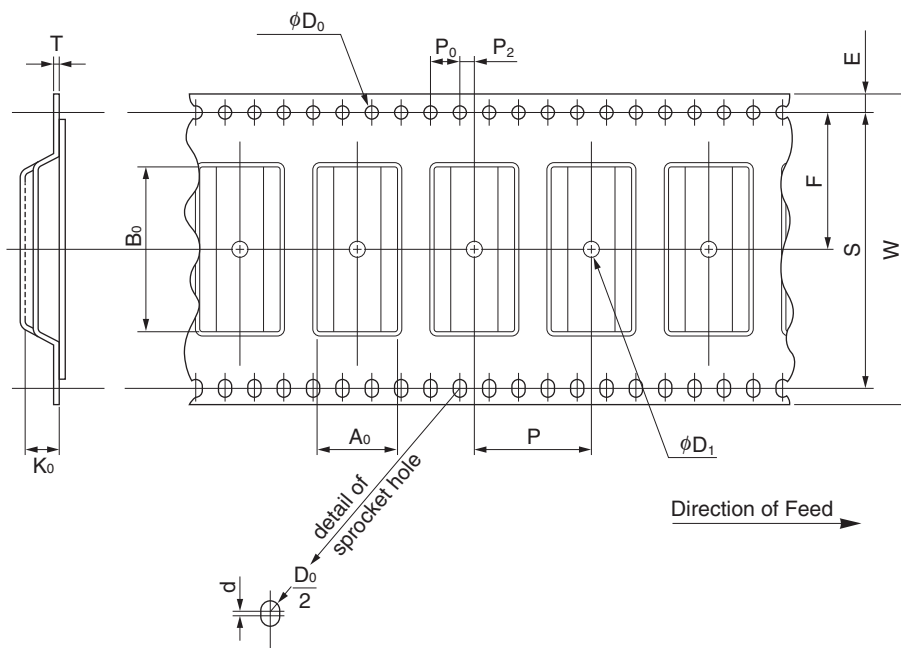


EMBOSS TAPE CONTAINER

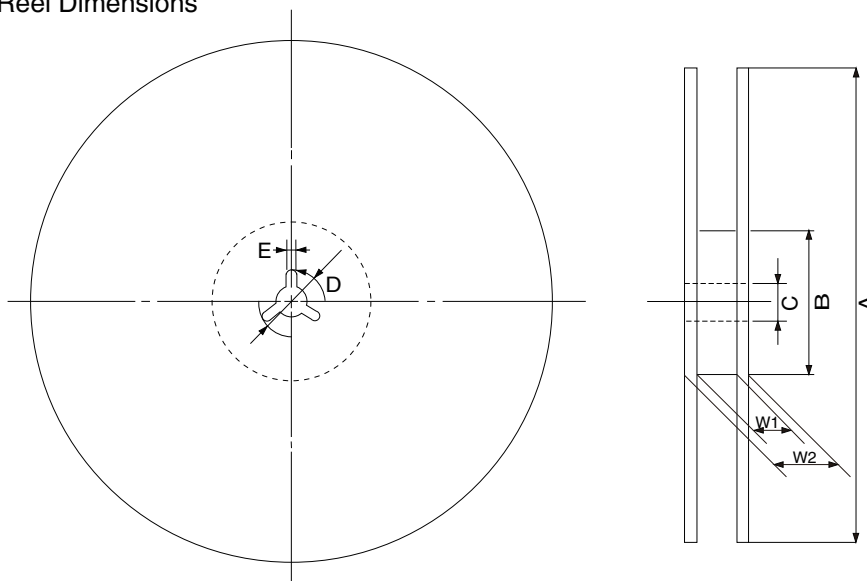
Tape Dimensions



(Unit :mm)

| Symbol | Specification |
|--------|----------------|
| A_0 | 8.85 |
| B_0 | 19.05 |
| K_0 | 4.1 |
| W | 32 ± 0.3 |
| F | 14.2 ± 0.1 |
| E | 1.75 ± 0.1 |
| P | 16 ± 0.1 |
| P_2 | 2 ± 0.1 |
| P_0 | 4 ± 0.1 |
| D_0 | $1.5^{+0.1}_0$ |
| T | 0.3 |
| D_1 | 2.0 MIN. |
| S | 28.4 ± 0.1 |
| d | 0.2 ± 0.05 |

Reel Dimensions



(Unit: mm)

| Symbol | Specification |
|--------|---------------------|
| A | $\phi 330 \pm 2.0$ |
| B | $\phi 100$ |
| C | $\phi 13.0 \pm 0.2$ |
| D | $\phi 21.0 \pm 0.8$ |
| E | 2.0 ± 0.5 |
| W_1 | 33.5 |
| W_2 | 37.5 |

| Applied Package | Quantity (pcs) |
|------------------------------------|----------------|
| 28-pin · Plastic SOJ (7.62mm(300)) | MAX. 500 |