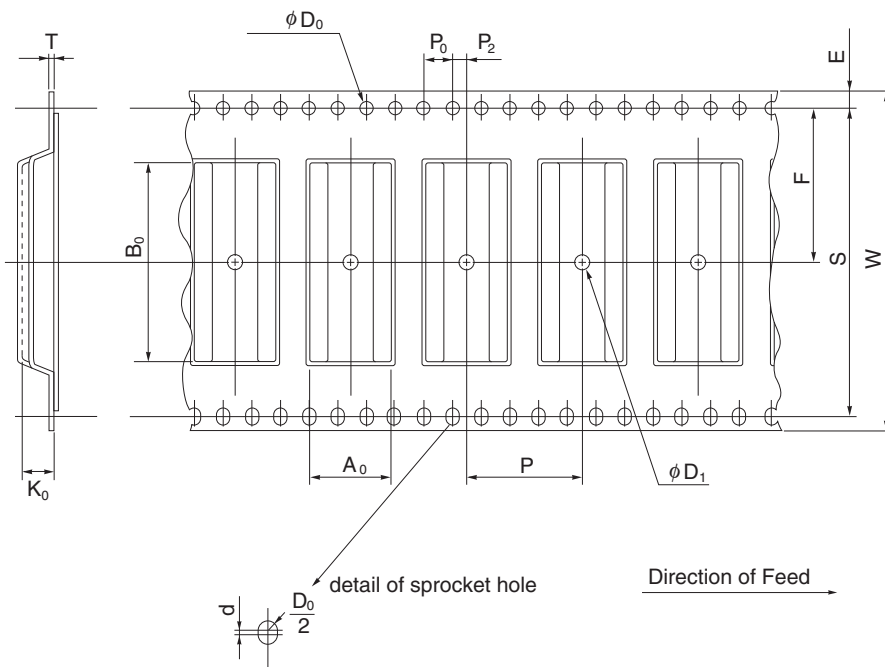


# EMBOSS TAPE CONTAINER

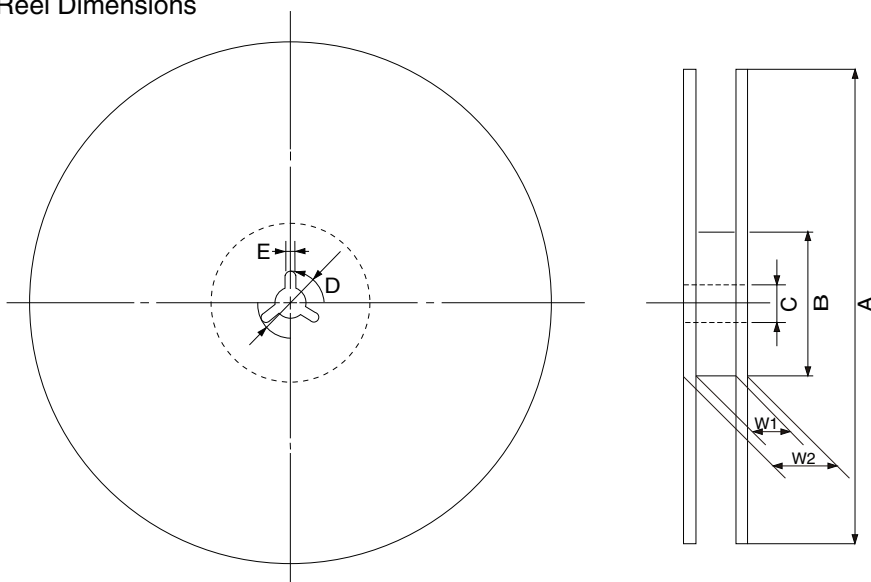
## Tape Dimensions



(unit : mm)

Symbol	Specification
$A_0$	11.65
$B_0$	27.8
$K_0$	4.1
$W$	$44.0 \pm 0.3$
$F$	$20.2 \pm 0.1$
$E$	$1.75 \pm 0.1$
$P$	$16.0 \pm 0.1$
$P_2$	$2.0 \pm 0.1$
$P_0$	$4.0 \pm 0.1$
$D_0$	$1.5^{+0.1}_0$
$T$	0.3
$D_1$	2.0 MIN.
$S$	$40.4 \pm 0.1$
$d$	$0.2 \pm 0.05$

## Reel Dimensions



(Unit: mm)

Symbol	Specification
$A$	$\phi 330 \pm 2.0$
$B$	$\phi 100$
$C$	$\phi 13.0 \pm 0.2$
$D$	$\phi 21.0 \pm 0.8$
$E$	$2.0 \pm 0.5$
$W_1$	45.5
$W_2$	49.5

Applied Package	Quantity (pcs)
42-pin Plastic SOJ (10.16 mm (400))	MAX. 1000