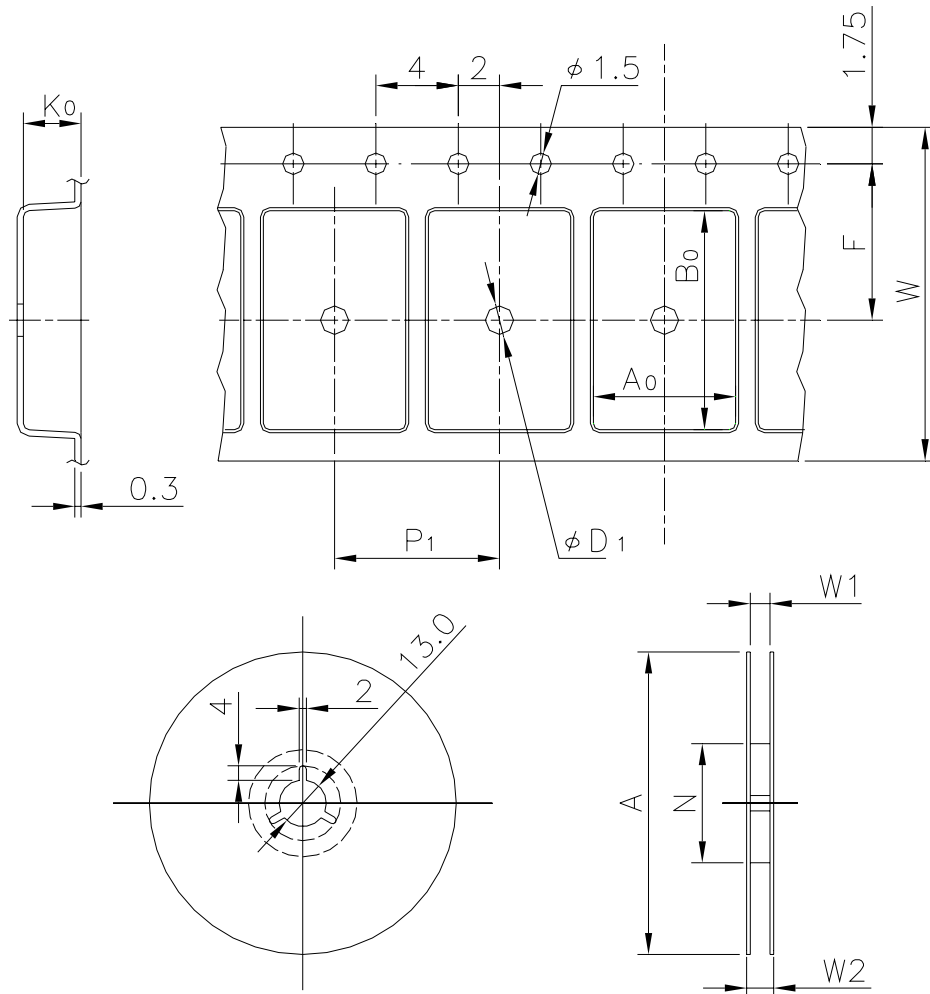


# EMBOSSED TAPE

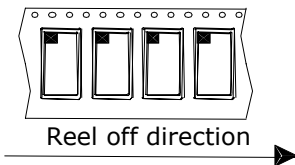
| Taping Code | RENESAS Code | Previous Code |
|-------------|--------------|---------------|
| TE1608-11P  | PRSP0016DG-A | FP-16DNV      |



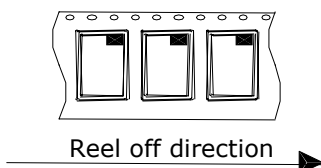
Unit:mm

## Standard Orientation of Package

The pin 1 is located in the hatching portion.



The pin 1 may also be located in the following portion for reverse bent packages and some QFPs.



|                             |       |   |
|-----------------------------|-------|---|
| Tape Dimensions (mm)        | W     | 16  |
|                             | $P_1$ | 8   |
|                             | $A_0$ | 6.5   |
|                             | $B_0$ | 10.3  |
|                             | $K_0$ | 2.1   |
|                             | F     | 7.5   |
|                             | $D_1$ | 1.5   |
| Reel Dimensions (mm)        | A     | 330   |
|                             | N     | 100   |
|                             | W1    | 17.4  |
|                             | W2    | 21.4  |
| Maximum storage No. IC/Reel |       | 2500  |
| Material                    |       | Carbon PS                                     |
| Surface resistance          |       | Less than $1 \times 10^{11} \Omega / \square$ |
| Packing form                |       | Non dry pack                                  |