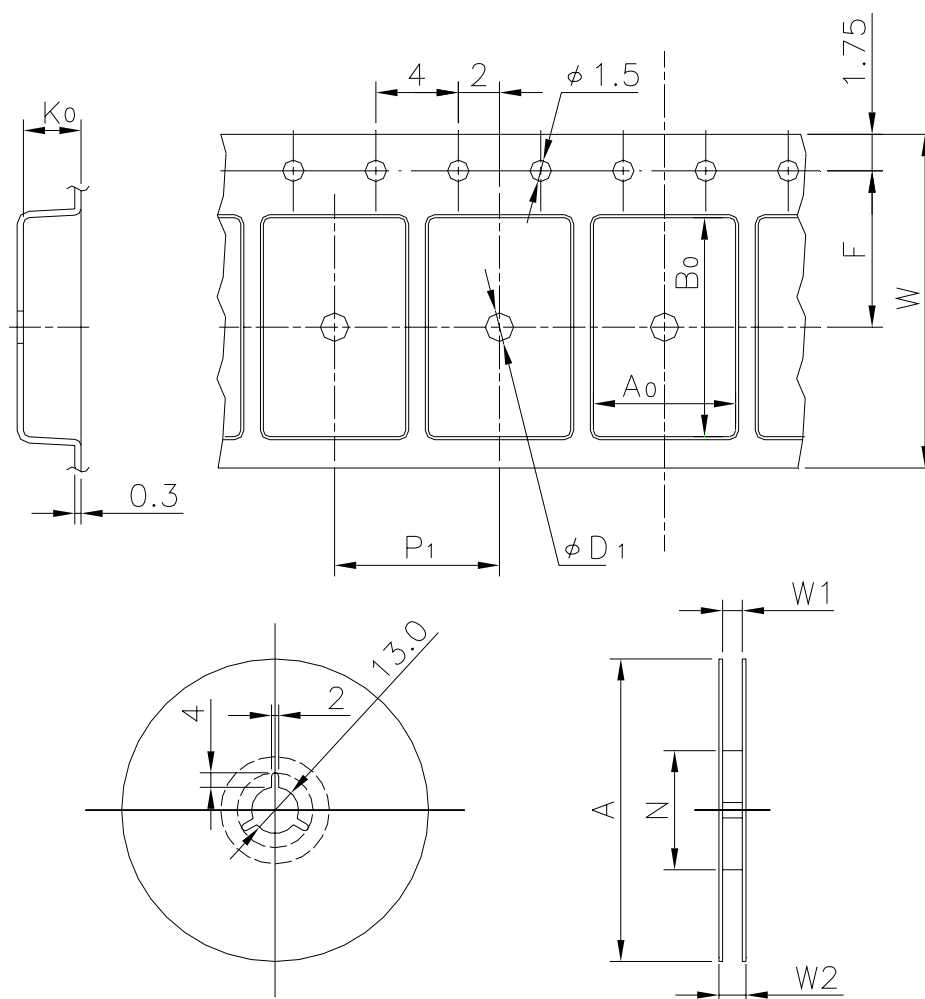


EMBOSED TAPE

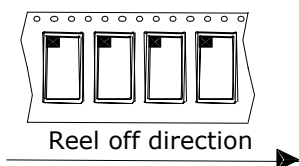
Taping Code	RENESAS Code	Previous Code
TE2416-24P	PRSP0028DC-A	FP-28D



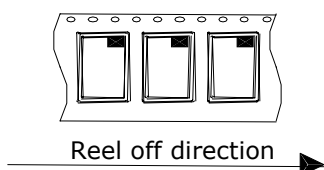
Unit:mm

Standard Orientation of Package

The pin 1 is located in the hatching portion.



The pin 1 may also be located in the following portion for reverse bent packages and some QFPs.



Tape Dimensions (mm)	W	24
	P_1	16
	A_0	12.6
	B_0	18.8
	K_0	2.6
	F	11.5
	D_1	2.0
Reel Dimensions (mm)	A	330
	N	100
	W1	25.4
	W2	29.4
Maximum storage No. IC/Reel		1000
Material		Carbon PS
Surface resistance		Less than $1 \times 10^{11} \Omega / \square$
Packing form		Dry pack