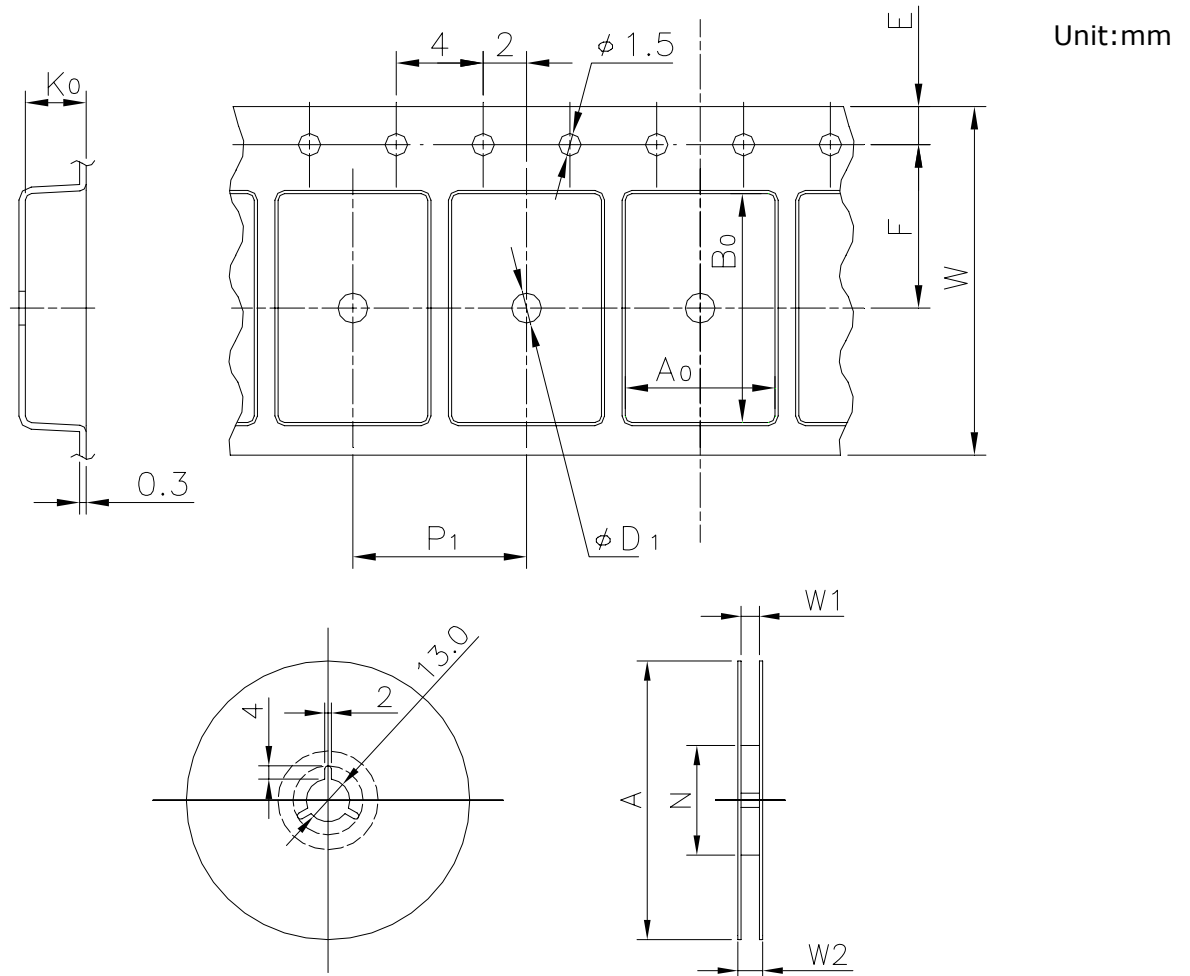


# EMBOSSED TAPE

Taping Code	RENESAS Code	Previous Code
TE1208-3P, 4P, 6P, 8P, 24P, 25P, 26P	PRSP0008DD-D	FP-8DAV



Tape Dimensions (mm)	W	12.0
	$P_1$	8.0
	$A_0$	6.6
	$B_0$	5.0
	$K_0$	2.3
	F	5.5
	E	1.75
Reel Dimensions (mm)	$D_1$	1.5
	A	330
	N	100
	W2	17.4
Maximum storage No. Transistor/Reel		2500
Material		Carbon PS
Surface resistance		Less than $1 \times 10^{11} \Omega/\square$
Packing form		Non dry pack