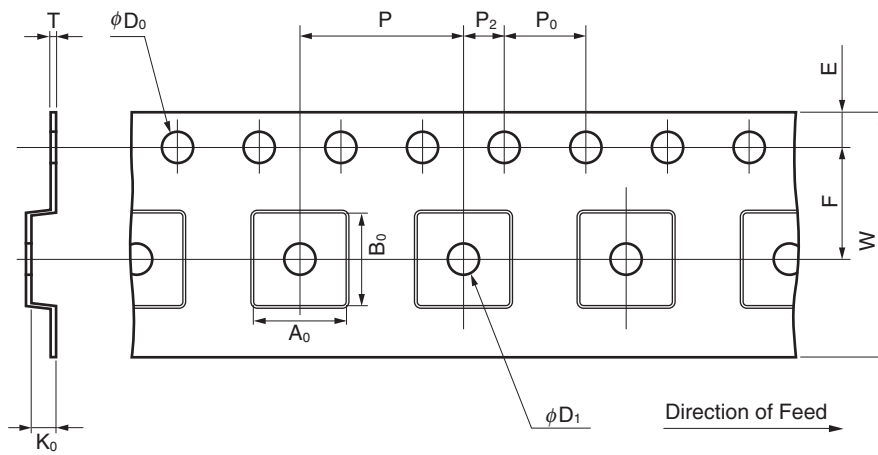


EMBOSS TAPE CONTAINER

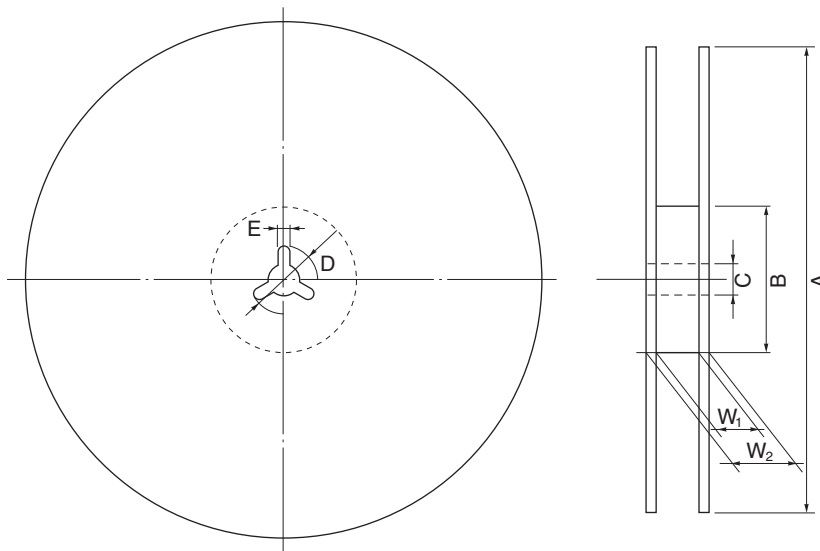
Tape Dimensions



(Unit : mm)

| Symbol | Specification |
|--------|-----------------|
| A_0 | 4.8 |
| B_0 | 4.8 |
| K_0 | 1.2 |
| W | 12.0 ± 0.3 |
| F | 5.5 ± 0.05 |
| E | 1.75 ± 0.1 |
| P | 8.0 ± 0.1 |
| P_2 | 2.0 ± 0.05 |
| P_0 | 4.0 ± 0.1 |
| D_0 | 1.55 ± 0.05 |
| T | 0.3 |
| D_1 | 1.5 MIN. |

Reel Dimensions



(Unit: mm)

| Symbol | Specification |
|--------|----------------------|
| A | $\phi 180^{+0}_{-3}$ |
| B | $\phi 60$ |
| C | $\phi 13.0 \pm 0.2$ |
| D | $\phi 21.0 \pm 0.8$ |
| E | 2.0 ± 0.5 |
| W_1 | 13.0 |
| W_2 | 17.0 ± 1.4 |

| Applied Package | Quantity (pcs) |
|------------------------------|----------------|
| 48-pin TAPE FBGA (4.38x4.38) | 1,000 MAX. |