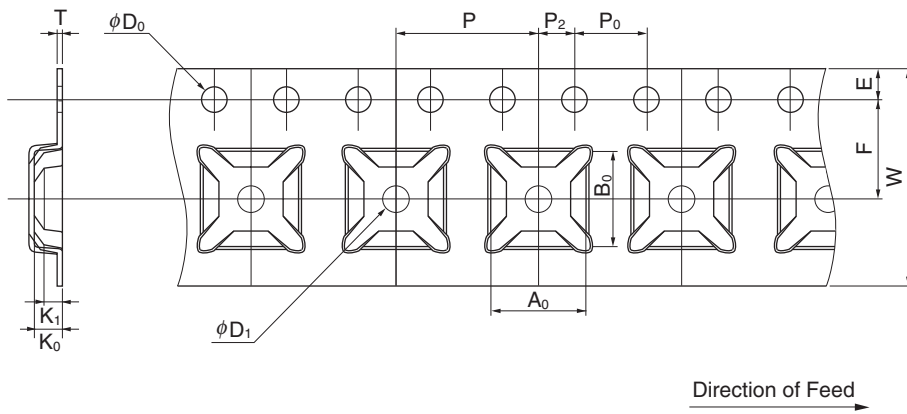


# EMBOSS TAPE CONTAINER

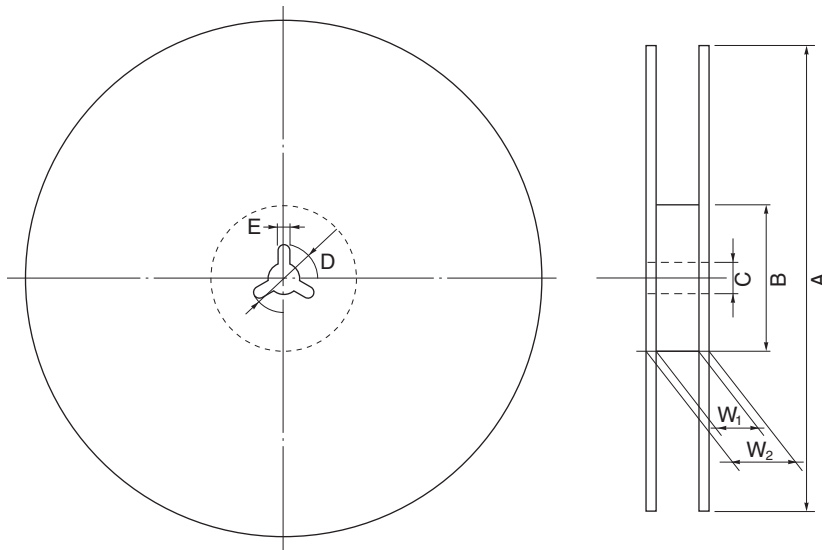
## Tape Dimensions



(Unit: mm)

Symbol	Specification
A <sub>0</sub>	5.25
B <sub>0</sub>	5.25
K <sub>0</sub>	1.55
K <sub>1</sub>	1.05
W	12.0±0.3
F	5.5±0.1
E	1.75±0.1
P	8.0±0.1
P <sub>2</sub>	2.0±0.1
P <sub>0</sub>	4.0±0.1
D <sub>0</sub>	1.5 <sup>+0.1</sup> <sub>0</sub>
T	0.3
D <sub>1</sub>	1.5 MIN.

## Reel Dimensions



(Unit: mm)

Symbol	Specification
A	φ180 <sup>+0</sup> <sub>-3</sub>
B	φ60
C	φ13.0±0.2
D	φ21.0±0.8
E	2.0±0.5
W <sub>1</sub>	13.0
W <sub>2</sub>	17±1.4

Applied Package	Quantity (pcs)
61-pin TAPE FBGA (5x5)	1,000 MAX.