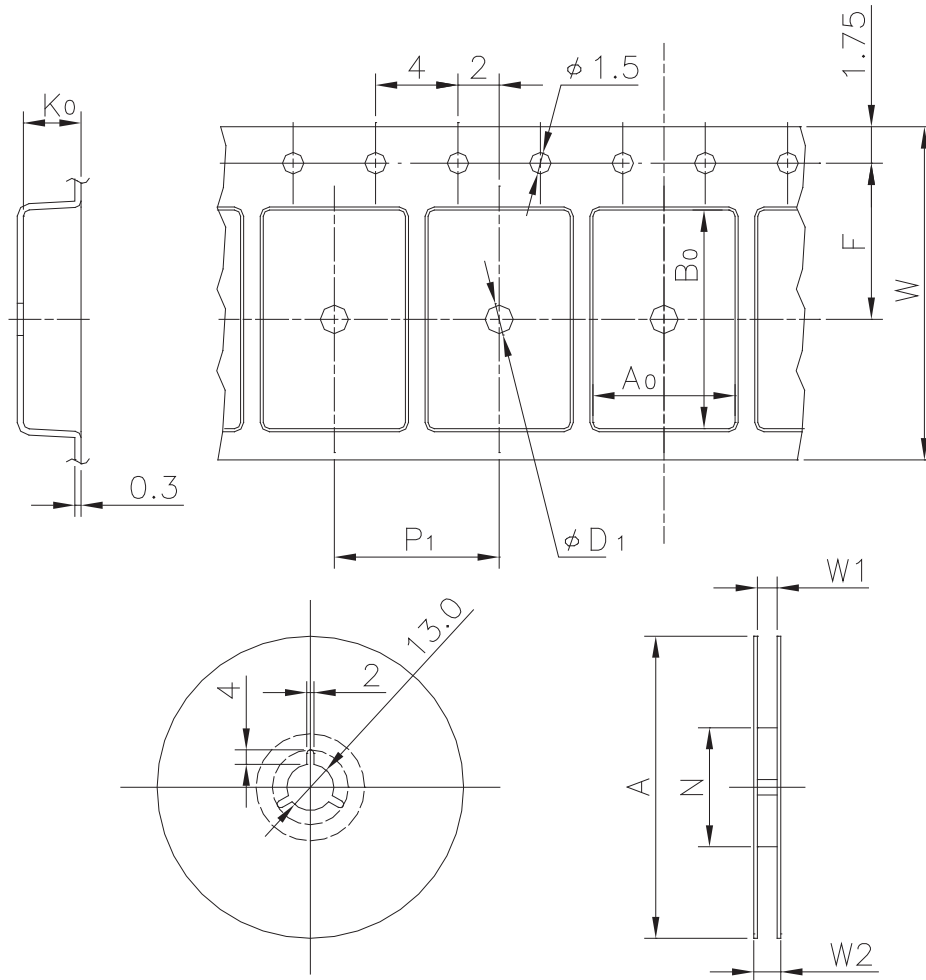


EMBOSSED TAPE

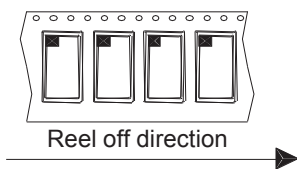
Taping code	RENESAS Code	Previous Code
MTE1612H-48F7Q	PTBG0048HB-A	48FHH
	PTBG0048HJ-A	48FHR



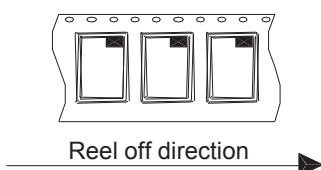
Unit:mm

Standard Orientation of Package

The pin 1 is located in the hatching portion.



The pin 1 may also be located in the following portion for reverse bent packages and some QFPs.



Tape Dimensions (mm)	W	16
	P_1	12
	A_0	7.75
	B_0	8.75
	K_0	1
	F	7.5
	D_1	1.55
Reel Dimensions (mm)	A	254
	N	100
	W_1	17.5
	W_2	21.5
Maximum storage No. IC/Reel		1000
Material		Carbon PS
Surface resistance		Less than $1 \times 10^{11} \Omega / \square$
Packing form		Dry pack