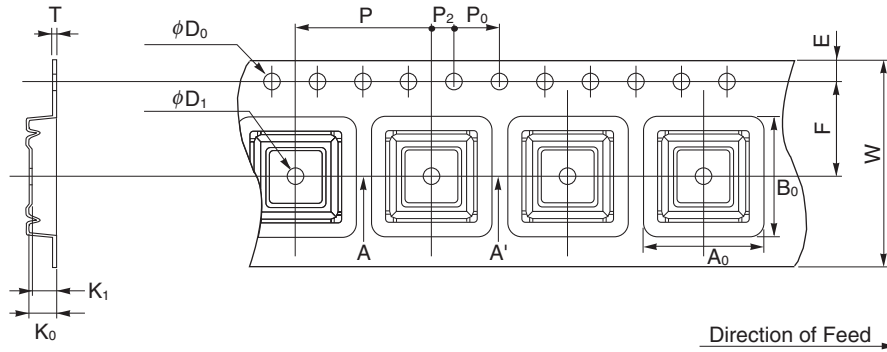


EMBOSS TAPE CONTAINER

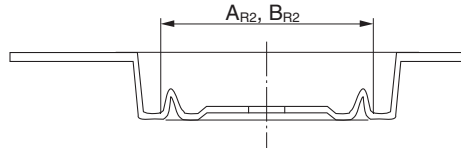
Tape Dimensions



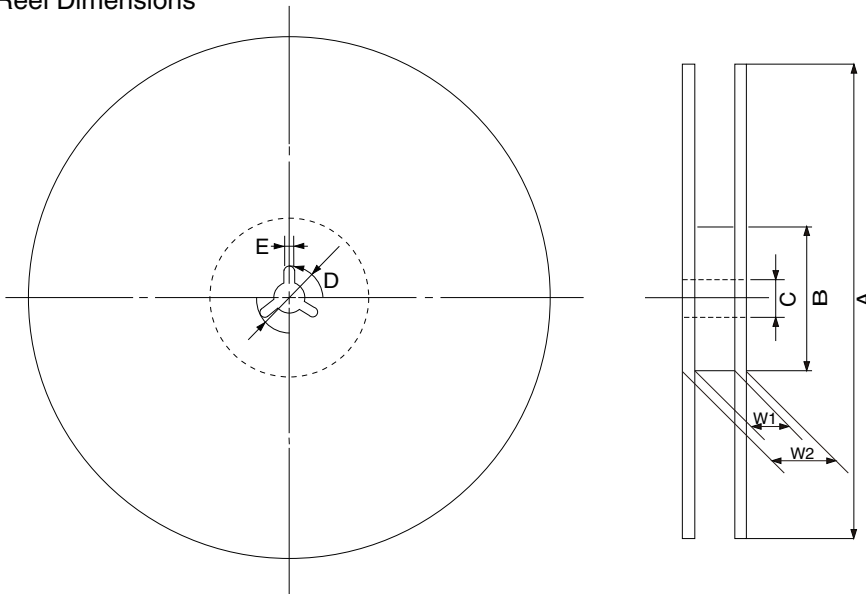
(Unit : mm)

| Symbol | Specification |
|-----------------|----------------------------------|
| A ₀ | 10.0 |
| B ₀ | 10.0 |
| K ₀ | 1.6 |
| K ₁ | 1.2 |
| W | 16.0±0.3 |
| F | 7.5±0.1 |
| E | 1.75±0.1 |
| P | 12.0±0.1 |
| P ₂ | 2.0±0.1 |
| P ₀ | 4.0±0.1 |
| D ₀ | 1.5 ^{+0.1} ₀ |
| T | 0.3 |
| D ₁ | 1.5 MIN. |
| A _{R2} | 7.55 |
| B _{R2} | 7.55 |

<SECTION A-A'>



Reel Dimensions



(Unit:mm)

| Symbol | Specification |
|----------------|---------------|
| A | φ 330±2.0 |
| B | φ 100 |
| C | φ 13.0±0.2 |
| D | φ 21.0±0.8 |
| E | 2.0±0.5 |
| W ₁ | 17.5 |
| W ₂ | 21.5 |

| Applied Package | Quantity (pcs) |
|---|----------------|
| 48-pin Plastic TQFP (Fine Pitch)(1.0mm thick) | 1,000 MAX. |
| 64-pin Plastic TQFP (Fine Pitch)(1.0mm thick) | |