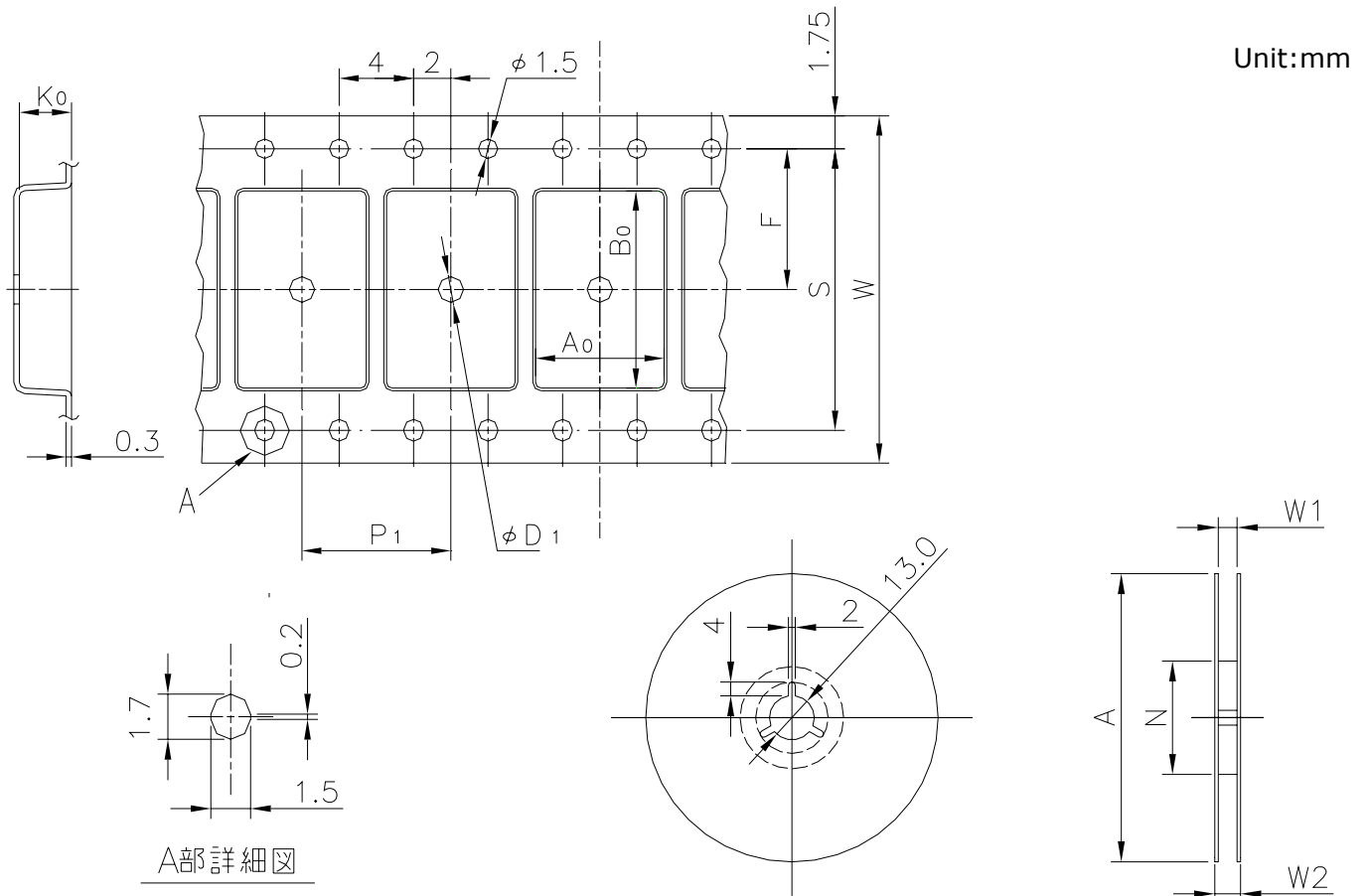


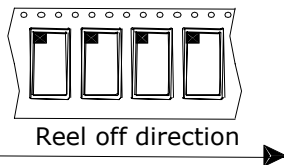
EMBOSSED TAPE

Taping Code	RENESAS Code	Previous Code
TE3216-16P	PTSA0048KA-A	48P3R-B
	PTSA0048KA-B	48P3R-C
	PTSA0048KB-A	TFP-48DA / TFP-48DAV
	PTSA0048KD-B	48P3E-B

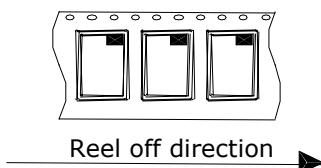


Standard Orientation of Package

The pin 1 is located in the hatching portion.



The pin 1 may also be located in the following portion for reverse bent packages and some QFPs.



Tape Dimensions (mm)	W	32
	P_1	16
	A_0	12.6
	B_0	20.4
	K_0	1.6
	F	14.2
	S	28.4
	D_1	2
Reel Dimensions (mm)	A	330
	N	100
	W_1	33.4
	W_2	37.4
Maximum storage No. IC/Reel		1000
Material		Carbon PS
Surface resistance		Less than $1 \times 10^{11} \Omega / \square$
Packing form		Dry pack