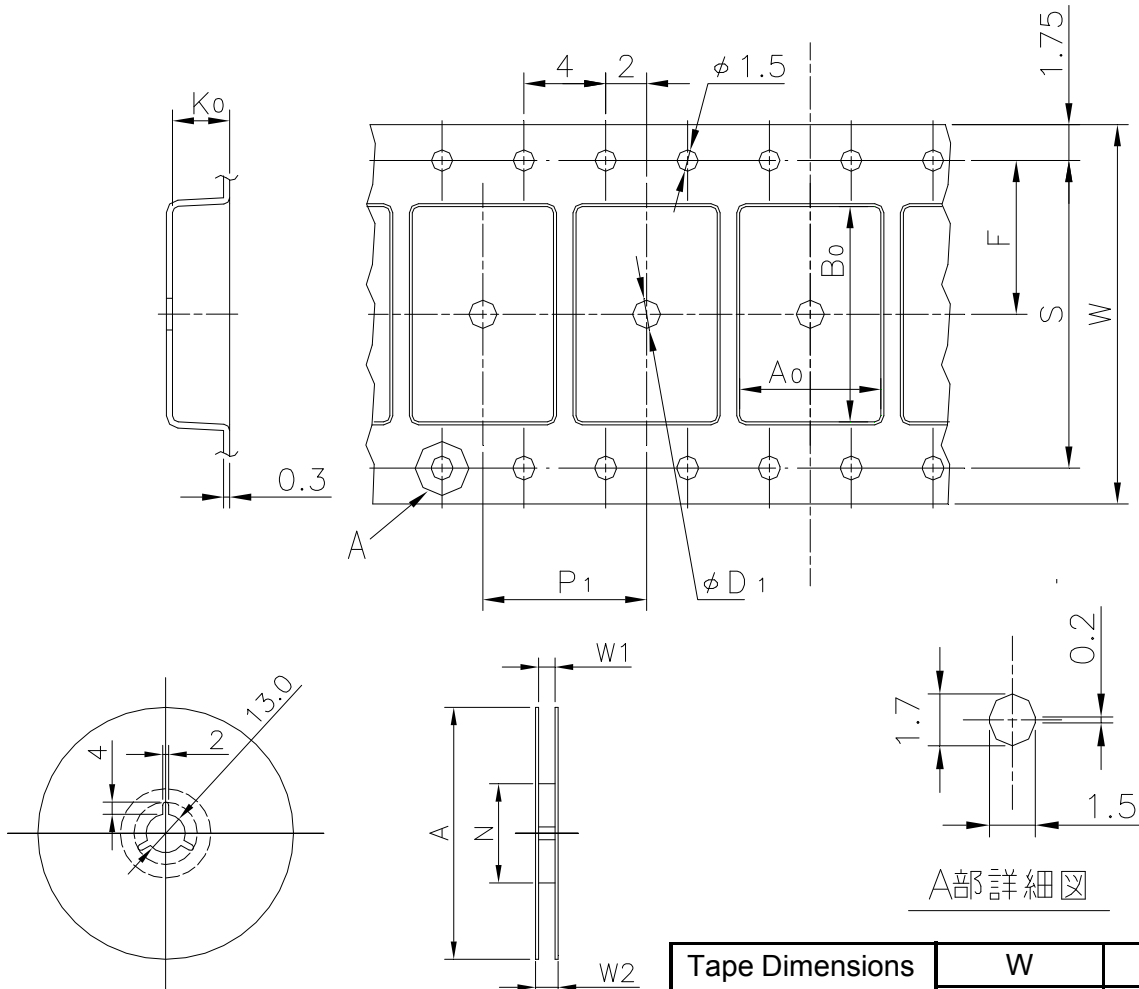


EMBOSSED TAPE

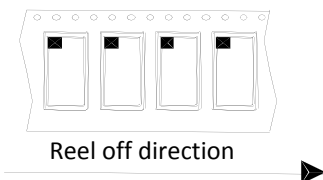
Taping code	RENESAS Code	Previous Code
MTE3216H-50P3W	PTSB0032DA-A	32P3Y-H
	PTSB0032DA-B	32P3Y-J
	PTSB0032DC-A	32PTY-A

Unit:mm

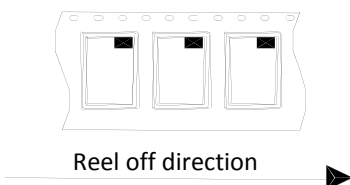


Standard Orientation of Package

The pin 1 is located in the hatching portion.



The pin 1 may also be located in the following portion for reverse bent packages and some QFPs.



Tape Dimensions (mm)	W	32
	P_1	16
	A_0	12.1
	B_0	21.45
	K_0	1.2
	F	14.2
	S	28.4
Reel Dimensions (mm)	D_1	2.05
	A	254
	N	100
	W1	33.4
	W2	37.4
Maximum storage No. IC/Reel		1000
Material		Carbon PS
Surface resistance		Less than $1 \times 10^{11} \Omega/\square$
Packing form		Dry pack