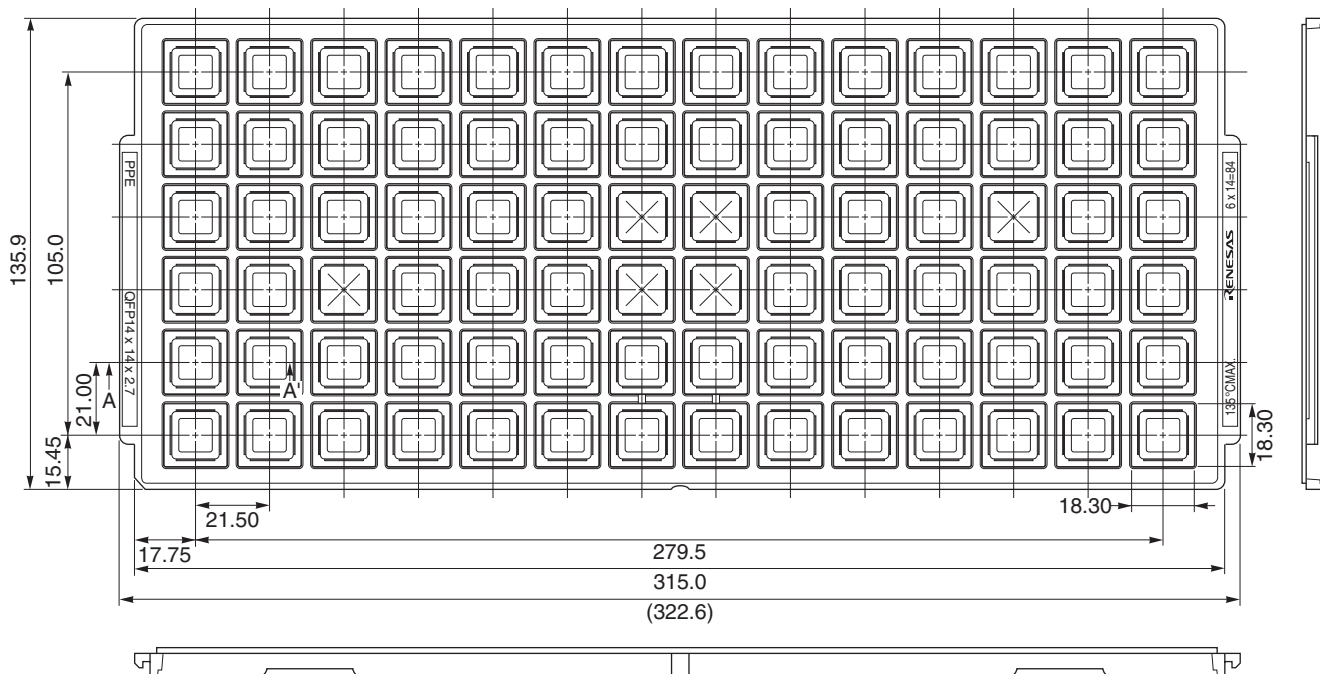
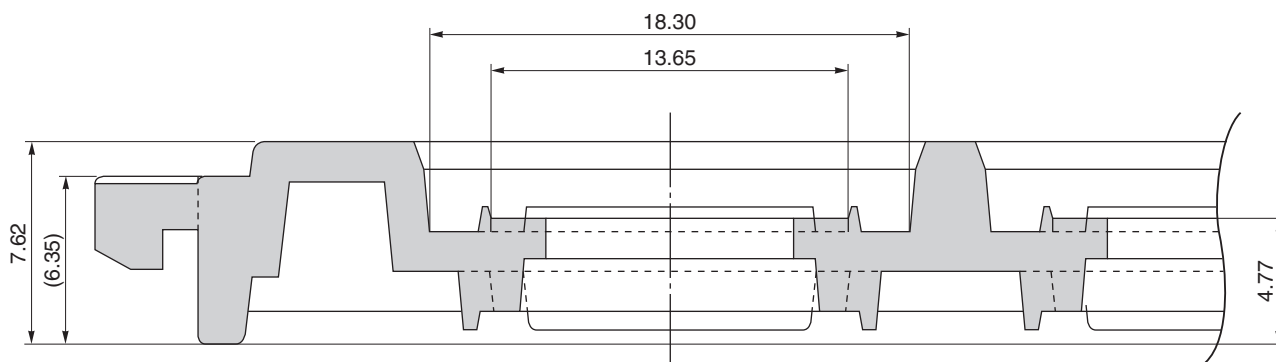


# TRAY CONTAINER

UNIT : mm



## <SECTION A-A'>



Applied Package	Quantity (pcs)
100-pin Plastic QFP (2.7mm thick)	84 MAX.

Tray	QFP 14x14x2.7
Material	Carbon PPE
Heat Proof Temp.	135°C MAX.
Surface resistance	less than $1 \times 10^{12} \Omega / \square$

The tolerance of tray's dimensions are based on JEDEC STANDARD.